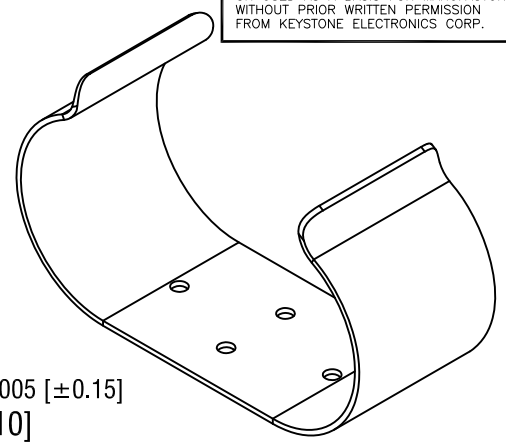
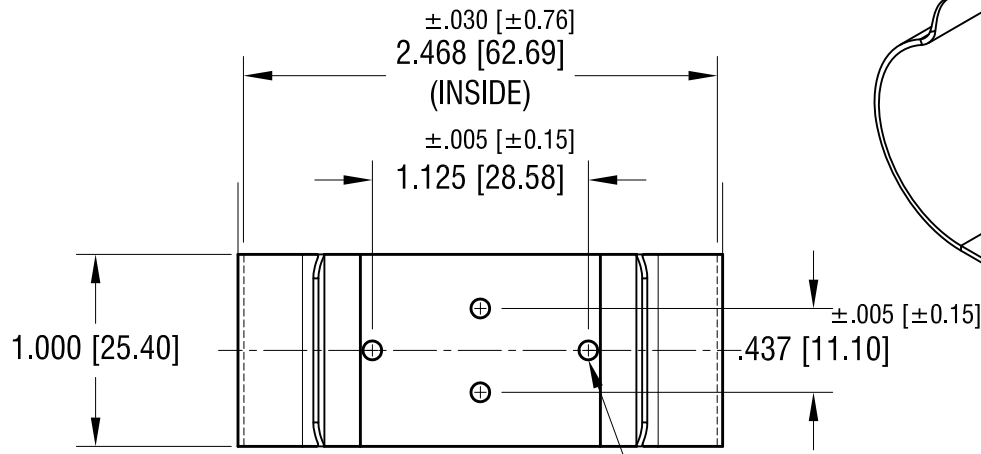
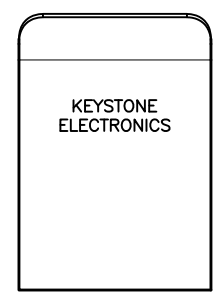
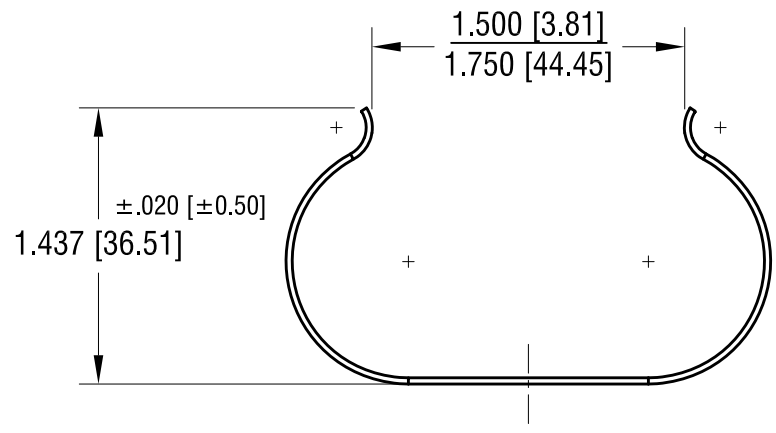


THIS DOCUMENT IS THE PROPERTY OF
KEYSTONE ELECTRONICS CORP. AND
SHALL NOT BE REPRODUCED, DISTRIBUTED
OR USED AS A BASIS FOR MANUFACTURE
WITHOUT PRIOR WRITTEN PERMISSION
FROM KEYSTONE ELECTRONICS CORP.



±.005 [±0.15]
.098 [2.49] DIA. HOLE
(4) PLS



9.21.00	CHANGE AS PER ECN 00-102	A
DATE	DESCRIPTION	REV.

KEYSTONE ELECTRONICS CORP.			
www.keyelco.com • NEW HYDE PARK NY 11040 • Tel (516)328-7500			
PART NAME			
COMPONENT CLIP, (2) "D" CELL			
MATERIAL			
.032 [0.81] TH'K ALUMINUM 2024-T3			
FINISH		DRN BY	DATE
NONE		BOONE	4.07.00
		APP'D	SCALE
		RH	1X
TOLERANCES	INCH [MM]	CODE	DWG NO.
DECIMAL	±.010 [±0.25]	C	98
ANGULAR	± 1°		
UNLESS OTHERWISE SPECIFIED			