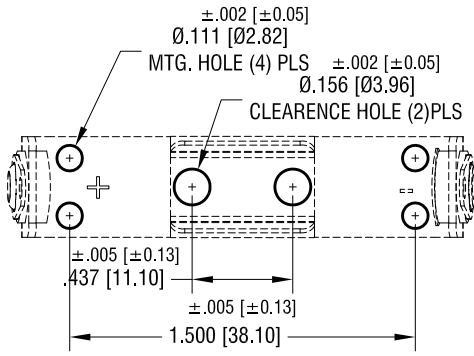
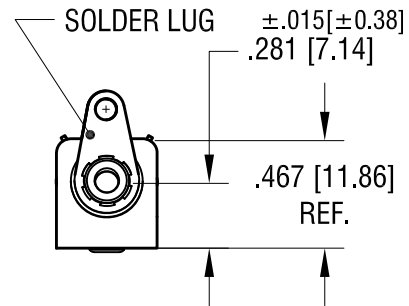
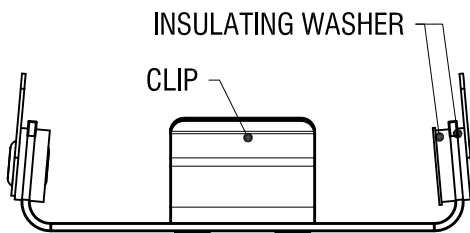
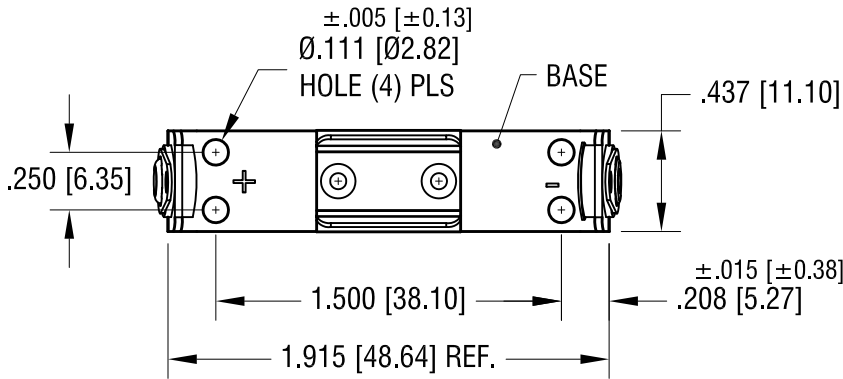
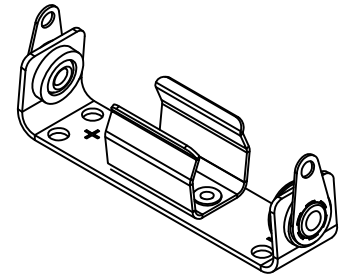


THIS DOCUMENT IS THE PROPERTY OF KEYSTONE ELECTRONICS CORP. AND SHALL NOT BE REPRODUCED, DISTRIBUTED OR USED AS A BASIS FOR MANUFACTURE WITHOUT PRIOR WRITTEN PERMISSION FROM KEYSTONE ELECTRONICS CORP.

MTG. DETAIL



ACTUAL SIZE



NOTES:

1. BASE: MAT'L - .032 [.81] TH'K ALUMINUM
2. CLIP: MAT'L - .020 [.50] TH'K ALUMINUM
3. SOLDER LUG: MAT'L - BRASS
FINISH - TIN PLATE

KEYSTONE ELECTRONICS CORP.

www.keyelco.com • NEW HYDE PARK NY 11040 • Tel (516)328-7500

PART NAME				BATTERY HOLDER (1) 'AAA'			
MATERIAL				AS NOTED			
FINISH		DRN BY		DATE		SCALE	
AS NOTED		BOONE		3.15.07		1.2X	
TOLERANCES		INCH		[MM]		CODE	
DECIMAL		$\pm .010$		[± 0.25]		DWG NO.	
ANGULAR		$\pm 1^\circ$		UNLESS OTHERWISE SPECIFIED		C	
DATE				137			

12.06.22	CHANGE AS PER ECN 22-174	A
DATE	DESCRIPTION	REV.