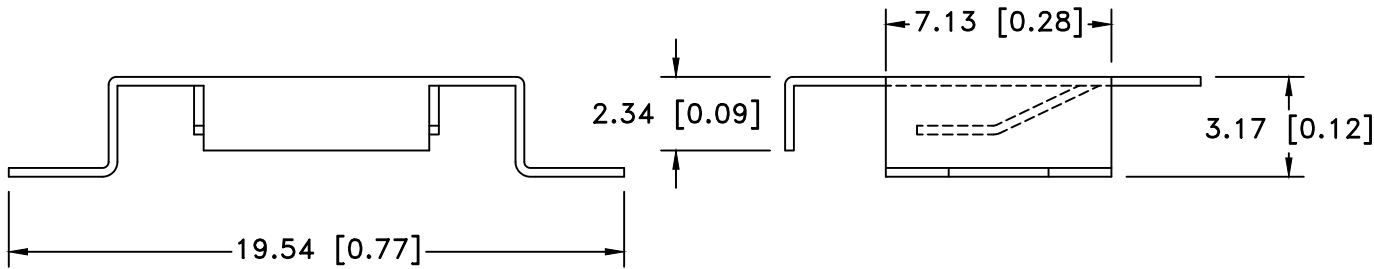
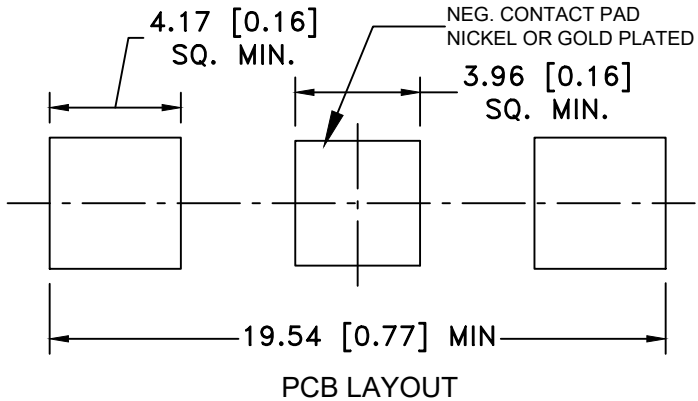
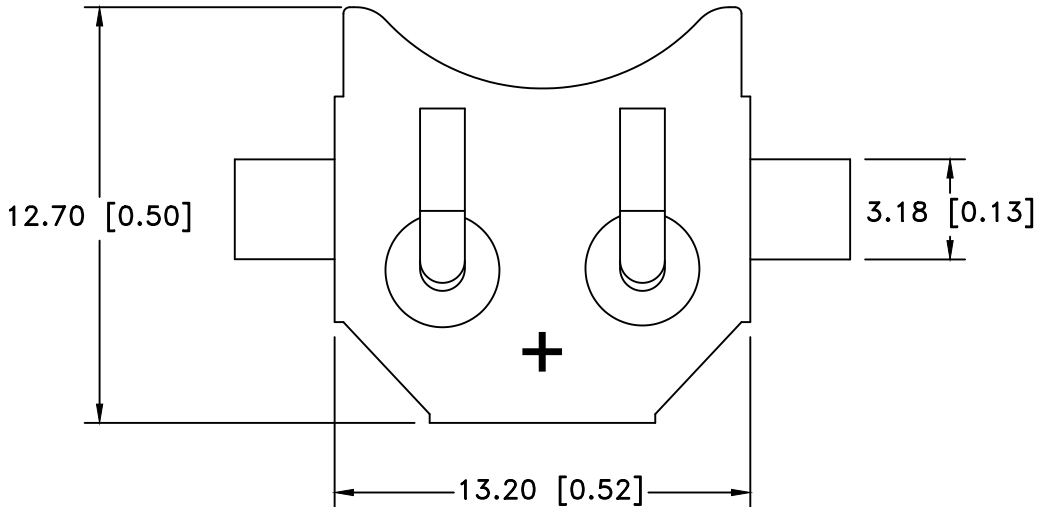


Date	SYM	REVISION RECORD	AUTH	DR.	CK.
05/06/16	F	ADDED BATTERY NUMBER NOTE FOR NEG. CONTACT	T.B.	B.S.	
10/31/19	G	ADDED WEIGHT OF THE PART	T.B.	B.S.	



NOTES:

- 1. MATERIAL:
0.25mm PHOSPHOR BRONZE, NICKEL PLATED.
APPROXIMATE WEIGHT: 0.42g
- 2. ROHS COMPLIANT

Tolerance (Except as noted)	Memory Protection Devices, Inc 200 Broad Hollow Road, Farmingdale, New York 11735		
	decimal ±.5 (.020)	Scale	Drawn By B.S. Approved By T.B.
Fractional ± .8 (.030)	Title COIN CELL RETAINER FOR 12mm DIA. BATTERIES		
Angular ± 3°	Date 10/31/19	Drawing Number BK-885	

CELL SIZE	RETAINS BATTERY NUMBERS
12mm	BR1216, CR1216, BR1220, CL1220, CR1220, BR1225, CR1225