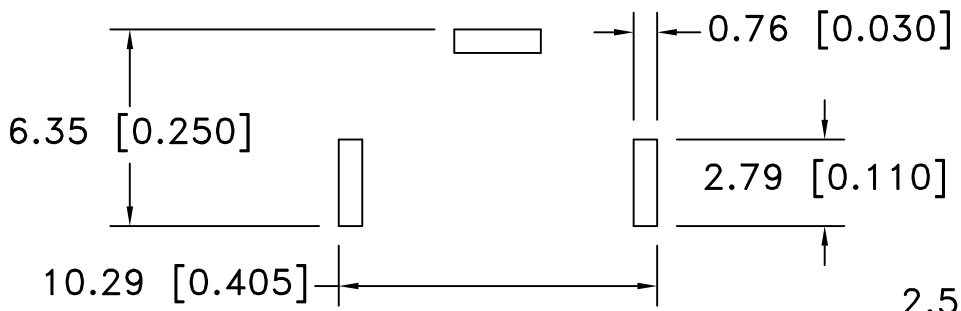
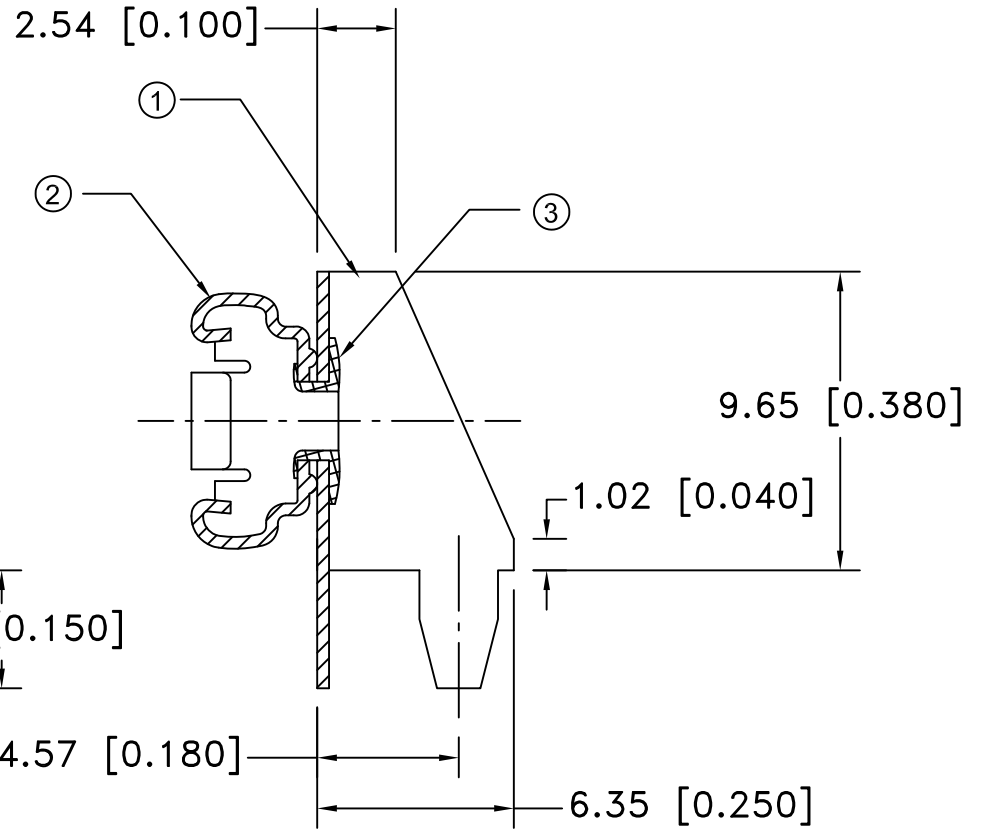
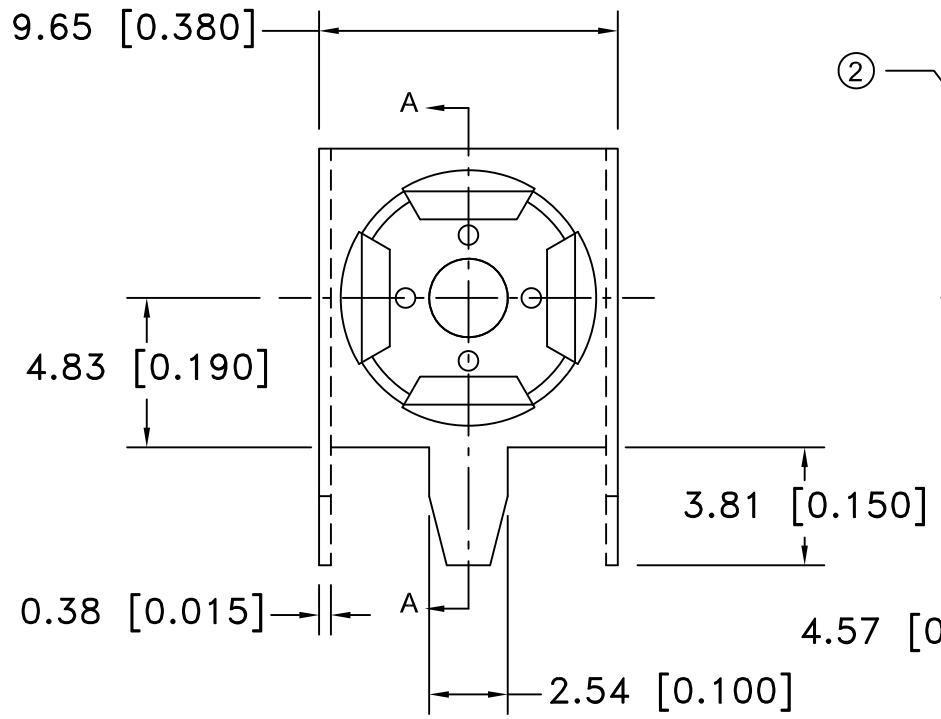



Date	SYM	REVISION RECORD	AUTH	DR.	CK.
5/26/07	A	ADDED "ROHS COMPLIANT"	T.B.	B.S.	
6/14/13	B	CHANGED PCB LAYOUT TO SLOT	T.B.	B.S.	
8/12/16	C	DELETED DIM. 1.58 ADDED DIM. 3.81	T.B.	B.S.	



PCB LAYOUT



N0.	PART NO.	PART NAME	MATERIAL	QTY.
1		FRAME	STEEL-TIN PLTD	1
2	BSF-HD	FEMALE SNAP	BRASS, NICKLE PLATED	1
3	BSR	RIVET	BRASS NICKLE PLATED	1

<p>ROHS 2 COMPLIANT</p>	<p>Tolerance (Except as noted)</p>	 Memory Protection Devices, Inc 200 Broad Hollow Road, Farmingdale, New York 11735	
	<p>decimal ±.5 (.020)</p>	<p>Scale</p>	<p>Drawn By B.S.</p>
	<p>Fractional ± .8 (.030)</p>	<p>Title 9 VOLT FEMALE PRINTED CIRCUIT SNAP-ONS</p>	
	<p>Angular ± 3°</p>	<p>Date 8/12/16</p>	<p>Drawing Number BSPCF</p>

Approved By T.B.