

FPM-6104

FEATURES

- ✓ 10.4" TFT LCD Display, Resolution: 800*600
- ✓ Optional Resistive Touch Screen
- ✓ Supports VGA/DVI Input
- ✓ Front Panel Using the Portable OSD Menu Setting
- ✓ Supporting Variety Mounting: Panel, VESA, Rackmount

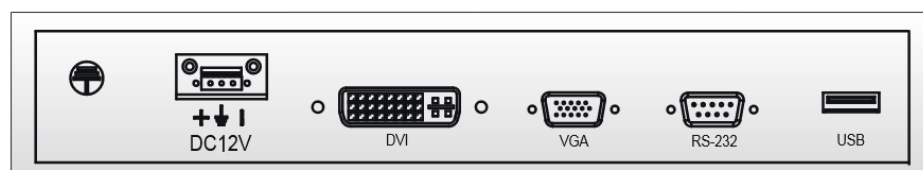
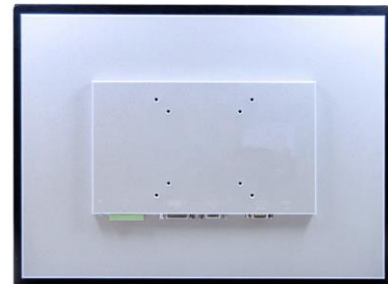


INTRODUCTION

FPM-6104 is a 10.4" industrial monitor, being equipped with high performance industrial motherboard and aluminum alloy panel , it can meet various demands of harsh industrial applications.

FPM-6104-T features enhanced 4-wire resistive touch screen and FPM-6104-NT is protected with tempered glass and without touch function.

PICTURE



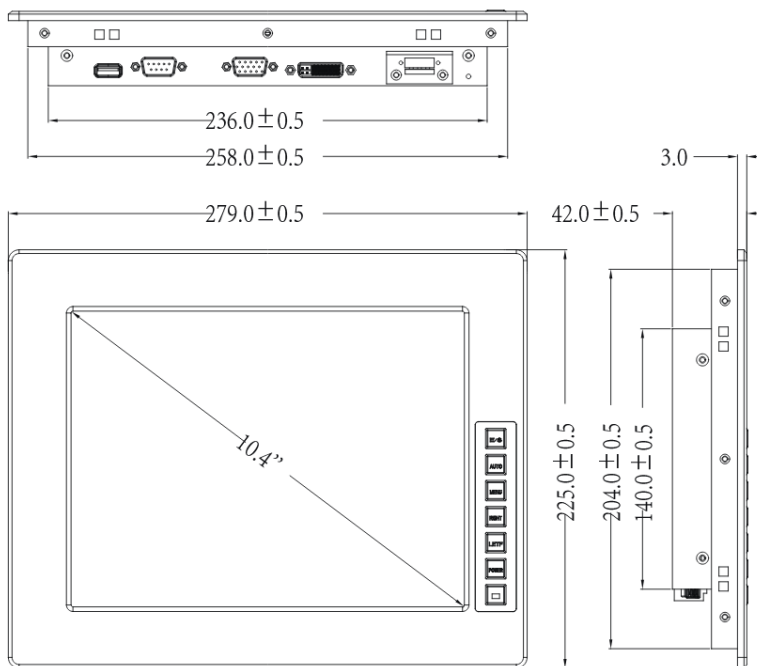
FPM-6104

TECH SPECS

General	Display Size	10.4" TFT-Panel
	Mounting	Rack, VESA, Panel
	Interfaces	1xRS232, 1xUSB, 1xDVI, 1xVGA
	Power supply	12V DC
	Power consumption	12W
	Dimension (WxHxD)	279*225*42 mm
	Net Weight	2.5 kgs
Touch screen	Type	4-wire resistive
	Driver	PM6000
	Knocking life	$\geq 10^6$ times with a silicone rubber R8 finger, writing rate is by 250g at 2 times/s
	Stroke Life	$\geq 10^5$ times
LCD	Type	10.4" TFT
	Resolution	800*600
	Luminance	300cd/m ²
	LCD life	50,000 hours
	Backlight life	30,000 hours
	Contrast Ratio	60%
	Viewing Angle(H/V°)	150/120
Environment	Operation Temp.	0 - 50°C
	Storage temp.	-20 - 70°C
	Vibration	8gn-200hz

FPM-6104

DIMENSIONS & I/O LOCATION



PACKING LIST

Item	Quantity
FPM-6104	1
User Manual	1

ORDERING INFORMATION

Model	Description
FPM-6104-T	Monitor 10.4", VGA, DVI with Resistive Touchscreen
FPM-6104-NT	Monitor 10.4", VGA, DVI with Tempered Glass
PSC-FPM3	Power Adapter 9-30V DC, 5A
Power Cable	1m