

TPC-8170S

FEATURES

- ✓ Industrial 17" XGA TFT LCD
- ✓ Completely Isolated I/O Interfaces
- ✓ Intel Quad Core Low-power Consumption Processor
- ✓ Compact Fanless Design with Aluminum Magnesium Alloy Enclosure
- ✓ Resistive Touch Screen



INTRODUCTION

The TPC-8170S touch panel pc with a 17" TFT LCD, embedded low power consumption dual core CPU, it is a high performance PC which meet various demands of harsh industrial applications.

PICTURE



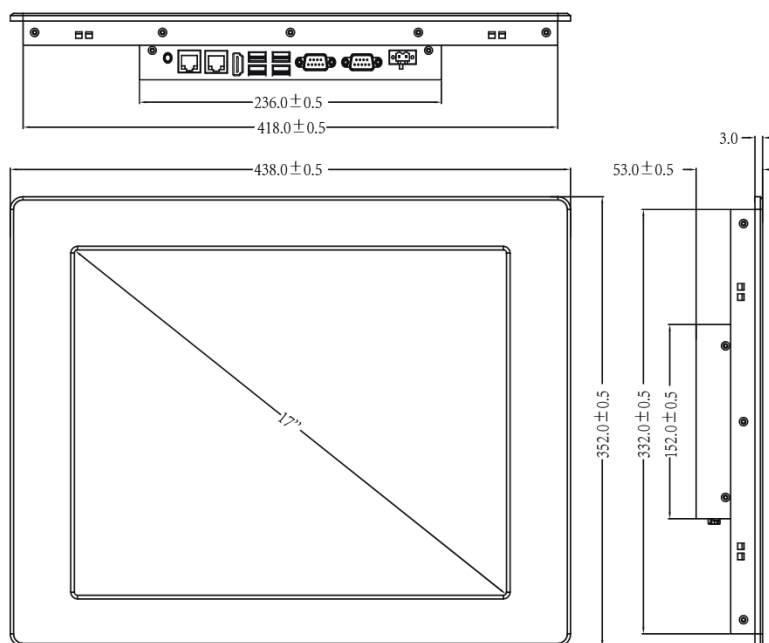
TPC-8170S

TECH SPECS

General	Display Size	17" TFT-Panel
	CPU	Embedded dual core J1900
	Chipset	Intel Bay Trail
	BIOS	SPI 64M
	Graphics	Intel® HD4000/5000/6000 Graphics
	Display Memory	Shared memory with RAM
	RAM	4GB Onboard
	Storage	32GB SSD, up to 128 GB
	Network	2 x Intel I210 GbE LAN
	I/O Interface	4 x USB2.0 Port, 1 x RS232/RS485, 3 x RS232, 1 x support HDMI, 2 x GigaLAN
	Expansion	GPIO 12 bit programmer, 3.3V@24mA 1 * Mini-PCIe socket, Support 3G/4G Module
	Watchdog Timer	Programmable 1 ~ 255 sec; Support System Reset
	Mounting	Panel, VESA 75*75, 100*100
	Power Supply	9-30 V DC
	Power Interface	2pin Phoenix
	Operating System	WIN7 / 8 / 10, Linux
Dimension (WxHxD)	438×352×53mm	
Net Weight	5.5kgs	
Touch screen	Type	5-wire resistive
	Knocking Life	≥10 ⁶ times with a silicone rubber R8 finger, writing rate is by 250g at 2 times/s
	Stroke Life	≥100000 times
LCD	Size	17" TFT
	Resolution	1280*1024
	Luminance	250cd/m ²
	LCD life	50,000 hours
	Backlight Life	30,000 hours
Environment	Operation Temperature	-20 - 70°C
	Storage Temperature	-30 - 80°C
	Relative Humidity	5%~90%@50°C
	Shock	peak acceleration 150m/s ²
	Vibration	Displacement amplitude of 10~57Hz is 0.075mm
		Peak acceleration of 57~150Hz is 9.8m/s ²
Impulse Width	10ms, half sinusoid	

TPC-8170S

DIMENSIONS & I/O LOCATION



PACKING LIST

Item	Quantity
TPC-8170S	1
Ground Wire	1
User Manual	1

ORDERING INFORMATION

Model	Description
TPC-8170S	TPC-8170S 17" Industrial Panel PC
SSD - 32G/ 64G/ 128G	32G SSD/ 64G SSD/ 128G for TPC-8170S
PCS-2018	Power Supply and Power Cord for TPC-8170S