

## TPC-2101S

### FEATURES

- ✓ Industrial 10.1" TFT LCD, Capacitive Touch Screen
- ✓ Intel Low Power Consumption J1900 Quad Core CPU
- ✓ Built in 4GB RAM
- ✓ 32GB SSD ( up to 128GB)
- ✓ Compact Fanless Design with Fully Enclosed Metal Construction



### INTRODUCTION

The TPC-2101S touch panel pc with a 10.1 " TFT LCD, embedded Intel low power consumption J1900 Quad core CPU, it is an embedded PC which meet various demands of harsh industrial applications.

### PICTURE



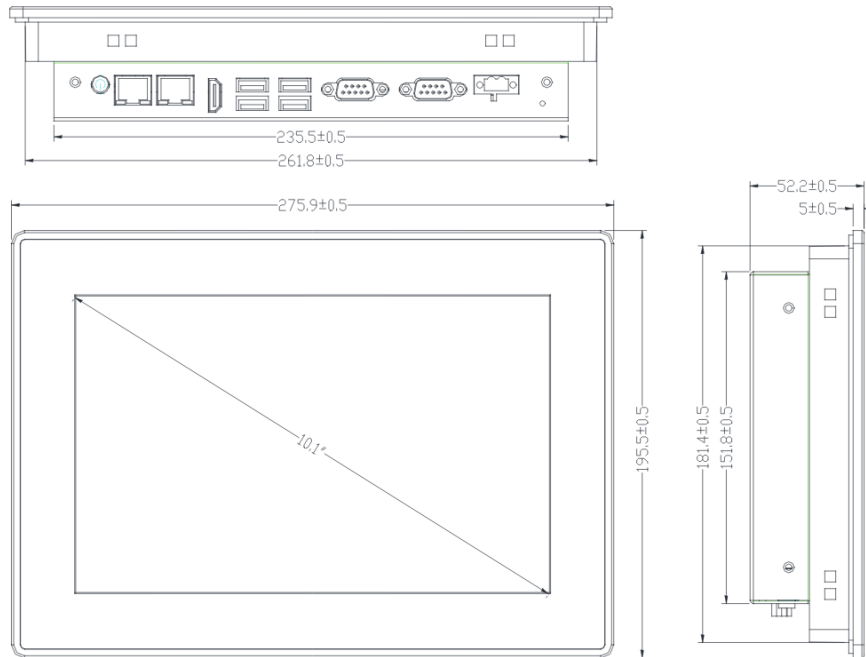
# TPC-2101S

## TECH SPECS

<b>General</b>	Display Size	10.1" TFT-Panel
	CPU	Embedded Dual Core J1900
	Chipset	Intel Bay Trail
	BIOS	SPI 64M
	Graphics	Intel® HD4000/5000/6000 Graphics
	Display Memory	Shared Memory with RAM
	RAM	Built in 4 GB
	Storage	32GB SSD, up to 128 GB
	Network	2*LAN
	I/O Interface	4*USB2.0 Port, 1* HDMI, 1 x RS232/ RS485, 3x RS232
	Mounting	Panel, VESA 75*75, 100*100
	Power Supply	9-30 V DC
	Power Interface	2pin Phoenix
	Operating System	WIN7 / 8 / 10
	Dimension (WxHxD)	276*196*52.2mm
Net Weight	2kgs	
<b>Touch screen</b>	Type	10 Points Capacitive
	Knocking Life	≥10 <sup>8</sup> times at the same location, writing rate is at 22times/s
	Stroke Life	≥35 million times
<b>LCD</b>	Size	10.1" TFT
	Resolution	1280*800
	Luminance	350cd/m <sup>2</sup>
	LCD life	50,000 hours
	Backlight Life	30,000 hours
<b>Environment</b>	Operation Temperature	0 - 50°C
	Storage Temperature	-20 - 70°C
	Relative Humidity	5%~90%@50°C
	Shock	peak acceleration 150m/s <sup>2</sup>
	Vibration	Displacement amplitude of 10~57Hz is 0.075mm
		Peak acceleration of 57~150Hz is 9.8m/s <sup>2</sup>
	Impulse Width	10ms, half sinusoid

# TPC-2101S

## DIMENSIONS & I/O LOCATION



## PACKING LIST

Item	Quantity
TPC-2101S	1
Ground Wire	1
User Manual	1

## ORDERING INFORMATION

Model	Description
TPC-2101S	TPC-2101S 10.1" Industrial Panel PC
SSD - 32G/ 64G/ 128G	32G SSD/ 64G SSD/ 128G SSD for TPC-2101S
PCS-2018	Power Supply and Power Cord for TPC-2101S