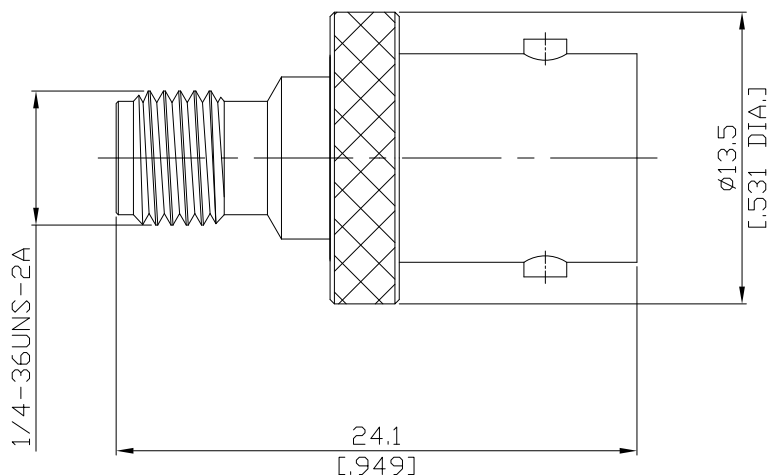


Adaptor jack/jack
SMA jack (female) / BNC jack (female)

AD-A2B25A/91-93



All dimensions are in mm [inch]

Tolerances according to DIN ISO 2768-mH

Interface

According to

SMA Side: IEC 60169-15; MIL-C-39012; MIL-STD-348A/310

BNC Side: IEC 60169-8; CECC 22120; MIL-C-39012; MIL-STD-348A/301

Electrical Data

Impedance

50 Ω

Frequency

DC to 6 GHz

VSWR (Return Loss)

DC-4 GHz: ≤ 1.15 (≥ 23.13 dB) 4-6 GHz: ≤ 1.2 (≥ 20.83 dB)

Insertion Loss

≤ 0.05 x √F (GHz) dB

Mechanical Data

Coupling mechanisms

SMA (Screw-lock); BNC (Bayonet-lock)

Weight

0.0064 kg

Environmental Data

Temperature range

-65°C to +165°C

RoHS

compliant

Material And Plating

Piece Parts (SMA)	Material	Plating
Centre contact	Beryllium Copper	Gold plating(Nickel underplated)
Body	Brass	Gold plating(Nickel underplated)
Insulator	PTFE	
Piece Parts (BNC)	Material	Plating
Centre contact	Beryllium Copper	Gold plating(Nickel underplated)
Body	Brass	Nickel
Insulator	PTFE	

Packing

Single or 100