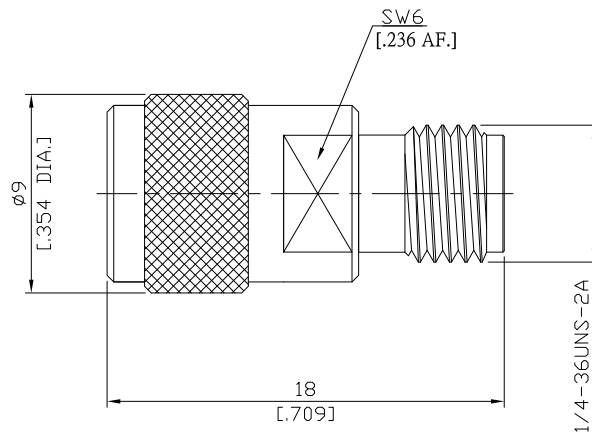


**Adaptor Plug / Jack**  
SMA Snap-on plug (male) / SMA jack (female)

**AD-AQ1A25A/99X-9X**



All dimensions are in mm [inch]  
Tolerances according to DIN ISO 2768-mH

**Interface**

According to IEC 60169-15; MIL-C-39012; MIL-STD-348A/310

**Electrical Data**

Impedance 50  $\Omega$   
Frequency DC to 18 GHz  
VSWR (Return Loss)  $\leq 1.15$  ( $\geq 23.1$  dB)  
Insertion Loss  $\leq 0.05 \times \sqrt{F}$  (GHz) dB

**Mechanical Data**

Coupling mechanisms SMA Snap-On male (Snap-lock), SMA female (Screw-lock)  
Weight 0.004 kg

**Environmental Data**

Temperature range -65°C to +165°C  
RoHS compliant

**Material And Plating**

Piece Parts (SMA Snap-On)	Material	Plating
Centre contact	Beryllium Copper	Gold plating(Nickel underplated)
Body	Beryllium Copper	Gold plating(Nickel underplated)
Insulator	PTFE	
Gasket	Silicone Rubber	
Coupling nut	Stainless Steel	Passivated
Piece Parts (SMA)	Material	Plating
Centre contact	Beryllium Copper	Gold plating(Nickel underplated)
Body	Stainless Steel	Passivated
Insulator	PTFE	

**Packing**

Single or 100