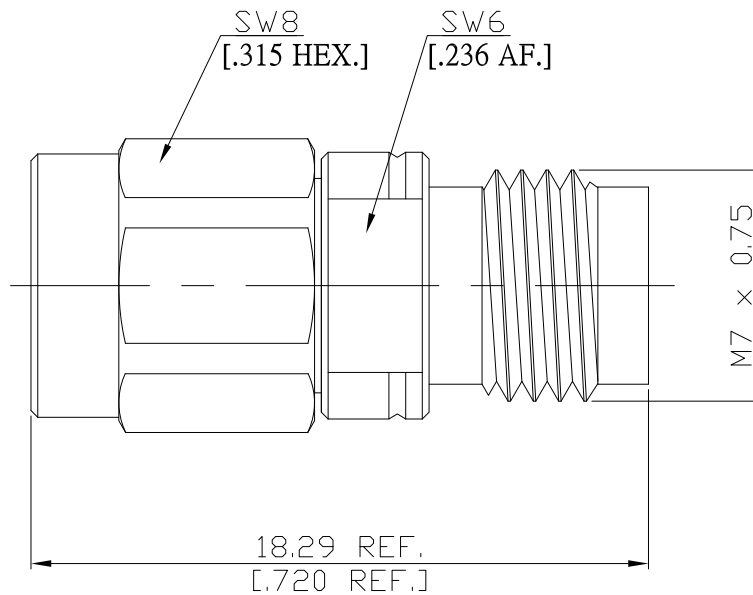


Adaptor plug/jack
2.92mm plug (male) / 2.4mm jack (female)

AD-K1Q25A/9XX-9X



All dimensions are in mm [inch]
Tolerances according to DIN ISO 2768-mH

Interface

2.4mm according to IEC 61169-40
2.92mm according to IEC 61169-35

Electrical Data

Impedance 50 Ω
Frequency DC to 40 GHz
VSWR (Return Loss) ≤ 1.15 (≥ 23 dB)
Insertion Loss ≤ 0.05 x √F [GHz] dB

Mechanical Data

Coupling mechanisms 2.92mm (Screw-lock); 2.4mm (Screw-lock)
Weight N/A

Environmental Data

Temperature range -60°C to +100°C
RoHS compliant

Material And Plating

Piece Parts (2.92mm)	Material	Plating
Centre contact	Beryllium Copper	Gold plating (Nickel underplated)
Body	Stainless Steel	Passivated
Insulator	PS	
Coupling nut	Stainless Steel	Passivated
Piece Parts (2.4mm)	Material	Plating
Centre contact	Beryllium Copper	Gold plating (Nickel underplated)
Body	Stainless Steel	Passivated
Insulator	PS	

Packing

Single or 100