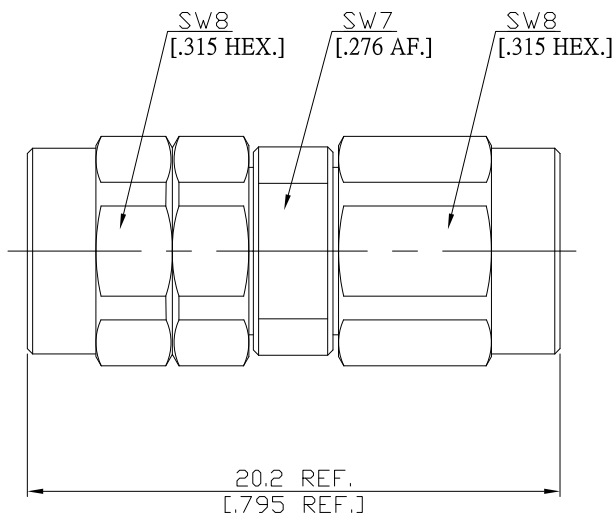


Adaptor plug/plug
2.4mm plug (male) / 3.5mm plug (male)

AD-Q1PC15A/9XX-9XX



All dimensions are in mm [inch]
Tolerances according to DIN ISO 2768-mH

Interface

2.4mm according to IEC 61169-40
3.5mm according to IEC 60169-23

Electrical Data

Impedance 50 Ω
Frequency DC to 34.5 GHz
VSWR (Return Loss) ≤ 1.15 (≥ 23.13 dB)
Insertion Loss ≤ 0.05 x √F [GHz] dB

Mechanical Data

Coupling mechanisms Screw-lock
Weight N/A

Environmental Data

Temperature range -60°C to +100°C
RoHS compliant

Material And Plating

Piece Parts (2.4mm)	Material	Plating
Centre contact	Beryllium Copper	Gold plating (Nickel underplated)
Body	Stainless Steel	Passivated
Insulator	PS	
Coupling nut	Stainless Steel	Passivated
Piece Parts (3.5mm)	Material	Plating
Centre contact	Beryllium Copper	Gold plating (Nickel underplated)
Body	Stainless Steel	Passivated
Insulator	PS	
Coupling nut	Stainless Steel	Passivated

Packing

Single or 100