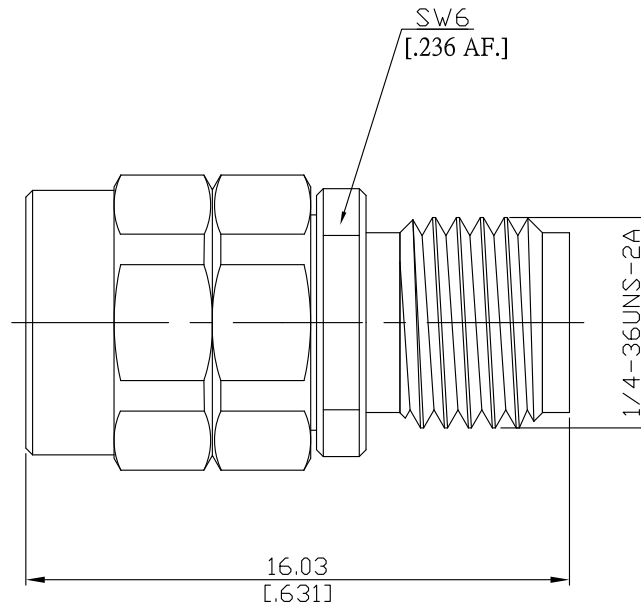


Adaptor plug/jack
2.4mm plug (male) / 2.92mm jack (female)

AD-Q1K25A/9XX-9X



All dimensions are in mm [inch]

Tolerances according to DIN ISO 2768-mH

Interface

2.4mm according to IEC 61169-40, IEEE Std 287-2007
2.92mm according to IEC 61169-35, IEEE Std 287-2007

Electrical Data

Impedance 50 Ω
Frequency DC to 40 GHz
VSWR (Return Loss) ≤ 1.15 (≥ 23.1 dB)
Insertion Loss ≤ 0.05 x √F [GHz] dB
Voltage 500 V rms

Mechanical Data

Coupling mechanisms 2.4mm (Screw-lock); 2.92mm (Screw-lock)
Weight N/A

Environmental Data

Temperature range -55°C to +165°C
RoHS compliant

Material And Plating

Piece Parts (2.4mm)	Material	Plating
Centre contact	Beryllium Copper	Gold plating (Nickel underplated)
Body	Stainless Steel	Passivated
Insulator	PEI	
Coupling nut	Stainless Steel	Passivated
Piece Parts (2.92mm)	Material	Plating
Centre contact	Beryllium Copper	Gold plating (Nickel underplated)
Body	Stainless Steel	Passivated
Insulator	PEI	

Packing

Single or 100