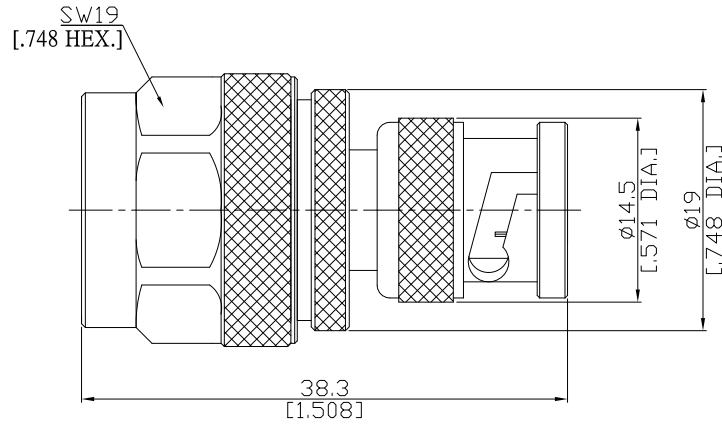


Adaptor Plug / Plug
N plug (male) / BNC plug (male)

AD-N1B15A/144-144



All dimensions are in mm [inch]
Tolerances according to DIN ISO 2768-mH

Interface

According to IEC 60169-16; MIL-C-39012; MIL-STD-348A/304
IEC 60169-8; MIL-C-39012; MIL-STD-348A/301

Electrical Data

Impedance 50 Ω
Frequency DC to 4 GHz
VSWR (Return Loss) ≤ 1.15 (≥ 23.1 dB)
Insertion Loss ≤ 0.05 x √F (GHz) dB

Mechanical Data

Coupling mechanisms N (Screw-lock) ; BNC (Bayonet-lock)
Weight 0.0405 kg

Environmental Data

Temperature range -65°C to +165°C
RoHS compliant

Material And Plating

Piece Parts (N)	Material	Plating
Centre contact	Brass	Gold plating(Nickel underplated)
Body	Brass	Copper-Tin-Zinc Alloy
Insulator	PTFE	
Gasket	Silicone Rubber	
Coupling nut	Brass	Copper-Tin-Zinc Alloy

Piece Parts (BNC)	Material	Plating
Centre contact	Brass	Gold plating(Nickel underplated)
Body	Brass	Copper-Tin-Zinc Alloy
Insulator	PTFE	
Gasket	Silicone Rubber	
Coupling nut	Brass	Copper-Tin-Zinc Alloy

Packing

Single or 100