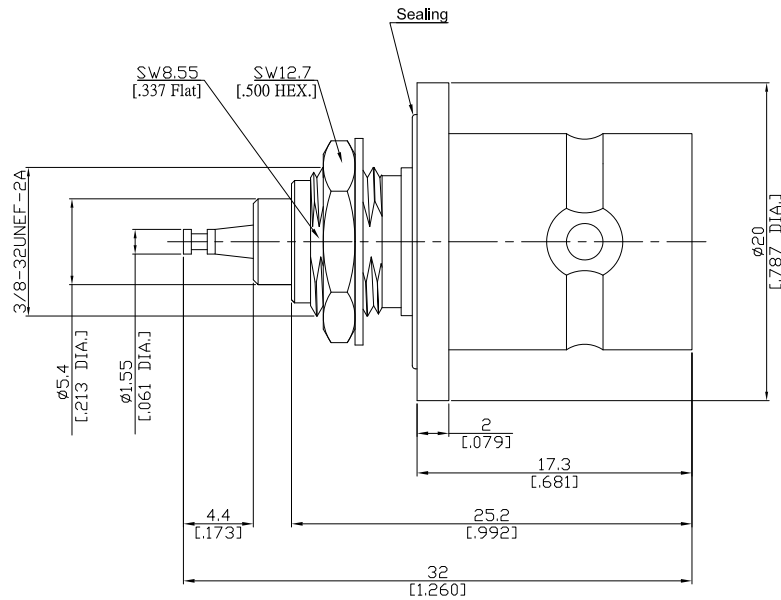




C Straight Bulkhead Receptacle Jack  
Coaxial End

C2FA50-3200A/H4



All dimensions are in mm [inch]  
Tolerances according to DIN ISO 2768-mH

**Interface**  
According to MIL-C-39012;MIL-STD-348A/302

**Electrical Data**  
Impedance 50 Ω  
Frequency DC to 11 GHz

**Mechanical Data**  
Coupling mechanisms Two-stud bayonet  
Weight 0.0094 kg

**Environmental Data**  
Temperature range -65°C to +165°C  
RoHS compliant

Material And Plating		
Piece Parts	Material	Plating
Centre contact	Phosphor Bronze	Gold plating(Nickel underplated)
Body	Brass	Copper-Tin-Zinc Alloy
Insulator	PTFE	
Gasket	Silicone Rubber	
Fastening nut	Brass	Copper-Tin-Zinc Alloy
Washer	Brass	Copper-Tin-Zinc Alloy

**Packing**  
Single or 100

**Related Document**  
Mounting Dimension MD18