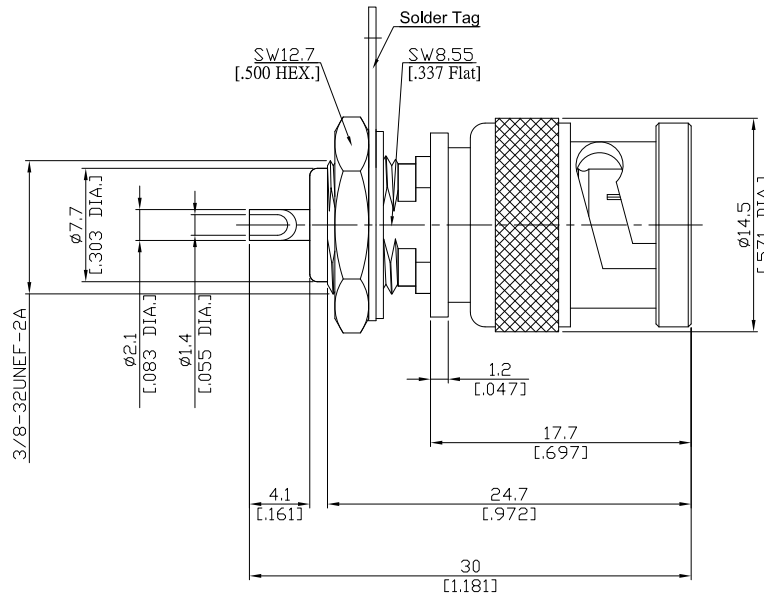


**BNC Straight Bulkhead Receptacle Plug  
Solder End**

**BNC1FB70-3000A/144**



All dimensions are in mm [inch]  
Tolerances according to DIN ISO 2768-mH

**Interface**

According to IEC 61169-8; MIL-C-39012; MIL-STD-348A/301

**Electrical Data**

Impedance 75 Ω  
Frequency DC to 1 GHz

**Mechanical Data**

Coupling mechanisms Bayonet-lock  
Weight 0.0139 kg

**Environmental Data**

Temperature range -65°C to +165°C  
RoHS compliant

**Material And Plating**

Piece Parts	Material	Plating
Centre contact	Brass	Gold plating(Nickel underplated)
Body	Brass	Copper-Tin-Zinc Alloy
Insulator	PTFE	
Gasket	Silicone Rubber	
Coupling nut	Brass	Copper-Tin-Zinc Alloy
Solder tag	Brass	Copper-Tin-Zinc Alloy
Fastening nut	Brass	Copper-Tin-Zinc Alloy
Washer	Brass	Copper-Tin-Zinc Alloy

**Packing**

Single or 100

**Related Document**

Mounting Dimension MD18