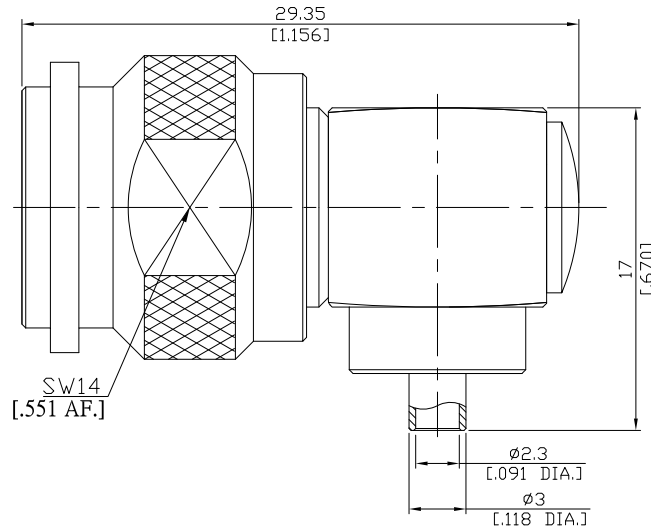


TNC Right Angle Cable Plug

TNC1E59-0085A/144



All dimensions are in mm [inch]
Tolerances according to DIN ISO 2768-mH

Interface
According to MIL-C-39012;MIL-STD-348A/313

Electrical Data
Impedance 50 Ω
Frequency DC to 11 GHz

- Limitations are possible due to the used cable type -

Mechanical Data
Coupling mechanisms Screw-lock
Centre contact Soldered
Cable entry Soldered

Environmental Data
Temperature range -65°C to +165°C
RoHS compliant

Material And Plating

Connector parts	Material	Plating
Centre contact	Brass	Gold plating(Nickel underplated)
Body	Brass	Copper-Tin-Zinc Alloy
Insulator	PTFE	
Gasket	Silicone Rubber	
Coupling nut	Brass	Copper-Tin-Zinc Alloy

Suitable Cables
RSR-085, RSF-085, RSF-0485-FEP, UT 85, RG 405/U, RTK- FS 085, RTK- Flex 405, BELDEN 1671A

Packing
Single or 100