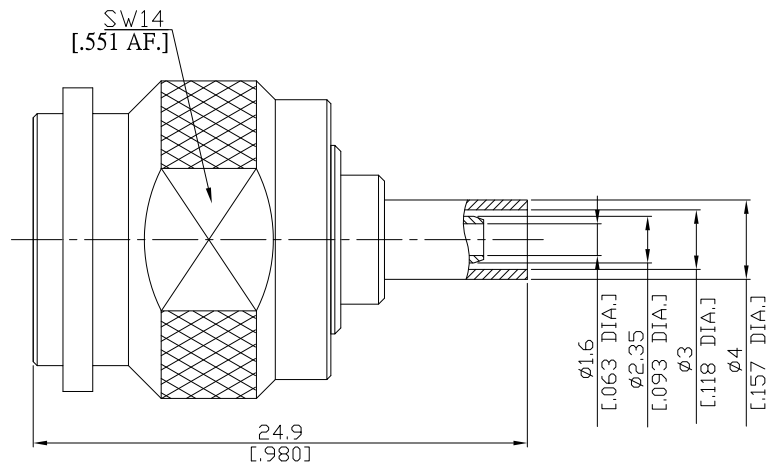


TNC Straight Cable Plug

TNC1C50-G316A/144



All dimensions are in mm [inch]

Tolerances according to DIN ISO 2768-mH

**Interface**

According to IEC 60169-17; MIL-C-39012; MIL-STD-348A/313

**Electrical Data**

Impedance 50 Ω  
 Frequency DC to 11 GHz  
 VSWR (Return Loss) ≤ 1.08 (≥ 28.3 dB), DC to 1 GHz  
 ≤ 1.22 (≥ 20.1 dB), 1 to 2 GHz  
 ≤ 1.29 (≥ 17.9 dB), 2 to 11 GHz  
 Insertion Loss ≤ 0.05 x √F (GHz) dB

- Limitations are possible due to the used cable type and manufacturing process -

**Mechanical Data**

Coupling mechanisms Screw-lock  
 Centre contact Crimped or Soldered  
 Cable entry Crimped

**Environmental Data**

Temperature range -65°C to +165°C  
 RoHS compliant

**Material And Plating**

| Connector parts | Material        | Plating                          |
|-----------------|-----------------|----------------------------------|
| Centre contact  | Brass           | Gold plating(Nickel underplated) |
| Body            | Brass           | Copper-Tin-Zinc Alloy            |
| Insulator       | PTFE            |                                  |
| Gasket          | Silicone Rubber |                                  |
| Coupling nut    | Brass           | Copper-Tin-Zinc Alloy            |
| Crimp ferrules  | Brass           | Copper-Tin-Zinc Alloy            |

**Suitable Cables**

RG-174, RG-188A, RG-316, LMR-100, RNL-100, BELDEN 7805

**Packing**

Single or 100