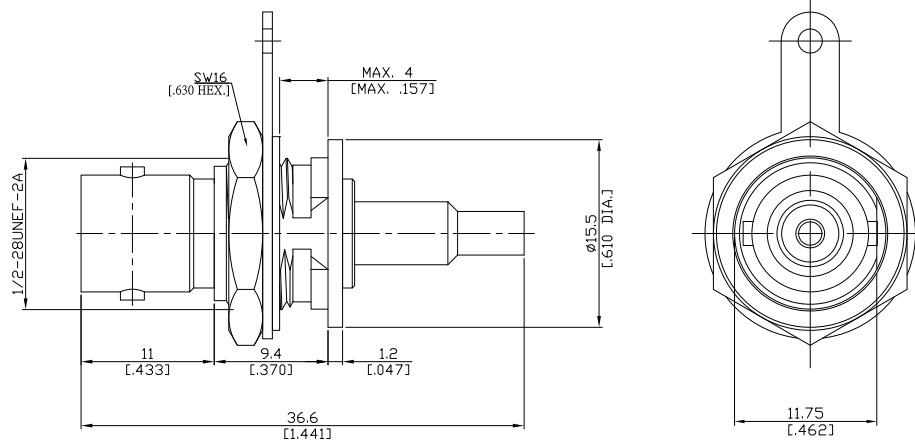


BNC Straight Bulkhead Cable Jack

BNC2CA50-G316B/H3



All dimensions are in mm [inch]
Tolerances according to DIN ISO 2768-mH

Interface

According to IEC 60169-8; MIL-C-39012; MIL-STD-348A/301

Electrical Data

Impedance 50 Ω
Frequency DC to 4 GHz
VSWR (Return Loss) ≤ 1.08 (≥ 28.3 dB), DC to 1 GHz
≤ 1.12 (≥ 24.9 dB), 1 to 2 GHz
≤ 1.22 (≥ 20.1 dB), 2 to 4 GHz
Insertion Loss ≤ 0.05 x √F (GHz) dB, DC to 4 GHz

- Limitations are possible due to the used cable type -

Mechanical Data

Coupling mechanisms Bayonet-lock
Centre contact Soldered or Crimped
Cable entry Crimped

Environmental Data

Temperature range -65°C to +165°C
RoHS compliant

Material And Plating

Connector parts	Material	Plating
Centre contact	Phosphor Bronze	Gold plating(Nickel underplated)
Body	Brass	Nickel
Insulator	PTFE	
Crimp ferrules	Brass	Nickel
Fastening nut	Brass	Nickel
Washer	Brass	Nickel
Solder tag	Brass	Nickel

Suitable Cables

RG-174, RG-188A, RG-316, Belden 7805

Packing

Single or 100

Related Document

Mounting Dimension MD7

The facts and figures herein are carefully compiled to the best of our knowledge, but they are intended for general informational purposes only. In the effort to improve our products, we reserve the right to make changes judged to be necessary.

Rev.: Rosnol RF/Microwave Technology
www.rosnol.com ; info@rosnol.com
Date: 19/11/10
Phone:+886-3-463-5095
Fax:+886-3-463-5952