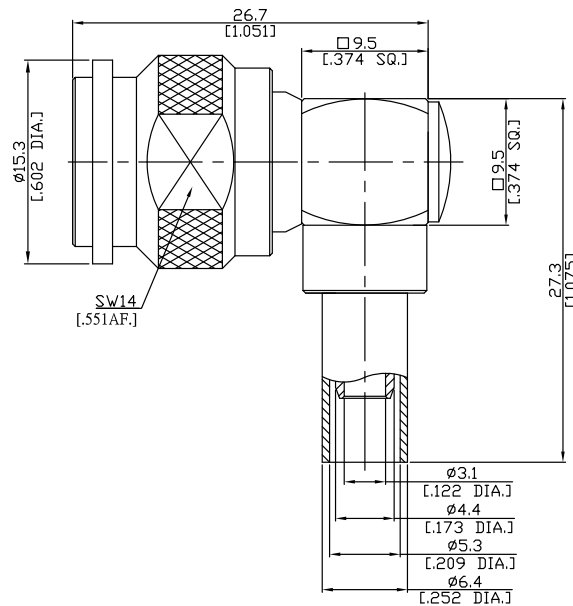




TNC Right Angle Cable Plug

TNC1C59-G142A/1XX



All dimensions are in mm [inch]
Tolerances according to DIN ISO 2768-mH

Interface

According to IEC 60169-17; MIL-C-39012; MIL-STD-348A/313

Electrical Data

Impedance 50 Ω
Frequency DC to 11 GHz
VSWR (Return Loss) ≤ 1.22 (≥ 20.1 dB)
Insertion Loss ≤ 0.05 dB

- Limitations are possible due to the used cable type and manufacturing process -

Mechanical Data

Coupling mechanisms Screw-lock
Centre contact Soldered
Cable entry Crimped

Environmental Data

Temperature range -65°C to +165°C
RoHS compliant

Material And Plating

Connector parts	Material	Plating
Centre contact	Brass	Gold plating(Nickel underplated)
Body	Stainless Steel	Passivated
Insulator	PTFE	
Gasket	Silicone Rubber	
Coupling nut	Stainless Steel	Passivated
Crimp ferrules	Brass	Copper-Tin-Zinc Alloy

Suitable Cables

RG 55, RG 142, RG 223, RG 400

Packing

Single or 100