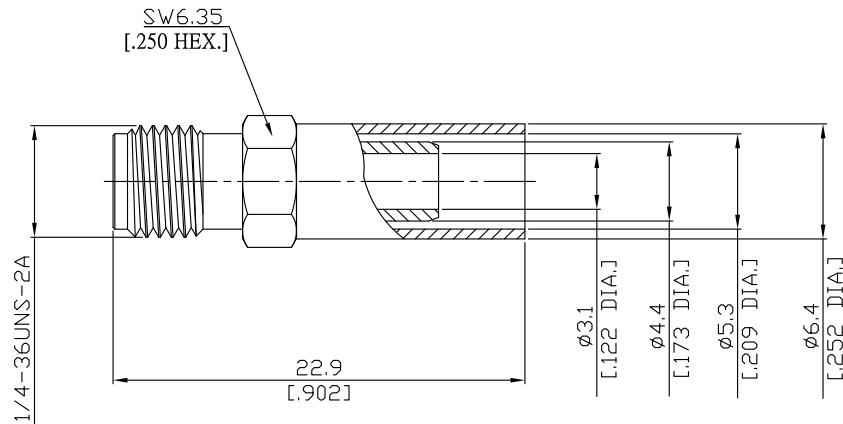


## SMA Straight Cable Jack

## SMA2C50-G142A/9X



All dimensions are in mm [inch]

Tolerances according to DIN ISO 2768-mH

### Interface

According to MIL-C-39012;MIL-STD-348A/310

### Electrical Data

Impedance 50  $\Omega$   
 Frequency DC to 12.4 GHz  
 VSWR (Return Loss)  $\leq 1.04$  ( $\geq 34.15$  dB), DC to 1 GHz  
 $\leq 1.05$  ( $\geq 32.26$  dB), 1 to 2.5 GHz  
 $\leq 1.20$  ( $\geq 20.83$  dB), 2.5 to 5 GHz  
 Insertion Loss  $\leq 0.04 \times \sqrt{F}$  (GHz) dB, DC to 5 GHz

- Limitations are possible due to the used cable type -

### Mechanical Data

Coupling mechanisms Screw-lock  
 Centre contact Soldered  
 Cable entry Crimped

### Environmental Data

Temperature range -65°C to +165°C  
 RoHS compliant

### Material And Plating

Connector parts	Material	Plating
Centre contact	Beryllium Copper	Gold plating(Nickel underplated)
Body	Stainless Steel	Passivated
Insulator	PTFE	
Crimp ferrules	Brass	Copper-Tin-Zinc Alloy

### Suitable Cables

RG55, RG 142, RG 223, RG 400

### Packing

Single or 100