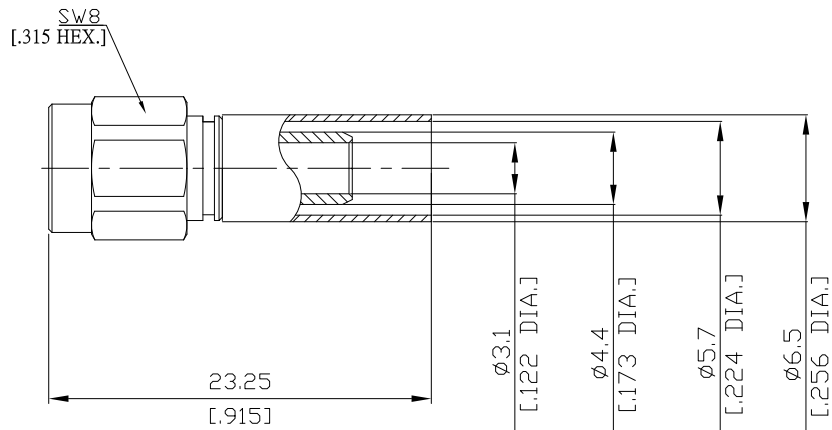


SMA Straight Cable Plug

SMA1C50-G142A/111



All dimensions are in mm [inch]
Tolerances according to DIN ISO 2768-mH

Interface

According to IEC 60169-15; MIL-C-39012; MIL-STD-348A/310

Electrical Data

Impedance 50 Ω
Frequency DC to 12.4 GHz
VSWR (Return Loss) ≤ 1.20 (≥ 20.1 dB)
Insertion Loss ≤ 0.04 x √F (GHz) dB

- Limitations are possible due to the used cable type -

Mechanical Data

Coupling mechanisms Screw-lock
Centre contact Soldered or Crimped
Cable entry Crimped

Environmental Data

Temperature range -65°C to +165°C
RoHS compliant

Material And Plating

Connector parts	Material	Plating
Centre contact	Brass	Gold plating(Nickel underplated)
Body	Brass	Gold plating(Nickel underplated)
Insulator	PTFE	
Gasket	Silicone Rubber	
Coupling nut	Brass	Gold plating(Nickel underplated)
Crimp ferrules	Brass	Gold plating(Nickel underplated)

Suitable Cables

RG55, RG 142, RG 223, RG 400

Packing

Single or 100