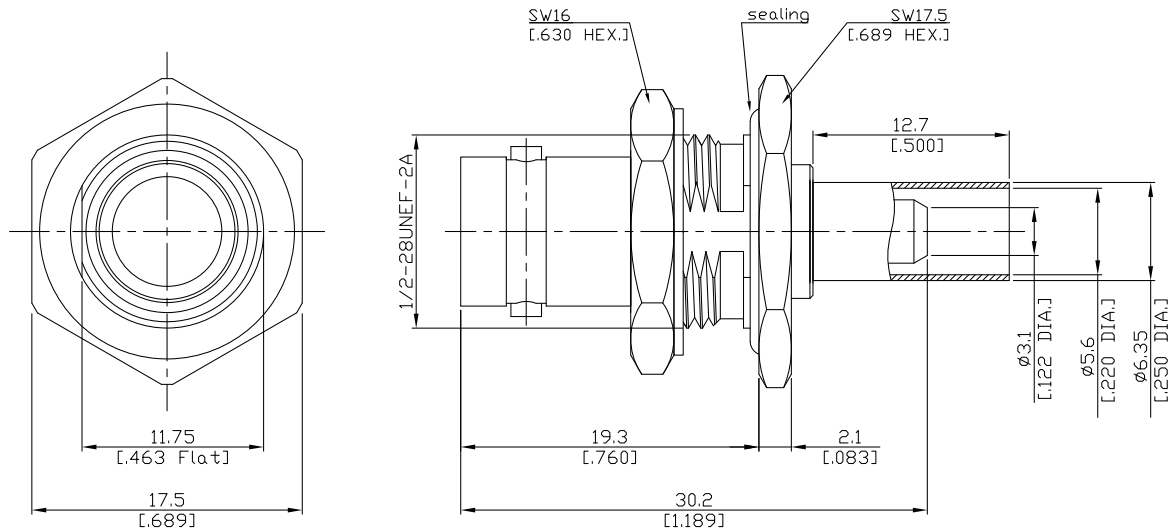


BNC Straight Bulkhead Cable Jack

BNC2CA50-G142A/H3



All dimensions are in mm [inch]  
Tolerances according to DIN ISO 2768-mH

**Interface**

According to IEC 61169-8; MIL-C-39012; MIL-STD-348A/301; CECC 22120

**Electrical Data**

Impedance 50 Ω  
Frequency DC to 4 GHz  
VSWR (Return Loss) ≤ 1.13 (≥ 24.3 dB), DC to 1 GHz  
≤ 1.20 (≥ 20.1 dB), 1 to 4 GHz  
Insertion Loss ≤ 0.05 x √F [GHz] dB

- Limitations are possible due to the used cable type and manufacturing process -

**Mechanical Data**

Coupling mechanisms Bayonet-lock  
Centre contact Soldered or Crimped  
Cable entry Crimped

**Environmental Data**

Temperature range -65°C to +165°C  
RoHS compliant

**Material And Plating**

Connector parts	Material	Plating
Centre contact	Phosphor Bronze	Gold plating(Nickel underplated)
Body	Brass	Nickel
Insulator	PTFE	
Gasket	Silicone Rubber	
Crimp ferrules	Brass	Nickel
Fastening nut	Brass	Nickel
Washer	Brass	Nickel

**Suitable Cables**

RG 55, RG 142, RG 223, RG 400

**Packing**

Single or 100

**Related Document**

Mounting Dimension MD7