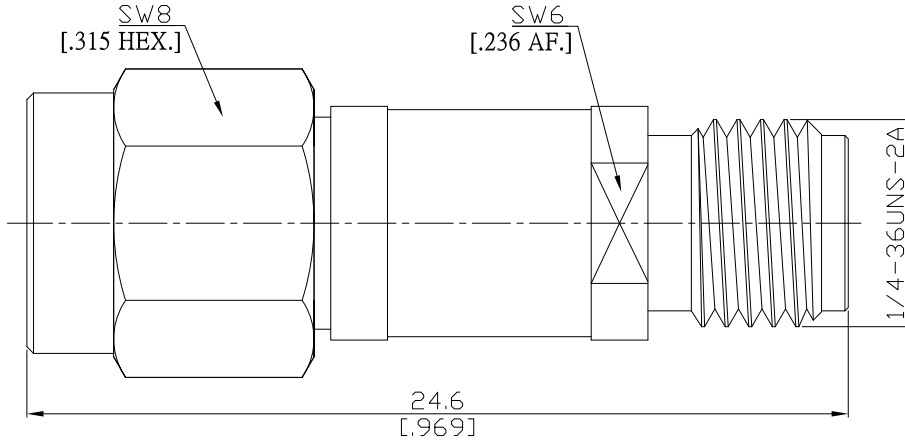


DC Block plug/jack
SMA plug (male) / SMA jack (female)

DB-A1A25A-26G100V/9XX-9X



All dimensions are in mm [inch]
Tolerances according to DIN ISO 2768-mH

Interface

According to MIL-C-39012;MIL-STD-348A/310

Electrical Data

Impedance 50 Ω
Frequency DC to 26 GHz
VSWR ≤ 1.32
Insertion Loss ≤ 1 dB
Voltage rating (Volts) DC 100 V

Mechanical Data

Coupling mechanisms Screw-lock
Weight 0.0045 kg

Environmental Data

Temperature range -55°C to +90°C
RoHS compliant

Material And Plating

Piece Parts (SMA)	Material	Plating
Centre contact	Beryllium Copper	Gold plating(Nickel underplated)
Body	Stainless Steel	Passivated
Insulator	PTFE	
Gasket	Silicone Rubber	
Coupling nut	Stainless Steel	Passivated
Piece Parts (SMA)	Material	Plating
Centre contact	Beryllium Copper	Gold plating(Nickel underplated)
Body	Stainless Steel	Passivated
Insulator	PTFE	

Packing

Single or 100