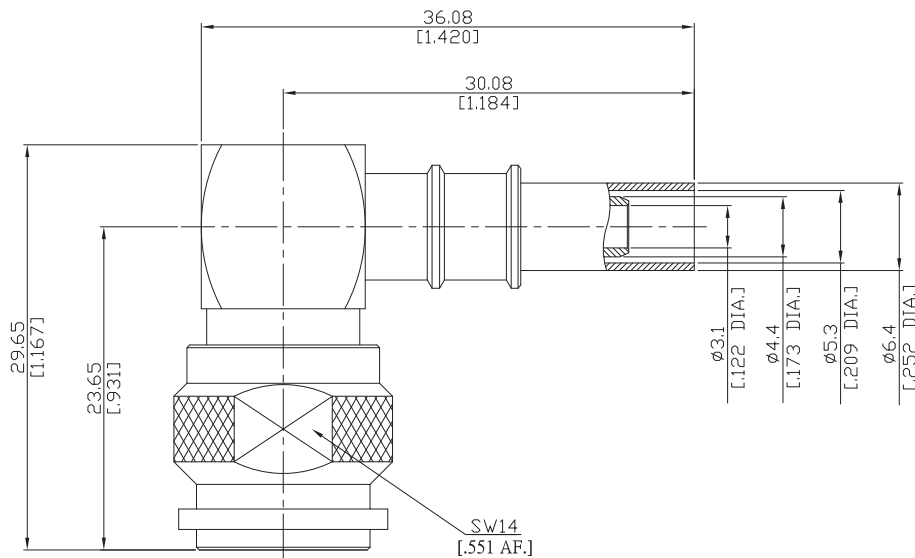


TNC Right Angle Cable Plug

TNC1C59-R200A/H44



All dimensions are in mm [inch]  
Tolerances according to DIN ISO 2768-mH

**Interface**

According to IEC 60169-17; MIL-C-39012; MIL-STD-348A/313

**Electrical Data**

Impedance 50 Ω  
Frequency DC to 8 GHz  
VSWR (Return Loss) ≤ 1.30 (≥ 17.7 dB)  
Insertion Loss ≤ 0.05 x √F (GHz) dB  
*- Limitations are possible due to the used cable type -*

**Mechanical Data**

Coupling mechanisms Screw-lock  
Centre contact Plug-in  
Cable entry Crimped

**Environmental Data**

Temperature range -65°C to +165°C  
RoHS compliant

**Material And Plating**

Connector parts	Material	Plating
Centre contact	Phosphor Bronze	Gold plating(Nickel underplated)
Body	Brass	Copper-Tin-Zinc Alloy
Insulator	PTFE	
Gasket	Silicone Rubber	
Coupling nut	Brass	Copper-Tin-Zinc Alloy
Crimp ferrules	Brass	Copper-Tin-Zinc Alloy

**Suitable Cables**

LMR 200, Belden 7807A

**Packing**

Single or 100