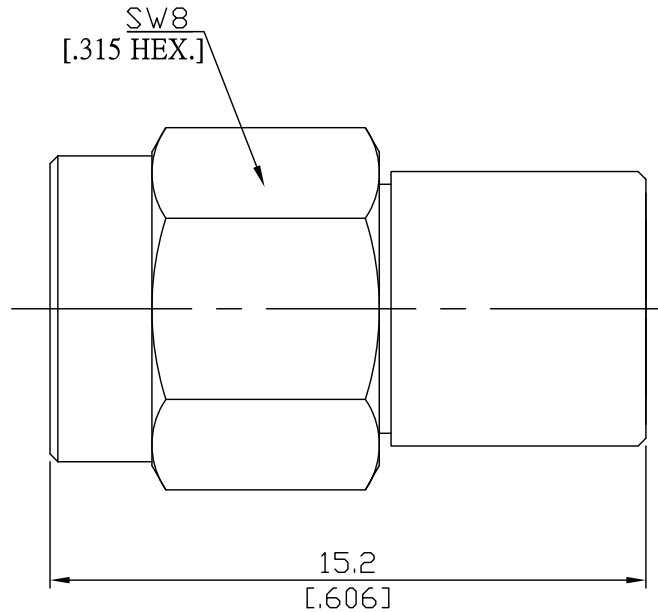


SMA Terminations Plug
T-A15-12.4G2WA/H11


All dimensions are in mm [inch]

Tolerances according to DIN ISO 2768-mH

Interface

According to N/A

Electrical Data

 Impedance 50 Ω
 Interface frequency max. DC to 12.4 GHz
 VSWR ≤ 1.20
 Power rating (Watt) 2 W

Mechanical Data

 Coupling mechanisms Screw-lock
 Weight 0.0053 kg

Environmental Data

 Temperature range -55°C to +125°C
 RoHS compliant

Material And Plating

Connector parts	Material	Plating
Centre contact	Phosphor Bronze	Gold plating(Nickel underplated)
Body	Brass	Gold plating(Nickel underplated)
Insulator	PTFE	
Gasket	Silicone Rubber	
Coupling nut	Brass	Gold plating(Nickel underplated)

Packing

Single or 100