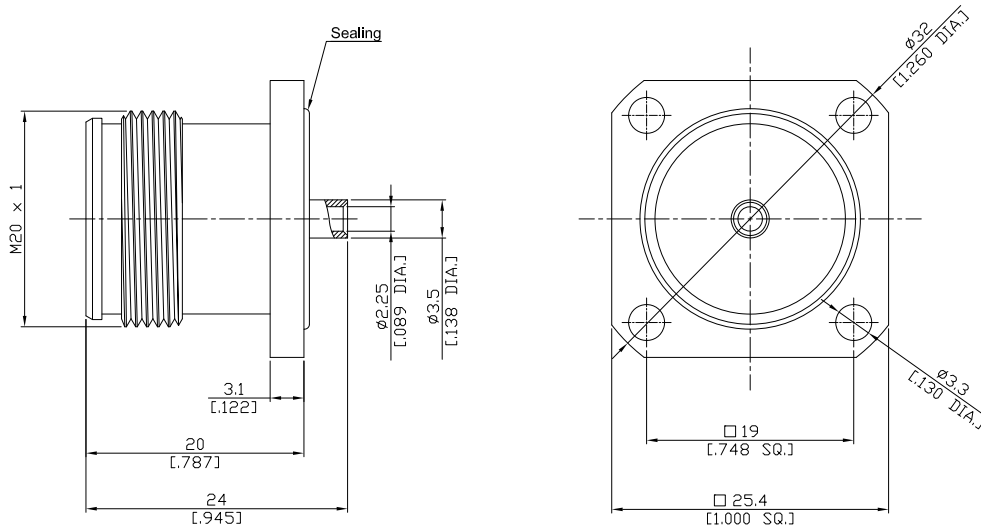


4.3-10 Straight 4 Hole Panel Flange  
Cable Jack

4310-2EBF50-0085A/G4



All dimensions are in mm [inch]  
Tolerances according to DIN ISO 2768-mH

**Interface**

According to IEC 61169-54

**Electrical Data**

Impedance 50 Ω  
Frequency DC to 6 GHz  
VSWR (Return Loss) ≤ 1.10 (≥ 26.4 dB)  
Insertion Loss ≤ 0.05 x √F [GHz] dB

- Limitations are possible due to the used cable type -

**Mechanical Data**

Coupling mechanisms Screw-lock  
Centre contact Plug-in  
Cable entry Soldered

**Environmental Data**

Temperature range -55°C to +90°C  
RoHS compliant  
Ingress Protection (IP) Rating IP 67 Rated

**Material And Plating**

| Connector parts | Material        | Plating               |
|-----------------|-----------------|-----------------------|
| Centre contact  | Phosphor Bronze | Silver                |
| Body            | Brass           | Copper-Tin-Zinc Alloy |
| Insulator       | PTFE            |                       |
| Gasket          | Silicone Rubber |                       |

**Suitable Cables**

RSR-085, RSF-085, RSF-085-FEP, UT 85, RG 405/U, RTK- FS 085, RTK- Flex 405, BELDEN 1671A

**Packing**

Single or 100

**Related Document**

Mounting Dimension MD143