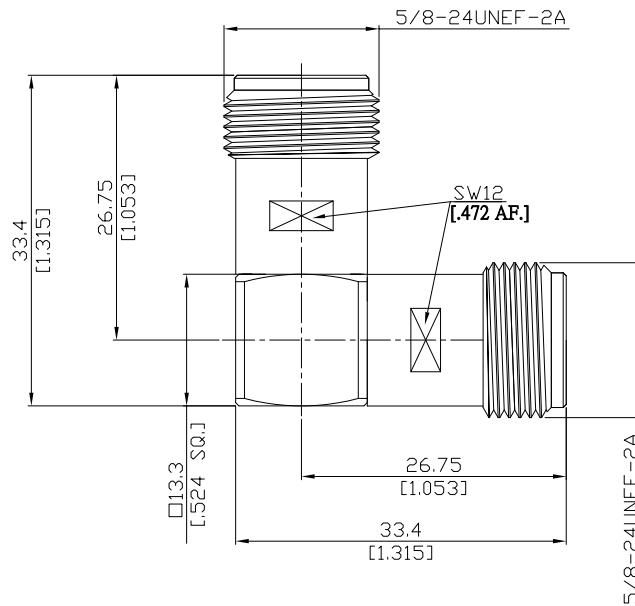


L-adaptor jack/jack  
N jack (female) / N jack (female)

ADL-N2N25A/94-94



All dimensions are in mm [inch]  
Tolerances according to DIN ISO 2768-mH

#### Interface

According to IEC 61169-16; CECC 22210; MIL-C-39012; MIL-STD-348A/304

#### Electrical Data

Impedance 50 Ω  
Frequency DC to 11 GHz  
VSWR (Return Loss) ≤ 1.25 (≥ 19.1 dB)  
Insertion Loss ≤ 0.05 dB

#### Mechanical Data

Coupling mechanisms Screw-lock  
Weight N/A

#### Environmental Data

Temperature range -65°C to +165°C  
RoHS compliant

#### Material And Plating

Piece Parts (N)	Material	Plating
Centre contact	Beryllium Copper	Gold plating (Nickel underplated)
Body	Brass	Copper-Tin-Zinc Alloy
Insulator	PTFE	

Piece Parts (N)	Material	Plating
Centre contact	Beryllium Copper	Gold plating (Nickel underplated)
Body	Brass	Copper-Tin-Zinc Alloy
Insulator	PTFE	

#### Packing

Single or 100