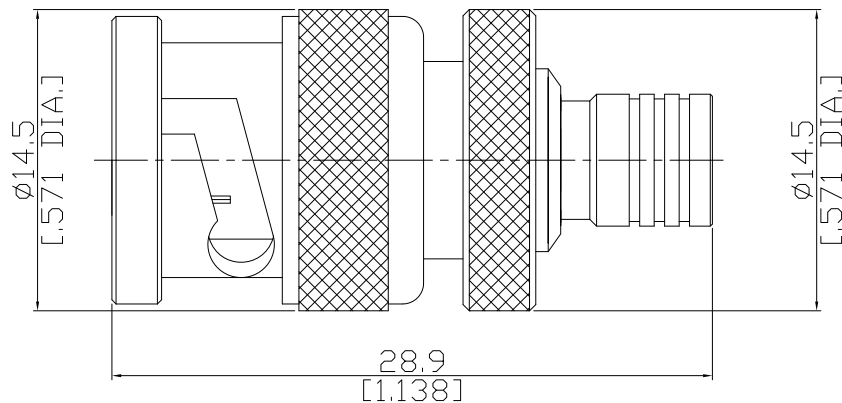


**Adaptor Plug / Plug**  
BNC plug (male) / SMB plug (male)

AD-B1S15A/933-911



All dimensions are in mm [inch]  
Tolerances according to DIN ISO 2768-mH

**Interface**

According to IEC 60169-8; MIL-C-39012; MIL-STD-348A/301  
MIL-C-39012; MIL-STD-348A/311

**Electrical Data**

Impedance 50 Ω  
Frequency DC to 4 GHz  
VSWR (Return Loss) ≤ 1.35 (≥ 16.54 dB)  
Insertion Loss ≤ 0.05 x √F (GHz) dB

**Mechanical Data**

Coupling mechanisms BNC (Bayonet-lock) ; SMB (Snap-on)  
Weight 0.0136 kg

**Environmental Data**

Temperature range -65°C to +165°C  
RoHS compliant

**Material And Plating**

Piece Parts (BNC)	Material	Plating
Centre contact	Beryllium Copper	Gold plating(Nickel underplated)
Body	Brass	Nickel
Insulator	PTFE	
Gasket	Silicone Rubber	
Coupling nut	Brass	Nickel
Piece Parts (SMB)	Material	Plating
Centre contact	Beryllium Copper	Gold plating(Nickel underplated)
Body	Brass	Gold plating(Nickel underplated)
Insulator	PTFE	
Coupling nut	Brass	Gold plating(Nickel underplated)

**Packing**

Single or 100