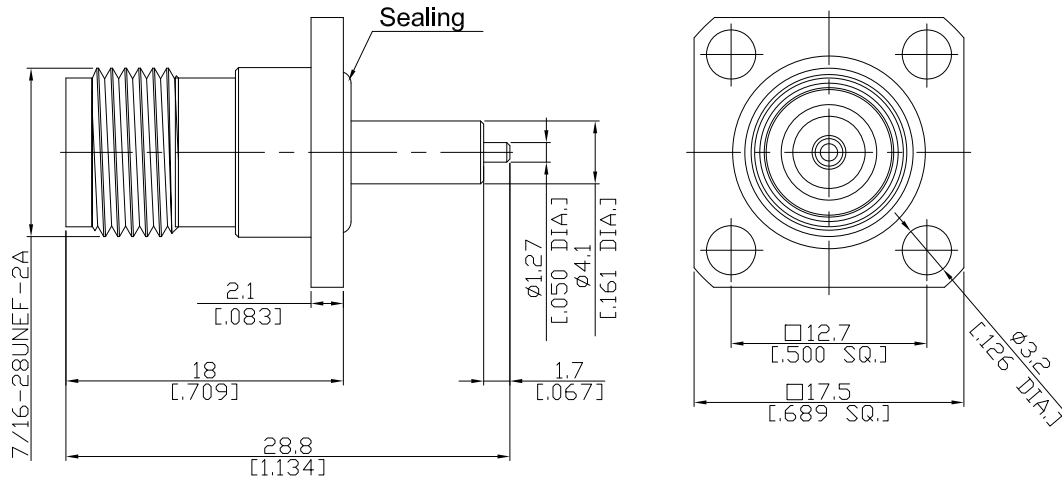


## TNC Straight Panel Receptacle Jack (Coaxial End)

# TNC2GFA50-2880A/H3



All dimensions are in mm [inch]

Tolerances according to DIN ISO 2768-mH

### Interface

According to MIL-C-39012;MIL-STD-348A/313

### Electrical Data

Impedance 50  $\Omega$   
Frequency DC to 11 GHz

### Mechanical Data

Coupling mechanisms Screw-lock  
Weight 0.0096 kg

### Environmental Data

Temperature range -65°C to +165°C  
RoHS compliant

### Material And Plating

Piece Parts	Material	Plating
Centre contact	Phosphor Bronze	Gold plating(Nickel underplated)
Body	Brass	Nickel
Insulator	PTFE	
Gasket	Silicone Rubber	

### Packing

Single or 100

### Related Document

Mounting Dimension MD66