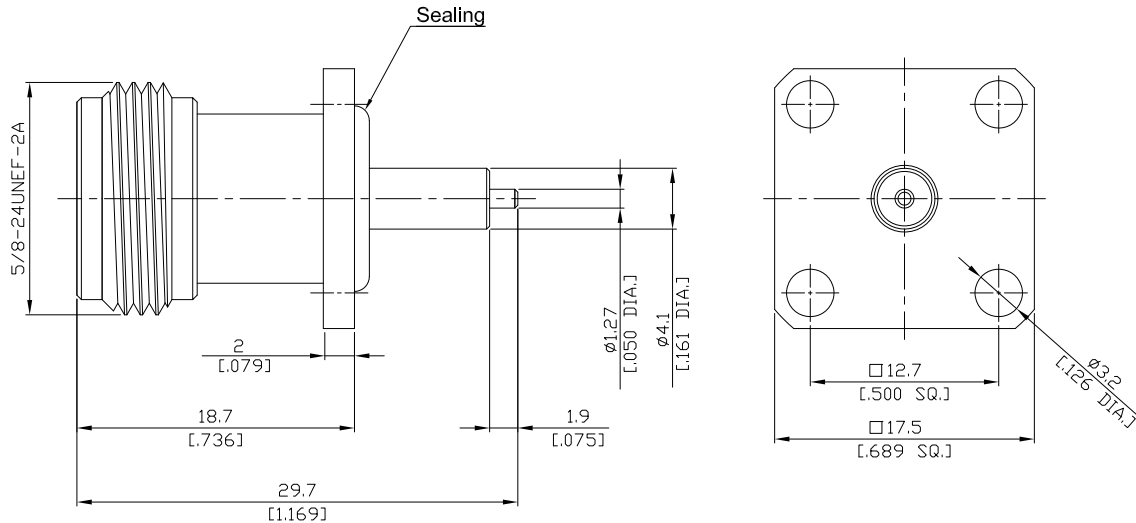


## N Straight Panel Receptacle Jack (Coaxial End)

### N2GFA50-2970A/H4



All dimensions are in mm [inch]

Tolerances according to DIN ISO 2768-mH

#### Interface

According to MIL-C-39012; MIL-STD-348A/304

#### Electrical Data

Impedance 50  $\Omega$   
Frequency DC to 11 GHz

#### Mechanical Data

Coupling mechanisms Screw-lock  
Weight 0.0163 kg

#### Environmental Data

Temperature range -65°C to +165°C  
RoHS compliant

#### Material And Plating

Piece Parts	Material	Plating
Centre contact	Phosphor Bronze	Gold plating(Nickel underplated)
Body	Brass	Copper-Tin-Zinc Alloy
Insulator	PTFE	
Gasket	Silicone Rubber	

#### Packing

Single or 100

#### Related Document

Mounting Dimension MD66

The facts and figures herein are carefully compiled to the best of our knowledge, but they are intended for general informational purposes only. In the effort to improve our products, we reserve the right to make changes judged to be necessary.

Rev.: Rosnol RF/Microwave Technology  
www.rosnol.com ; info@rosnol.com  
Date: 19/11/10  
Phone:+886-3-463-5095  
Fax:+886-3-463-5952

Page

1/1