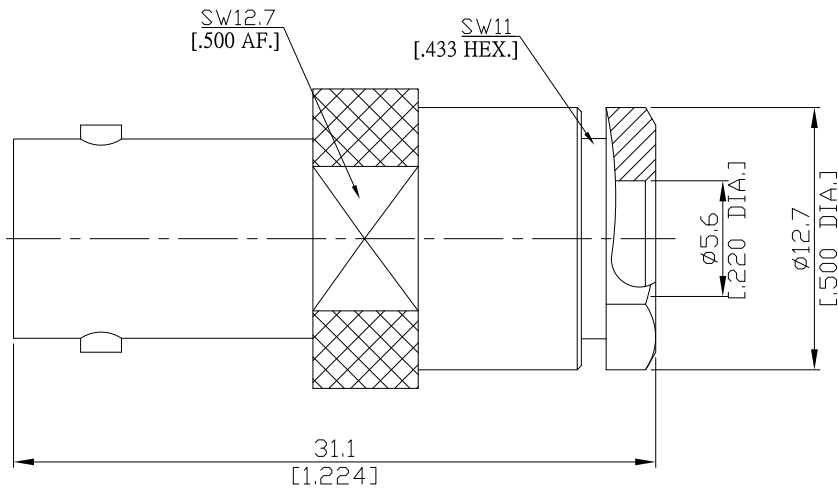


BNC Straight Cable Jack

BNC2D50-G058A/H3



All dimensions are in mm [inch]
Tolerances according to DIN ISO 2768-mH

Interface

According to IEC 60169-8; MIL-C-39012; MIL-STD-348A/301

Electrical Data

Impedance 50 Ω
 Frequency DC to 4 GHz
 VSWR (Return Loss) ≤ 1.09 (≥ 27.3 dB), DC to 2 GHz
 ≤ 1.12 (≥ 24.9 dB), 2 to 3 GHz
 ≤ 1.22 (≥ 20.1 dB), 3 to 4 GHz
 Insertion Loss ≤ 0.05 x √F [GHz] dB, DC to 4 GHz

- Limitations are possible due to the used cable type -

Mechanical Data

Coupling mechanisms Bayonet-lock
 Centre contact Soldered or Crimped
 Cable entry Clamp

Environmental Data

Temperature range -65°C to +165°C
 RoHS compliant

Material And Plating

Connector parts	Material	Plating
Centre contact	Phosphor Bronze	Gold plating(Nickel underplated)
Body	Brass	Nickel
Insulator	PTFE	
Gasket	Silicone Rubber	

Suitable Cables

RG 58, RG 58A, RG 58C, RG 141, RG 303, BELDEN 7806A, BELDEN 9907, LMR 195

Packing

Single or 100