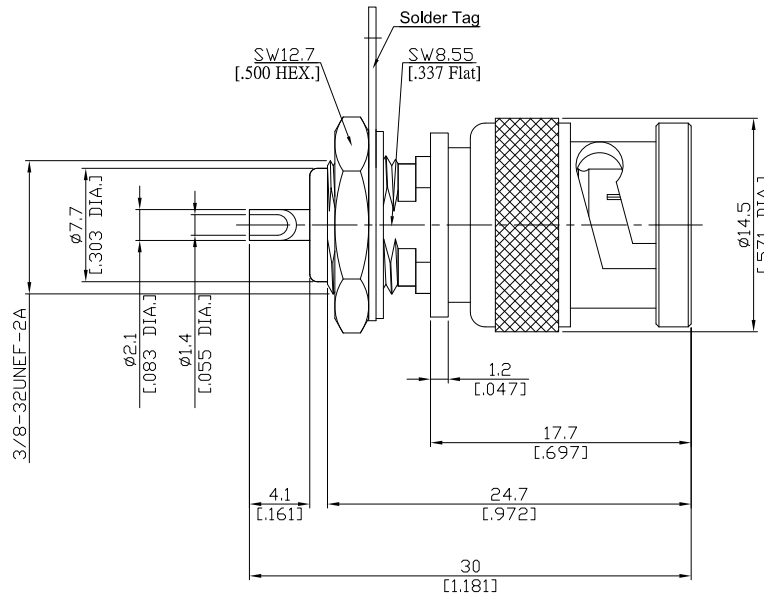


**BNC Straight Bulkhead Receptacle Plug
Solder End**

BNC1FB70-3000A/133



All dimensions are in mm [inch]
Tolerances according to DIN ISO 2768-mH

Interface

According to IEC 61169-8; MIL-C-39012; MIL-STD-348A/301

Electrical Data

Impedance 75 Ω
Frequency DC to 1 GHz

Mechanical Data

Coupling mechanisms Bayonet-lock
Weight 0.0139 kg

Environmental Data

Temperature range -65°C to +165°C
RoHS compliant

Material And Plating

| Piece Parts | Material | Plating |
|----------------|-----------------|----------------------------------|
| Centre contact | Brass | Gold plating(Nickel underplated) |
| Body | Brass | Nickel |
| Insulator | PTFE | |
| Gasket | Silicone Rubber | |
| Coupling nut | Brass | Nickel |
| Solder tag | Brass | Nickel |
| Fastening nut | Brass | Nickel |
| Washer | Brass | Nickel |

Packing

Single or 100

Related Document

Mounting Dimension MD18