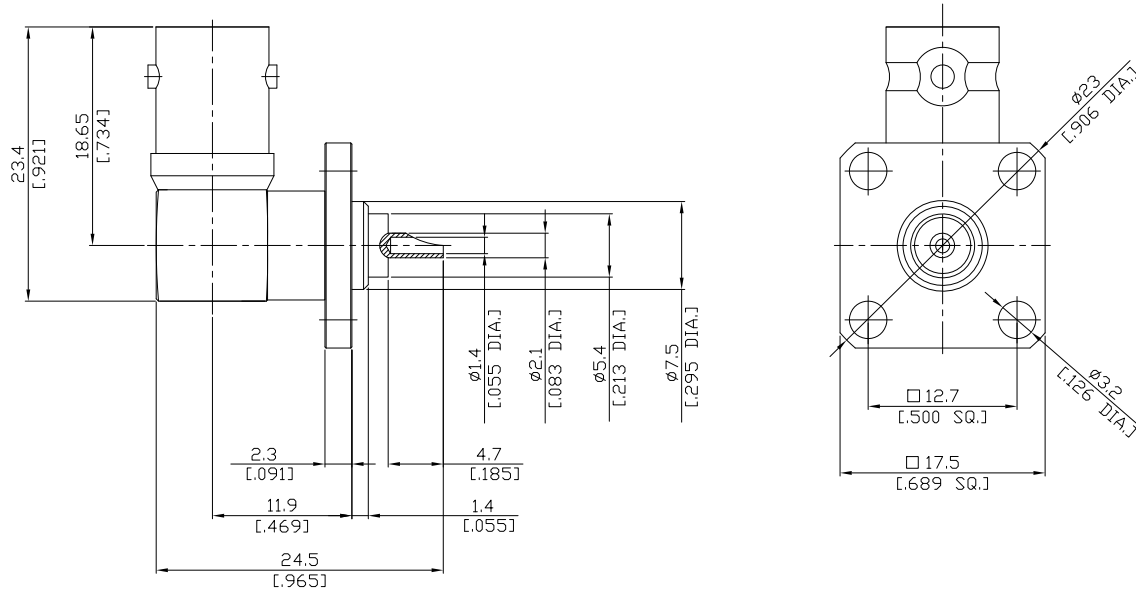


BNC Right Angle Panel Receptacle Jack
Solder End

BNC2GFB59-2450A/93



All dimensions are in mm [inch]

Tolerances according to DIN ISO 2768-mH

Interface

According to IEC 60169-8; MIL-C-39012; MIL-STD-348A/301

Electrical Data

Impedance 50 Ω
Frequency DC to 4 GHz

Mechanical Data

Coupling mechanisms Bayonet-lock
Weight 0.0181 kg

Environmental Data

Temperature range -65°C to +165°C
RoHS compliant

Material And Plating

Piece Parts	Material	Plating
Centre contact	Phosphor Bronze	Gold plating(Nickel underplated)
Body	Brass	Nickel
Insulator	PTFE	

Packing

Single or 100

Related Document

Mounting Dimension MD39