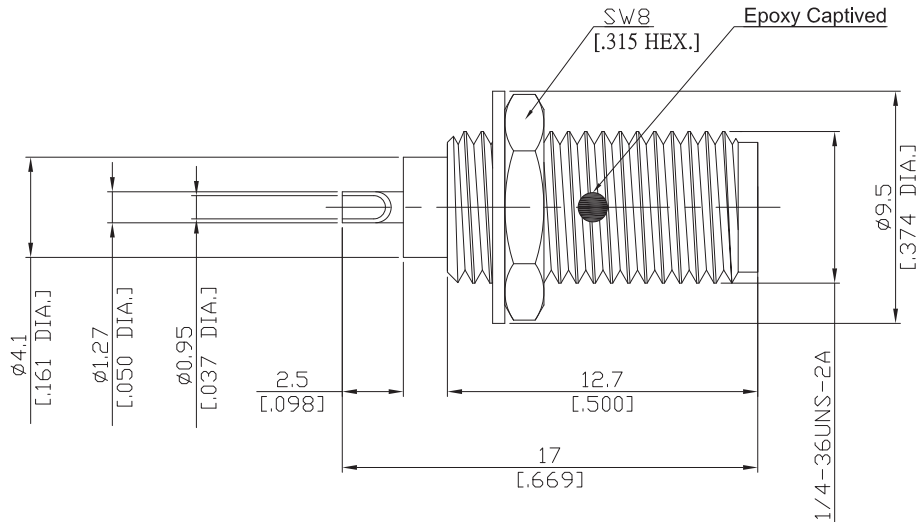


SMA Straight Bulkhead Receptacle Jack  
Solder End

SMA2FB50-1700C-EC/9X



All dimensions are in mm [inch]  
Tolerances according to DIN ISO 2768-mH

**Interface**

According to IEC 60169-15; MIL-C-39012; MIL-STD-348A/313

**Electrical Data**

Impedance: 50 Ω  
 Frequency: DC to 18 GHz  
 VSWR (Return Loss): ≤ 1.25 (≥ 19.08 dB)  
 Insertion Loss: ≤ 0.05 x √F (GHz) dB

**Mechanical Data**

Coupling mechanisms: Screw-lock  
 Weight: 0.0021 kg

**Environmental Data**

Temperature range: -65°C to +165°C  
 RoHS: compliant

**Material And Plating**

Piece Parts	Material	Plating
Centre contact	Beryllium Copper	Gold plating(Nickel underplated)
Body	Stainless Steel	Passivated
Insulator	PTFE	
Fastening nut	Stainless Steel	Passivated
Washer	Stainless Steel	Passivated

**Packing**

Single or 100

**Related Document**

Mounting Dimension MD28