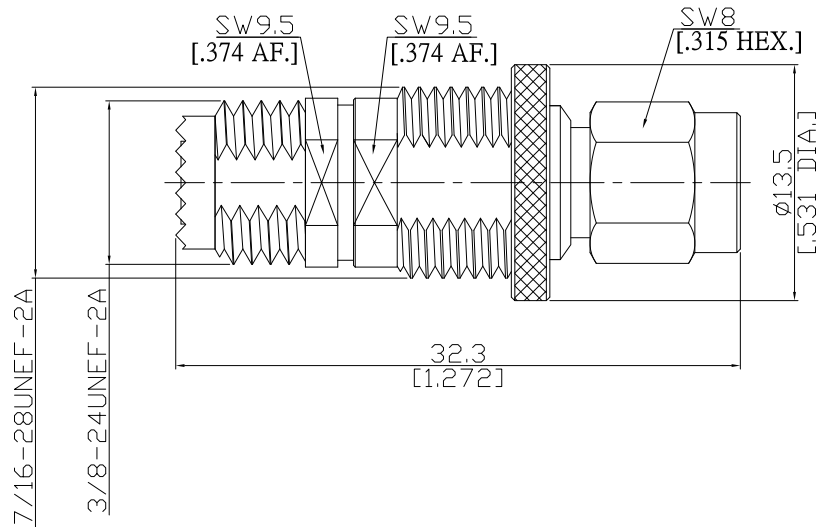


Adaptor Plug / Jack
SMA plug (male) / Mini UHF jack (female)

AD-A1MU25A/911-94



All dimensions are in mm [inch]
Tolerances according to DIN ISO 2768-mH

Interface

According to IEC 60169-15; MIL-C-39012; MIL-STD-348A/310

Electrical Data

Impedance 50 Ω
Frequency DC to 2.5 GHz

Mechanical Data

Coupling mechanisms SMA (Screw-lock) ; Mini UHF (Screw-lock)
Weight 0.0081 kg

Environmental Data

Temperature range -55°C to +85°C
RoHS compliant

Material And Plating

Piece Parts (SMA)	Material	Plating
Centre contact	Beryllium Copper	Gold plating(Nickel underplated)
Body	Brass	Gold plating(Nickel underplated)
Insulator	PTFE	
Gasket	Silicone Rubber	
Coupling nut	Brass	Gold plating(Nickel underplated)
Piece Parts (Mini UHF)	Material	Plating
Centre contact	Beryllium Copper	Gold plating(Nickel underplated)
Body	Brass	Copper-Tin-Zinc Alloy
Insulator	PTFE	

Packing

Single or 100