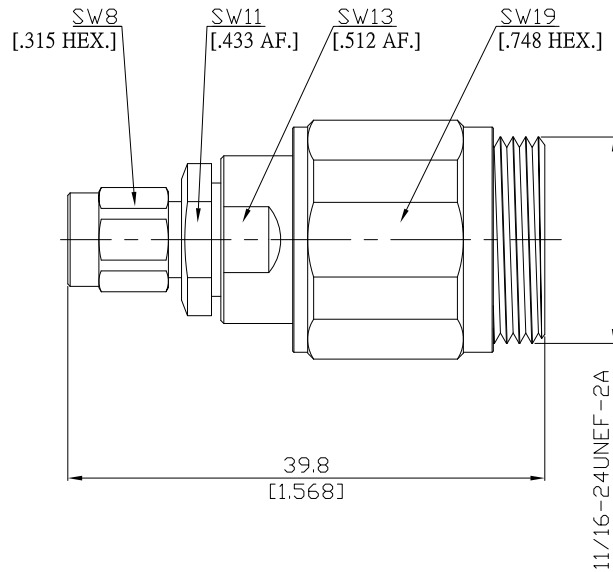


Adaptor Plug / Sexless
RPC3.5 plug (male) / RPC7 sexless

AD-PC1P7S5A/9XX-9XX



All dimensions are in mm [inch]
Tolerances according to DIN ISO 2768-mH

Interface

According to IEC 60169-23; IEEE Std 287-2007

Electrical Data

Impedance 50 Ω
Frequency DC to 18 GHz
VSWR (Return Loss) ≤ 1.15 (≥ 23.1 dB)
Insertion Loss ≤ 0.04 × √F (GHz) dB

Mechanical Data

Coupling mechanisms RPC3.5 (Screw-lock) ; RPC7 (Screw-lock)

Environmental Data

Temperature range -55°C to +70°C
RoHS compliant

Material And Plating

| Piece Parts (RPC3.5) | Material | Plating |
|----------------------|------------------|----------------------------------|
| Centre contact | Beryllium Copper | Gold plating(Nickel underplated) |
| Body | Stainless Steel | Passivated |
| Insulator | PS | |
| Gasket | Silicone Rubber | |
| Coupling nut | Stainless Steel | Passivated |
| Piece Parts (RPC7) | Material | Plating |
| Centre contact | Beryllium Copper | Gold plating(Nickel underplated) |
| Body | Stainless Steel | Passivated |
| Insulator | PS | |
| Coupling nut | Stainless Steel | Passivated |

Packing

Single or 100