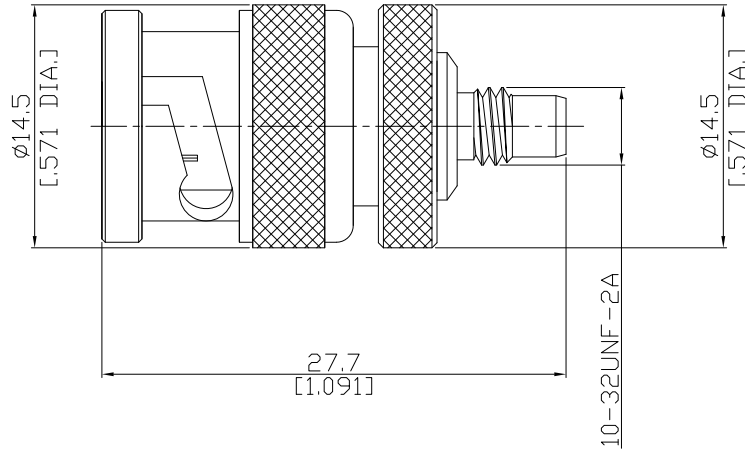


Adaptor Plug / Jack
BNC plug (male) / SMC jack (female)

AD-B1MC25A/133-11



All dimensions are in mm [inch]
Tolerances according to DIN ISO 2768-mH

Interface

According to IEC 60169-8; MIL-C-39012; MIL-STD-348A/301
IEC 60169-9; MIL-C-39012; MIL-STD-348A/312

Electrical Data

Impedance 50 Ω
Frequency DC to 4 GHz
VSWR (Return Loss) ≤ 1.35 (≥ 16.54 dB)
Insertion Loss ≤ 0.05 x √F [GHz] dB, DC to 4 GHz

Mechanical Data

Coupling mechanisms BNC (Bayonet-lock) ; SMC (Screw-lock)
Weight 0.0136 kg

Environmental Data

Temperature range -65°C to +165°C
RoHS compliant

Material And Plating

Piece Parts (BNC)	Material	Plating
Centre contact	Brass	Gold plating(Nickel underplated)
Body	Brass	Nickel
Insulator	PTFE	
Coupling nut	Brass	Nickel
Piece Parts (SMC)	Material	Plating
Centre contact	Brass	Gold plating(Nickel underplated)
Body	Brass	Gold plating(Nickel underplated)
Insulator	PTFE	

Packing

Single or 100