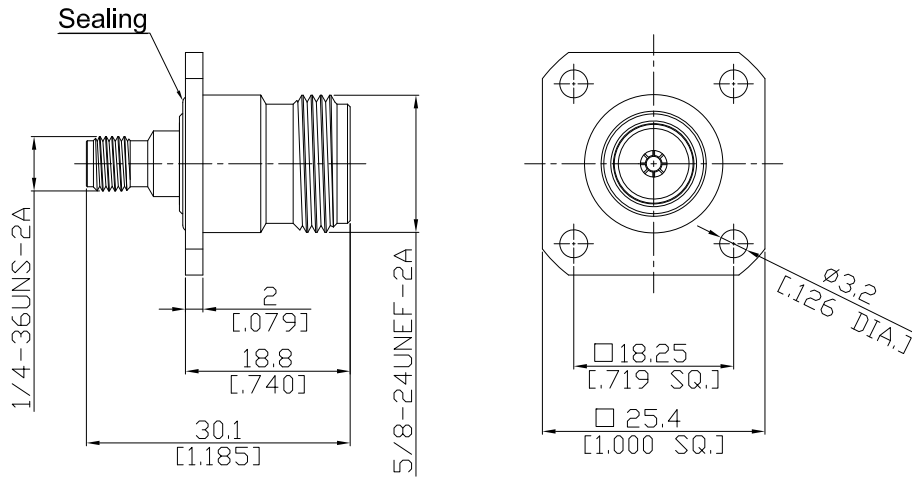


**4 Hole Panel Flange Adaptor  
SMA jack (female)/Precision N jack(female)**

**AD-A2PCN25A-PF/91-H4**



All dimensions are in mm [inch]  
Tolerances according to DIN ISO 2768-mH

**Interface**

SMA according to IEC 60169-15; MIL-C-39012; MIL-STD-348A/310  
Precision N according to IEC 61169-16; MIL-C-39012; MIL-STD-348A/402; IEEE Std 287-2007

**Electrical Data**

Impedance 50 Ω  
Frequency DC to 18 GHz  
VSWR (Return Loss) ≤ 1.2 (≥ 20.83 dB)  
Insertion Loss ≤ 0.04 x √F (GHz) dB

**Mechanical Data**

Coupling mechanisms SMA (Screw-lock); Precision N (Screw-lock)  
Weight 0.0272 kg

**Environmental Data**

Temperature range -65°C to +165°C  
RoHS compliant

**Material And Plating**

Piece Parts (SMA)		
Piece Parts (SMA)	Material	Plating
Centre contact	Beryllium Copper	Gold plating(Nickel underplated)
Body	Brass	Gold plating(Nickel underplated)
Insulator	PTFE	
Piece Parts (Precision N)		
Piece Parts (Precision N)	Material	Plating
Centre contact	Phosphor Bronze	Gold plating(Nickel underplated)
Body	Brass	Copper-Tin-Zinc Alloy
Insulator	PTFE	
Gasket	Silicone Rubber	

**Packing**

Single or 100

**Related Document**

Mounting Dimension MD16