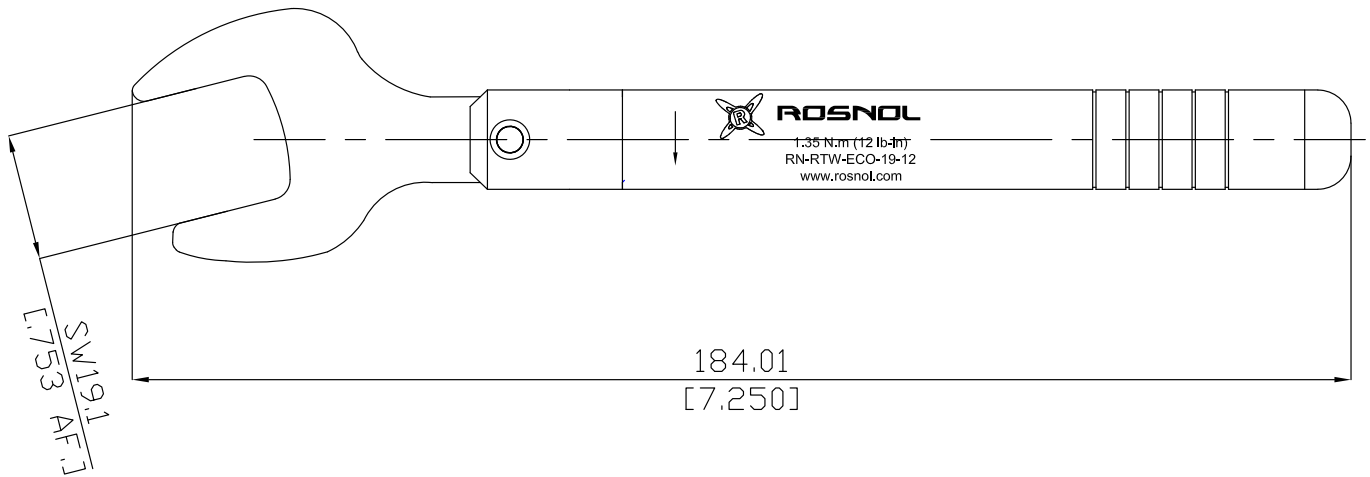


N
Precision N
7mm

Torque Wrench

RN-RTW-ECO-19-12



All dimensions are in mm [inch]

Tolerances according to DIN ISO 2768-mH

Suitable connector

N, Precision N, 7mm

Material And Plating

Tooling parts	Material	Plating
Spanner	Tool Steel	Nickel
Handle	Aluminum	green

Mechanical data

Width across flats	19 mm [.748 inch]
Torque setting	12 lb-in \pm 0.5lb-in [1.35 Nm \pm 0.06 Nm]

Packing

Single