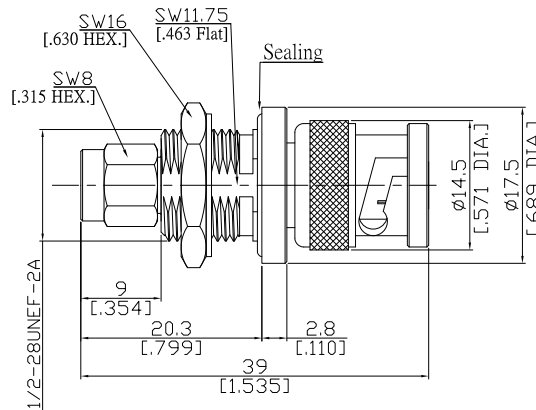


**Bulkhead adaptor plug/plug
SMA plug (male) / BNC plug (male)**

AD-A1B15A-BH/133-133



All dimensions are in mm [inch]

Tolerances according to DIN ISO 2768-mH

Interface

SMA side according to IEC 60169-15; MIL-C-39012; MIL-STD-348A/310
BNC side according to IEC 61169-8; MIL-C-39012; MIL-STD-348A/301

Electrical Data

Impedance 50 Ω
Frequency DC to 4 GHz
VSWR (Return Loss) ≤ 1.20 (≥ 20.8 dB)
Insertion Loss ≤ 0.05 x √F (GHz) dB, DC to 6 GHz

Mechanical Data

Coupling mechanisms SMA (Screw-lock) ; BNC (Bayonet-lock)
Weight 0.0171 kg

Environmental Data

Temperature range -65°C to +165°C
RoHS compliant

Material And Plating

Piece Parts (SMA)	Material	Plating
Centre contact	Brass	Gold plating(Nickel underplated)
Body	Brass	Nickel
Insulator	PTFE	
Gasket	Silicone Rubber	
Coupling nut	Brass	Nickel
Fastening nut	Brass	Nickel
Washer	Brass	Nickel
Piece Parts (BNC)	Material	Plating
Centre contact	Brass	Gold plating(Nickel underplated)
Body	Brass	Nickel
Insulator	PTFE	
Gasket	Silicone Rubber	
Coupling nut	Brass	Nickel

Packing

Single or 100

Related Document

Mounting Dimension MD7