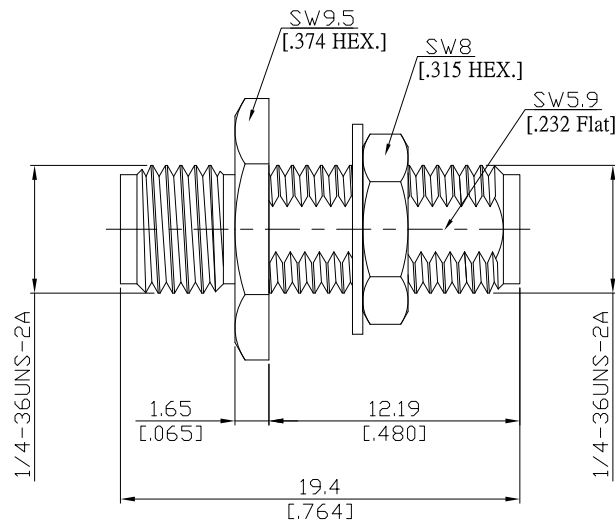


Bulkhead adaptor jack/jack
2.92mm jack (female) / 2.92mm jack (female)

AD-K2K25A-BH/9X-9X



All dimensions are in mm [inch]
Tolerances according to DIN ISO 2768-mH

Interface
2.92mm according to IEC 61169-35; IEEE STD 287

Electrical Data
Impedance 50 Ω
Frequency DC to 40 GHz
VSWR (Return Loss) ≤ 1.15 (≥ 23.13 dB)
Insertion Loss ≤ 0.05 x √F (GHz) dB

Mechanical Data
Coupling mechanisms Screw-lock
Weight N/A

Environmental Data
Temperature range -55°C to +165°C
RoHS compliant

Material And Plating		
Piece Parts (2.92mm)	Material	Plating
Centre contact	Beryllium Copper	Gold plating (Nickel underplated)
Body	Stainless Steel	Passivated
Insulator	PEI	
Fastening nut	Stainless Steel	Passivated
Washer	Stainless Steel	Passivated
Material And Plating		
Piece Parts (2.92mm)	Material	Plating
Centre contact	Beryllium Copper	Gold plating (Nickel underplated)
Body	Stainless Steel	Passivated
Insulator	PEI	

Packing
Single or 100

Related Document
Mounting Dimension MD95