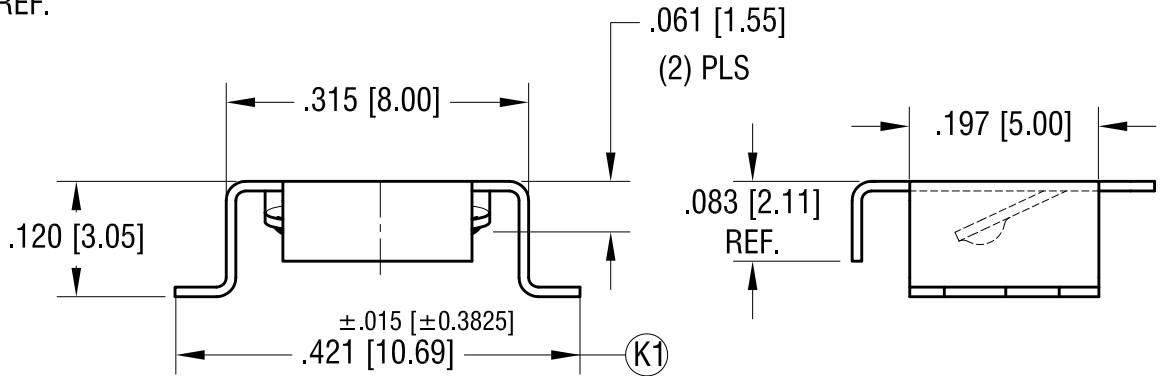
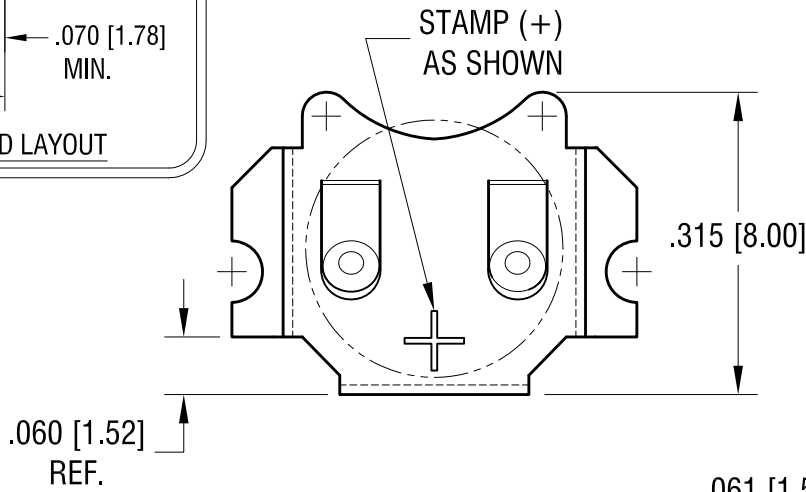
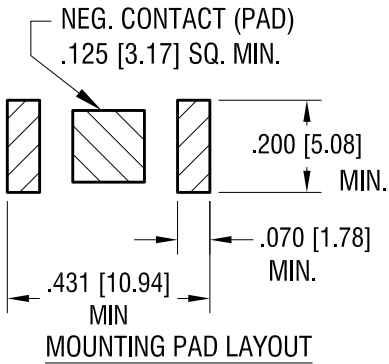


THIS DOCUMENT IS THE PROPERTY OF KEYSTONE ELECTRONICS CORP. AND SHALL NOT BE REPRODUCED, DISTRIBUTED OR USED AS A BASIS FOR MANUFACTURE WITHOUT PRIOR WRITTEN PERMISSION FROM KEYSTONE ELECTRONICS CORP.

ACTUAL SIZE



2.29.24	NO CHANGES TO PART	N
5.01.23	ECN 23-071, UPDATE MTG DERAIL	M
5.04.21	ECN 21-056, (K1) WAS .421±.015	K
4.20.17	CHANGE AS PER ECN 17-036	H
12.27.16	CHANGE AS PER ECN 16-123	G
6.21.13	CHANGE AS PER ECN 13-050	F
8.24.11	CHANGE AS PER ECN 11-114	E
6.22.06	CHANGE AS PER ECN 06-065	D
DATE	DESCRIPTION	REV.

KEYSTONE ELECTRONICS CORP.			
www.keyelco.com • NEW HYDE PARK, NY 11040 • Tel (516) 328-7500			
PART NAME 6.8mm SM BUTTON CELL RETAINER			
MATERIAL .010 [0.25] TH'K PHOSPHOR BRONZE			
FINISH TIN NICKEL PLATE		DRN BY BOONE	DATE 8.28.00
		APP'D RH	SCALE 5X
TOLERANCES	INCH [MM]	CODE	DWG NO.
DECIMAL	±.010 [±0.25]	C	2998
ANGULAR ± 1° UNLESS OTHERWISE SPECIFIED			