

POC-W211 IP54

21.5" Widescreen Fanless Point-of-Care Terminal with IP54 Enclosure



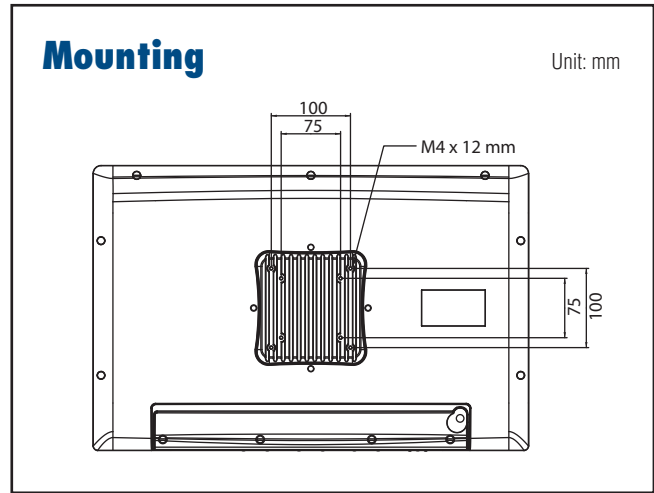
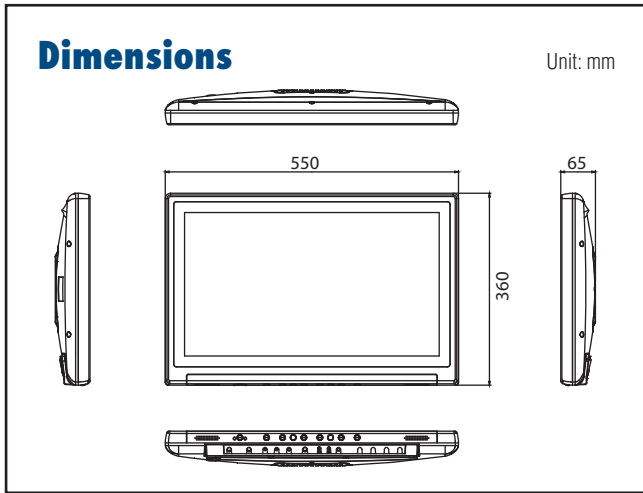
Features

- Runs on an Intel® Core™ i7 processor with a fanless, high performance profile
- IP54 Enclosure to protect dust and water splashing for ease of cleaning
- Capable of displaying crystal clear images on its 21.5" wide-screen display
- Isolated design provides unique electric leakage protection for COM ports and LAN ports
- ANSI/AAMI ES60601-1: 2005 / EN 60601-1 certified and ensures highest levels of safety/reliability
- Optional Bluetooth, RFID inner WLAN module, and Li-ion battery pack

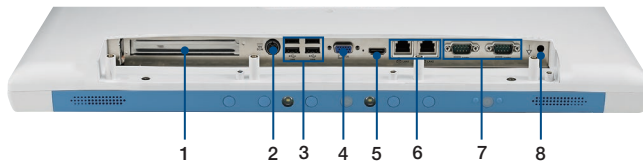


Specifications

Computing System	Chipset	Intel QM67	
	CPU	Intel® Core™ i7-2610UE Processor (4 M Cache, 2.2 GHz) Intel® Core™ i3-2340UE Processor (3 M Cache, 1.3 GHz) (Optional) AMD Dual Core T56N 1.6 GHz (Dual Core 18W TDP) (Optional)	
	Memory	Up to 16 GB DDR3 1333 MHz SDRAM	
	Graphics Controller	Integrated Intel HD Graphics	
	Operating System	XPP, Win7, WES7P, XPE	
Display	Display Size	21.5" wide TFT color LCD (16:9)	
	Type	IPS	
	Max. Resolution	1920 x 1080 (H x V)	
	Max. Colors	16.7 M colors (RGB 8 bits)	
	Pixel Pitch (um)	247.5 x 247.5	
	Viewing Angle	178°/178°	
	Luminance	250 cd/m ²	
	Backlight	LED	
	LCD MTBF	30,000 Hours	
Expansion Slot	Mini PCIe	1 x Mini PCIe slot	
	PCIe	1 x PCIe (x1) slot	
I/O Ports	Serial Ports	1 x RS-232 (isolated) and 1 x RS-232/422/485 (isolated) serial port	
	USB 2.0 Ports	4	
	VGA/DVI Port	1 x VGA port	
	Speakers (1W)	2	
	LAN	2 x Gigabit Ethernet (isolated) interfaces (RJ-45)	
Storage	HDD	1 x 2.5" SATA	
	HDD	1 x 2.5" SATA	
Power Supply	DC Model	AC/DC adapter (Sinpro Model no.HPU101-107)	
	Input Voltage	90 ~ 260 V _{AC} , 1.35 ~ 0.5 A, 47 ~ 63 Hz	
	Output Voltage	+18 V _{DC} , 5.55 A max. (100 watts)	
Optional Functions	Battery	3S2P 4200mAh, supports 0.5 hr backup operation Adding the battery will prevent the PCIe card from being inserted	
	WLAN	Integrated wireless 802.11 a/b/g/n connection & internal antenna	
	RFID	13.56 MHz with ISO-15693 & ISO-14443A/B and active tag function	
	Bluetooth	Integrated Bluetooth v2.0 + EDR	
Touchscreen	Type	Analog Resistive (Clear & AG)	Projected Capacitive 2-point (AR)
	Resolution	Continuous	Continuous
	Light Transmission	80±3%	90±3%
	Controller	COM interface	USB interface
	Durability	350 million touches	Over 50 million touches
IP Rating	Front Panel	IP65	
	Entire System	IP54	
Certifications	UL60601-1/EN60601-1, CE & FCC Class B certified, CCC		
Environment	Temperature	0 ~ 40° C (32 ~ 104° F) (Operating)	
	Humidity	10 ~ 95% @ 40° C (Non-condensing)	
	Shock Resistance	20 G peak acceleration (11 ms duration)	
Physical Characteristics	Dimensions (W x D x H)	550 x 360 x 65 mm (21.65" x 14.17" x 2.56")	
	Weight	6.9 kg (15.2 lb)	

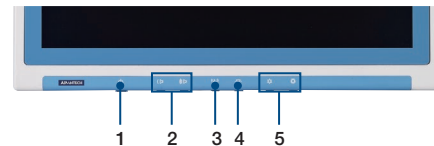


Rear I/O Ports (Intel Version)



- (1) PCIe card slot
- (2) Power DC-IN
- (3) 4 x USB 2.0 ports
- (4) VGA port
- (5) HDMI out port
- (6) 2 x Gigabit Ethernet interfaces (RJ-45)
- (7) 1 x RS-232 (isolated) and 1 x RS-232/422/485 (isolated) serial port
- (8) Equipotential Terminal Pin

Function Keys



- (1) Power
- (2) Volume Up/Down
- (3) Touchscreen Status Control
- (4) Read Light Control
- (5) Brightness Increase/Decrease

Cabling with Sealed I/O Ports



Back Side



Water/Dust resistance IP54 for whole system

Ordering Information

Part Number	Description
POC-W211-A11D-BTE	IP54/Core i7 1.5G/4G RAM/RES. TS/AG Type
POC-W211-A11D-BLE	IP54/Core i7 1.5G/4G RAM/RES. TS/Clear Type
POC-W211-A11D-BCE	IP54/Core i7 1.5G/4G RAM/PCAP TS/AR Type

Accessories

Part Number	Description
1702002600	Power Cable (USA) 1.8 M
1702002605	Power Cable (Europe) 1.8 M
PDC-W215-STAND-H3E	PDC-W215 STAND_H3-741L type_6-12kg Black

Optional Modules

Part Number	Description
POC-W21X-BTTE	Battery module (4200mAh Li-ion battery) for POC-W211/W212
POC-W211-RF0E	RFID module for POC-W211
POC-W21X-BT0E	Bluetooth module for POC-W211/W212
POC-W211-WF0E	Wireless module (802.11a/b/g/n) for POC-W211