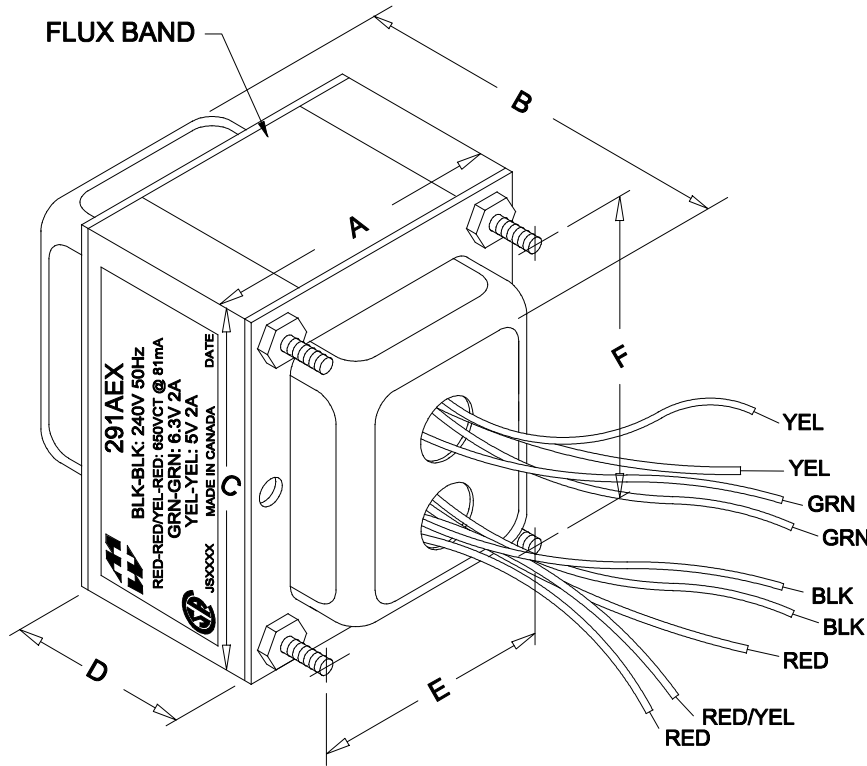


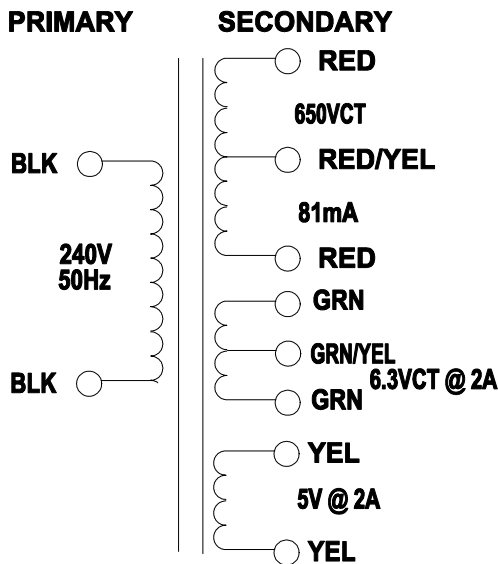
291AEX



**DIMENSIONS:**

A	2.500" ±0.063
B	2.817" ±0.063
C	3.000" ±0.063
D	1.25" ±0.063
E	2.000" ±0.063
F	2.500" ±0.063

NOTE: ALL LEADS 9" OUT MIN., STRIPPED .5"



**ELECTRICAL DATA:**

Turns ratio:	1 : 5.82 ( RED - RED )
Exciting Current	@ 240V, 50Hz, BLK - BLK = 230mA Max.
DCR	@ 20C, BLK - BLK = 19.647 Ω ±20%
	@ 20C, RED - RED = 334.1 Ω ±20%
	@ 20C, GRN - GRN = 0.107 Ω ±20%
	@ 20C, YEL - YEL = 0.088 Ω ±20%
Pri. Voltage	240V 50Hz
Sec. Voltage (RMS)	650VCT @ 81mA, 6.3V @ 2A / 5V @ 2A
No Load Voltage	698.6VCT / 6.76VCT / 5.35V



52 RANKIN PLACE,  
WATERLOO, ONTARIO, N2L 3Z5.  
PHONE (519) 886-6181  
FAX # (519) 886-9540

TITLE **POWER TRANSFORMER**

2	04/25/14	Added 6.3V center tap	DH	DR BY B.Pervaiz
1	09/28/12	Correct Dim Table	DH	DATE 08/25/09
NO	DATE	REVISION	DIM IN(X)MM( )	

291AEX