

# Altech Corp.®

Serving the Automation & Control Industry since 1984





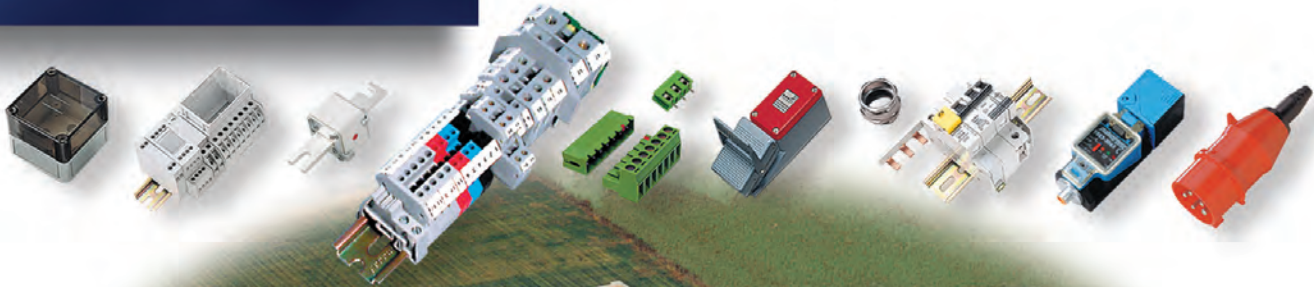
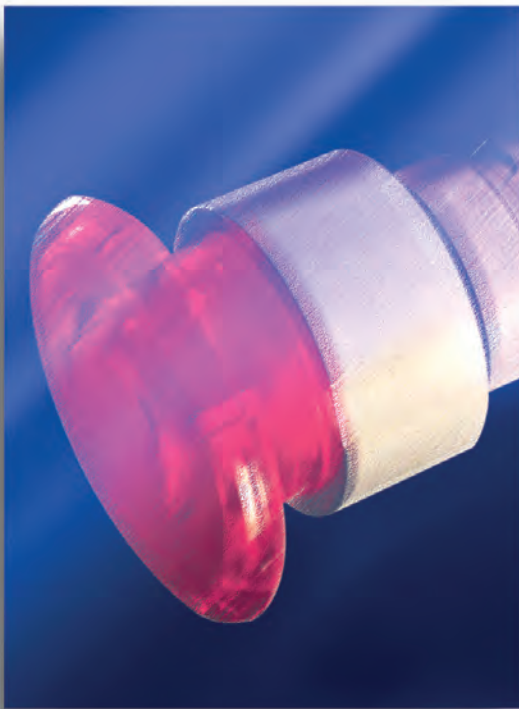
# Altech Corporation

Since 1984, Altech Corporation has grown to become a leading supplier of automation and industrial control components. Headquartered in Flemington, NJ, Altech has an experienced staff of engineering, manufacturing and sales personnel to provide the highest quality products with superior service. This is the Altech Commitment!

Altech 22 and 30mm Push Buttons offer ideal cost-effective solutions for control circuits utilizing both direct and remote management applications. Ease of assembly has been engineered into the design; the only tool necessary for installation is a screwdriver.

- LED Indicating Devices
- Pilot Lights
- Push Button Stations
- Push Button Enclosures
- UL Recognized
- Custom Push Button Assemblies
- All Very Competitively Priced

Our well trained technical experts welcome the opportunity to answer your technical questions and provide solutions to your automation and control needs. Give us a call or visit [www.altechcorp.com](http://www.altechcorp.com).



## Quality Commitment

*Altech's control components meet diverse national and international standards such as UL, NEC, CSA, IEC, VDE and more. Altech provides superior customer service and delivery through Total Quality Management and Continuous Process Improvement.*

*Altech is ISO 9001 approved. We perform these services with honesty and integrity and are committed to achieve these goals.*

# Table of Contents

## 22mm Push Buttons

	<b>Introduction - 4-5</b>
	<b>22mm Non-Illuminated Metal Operators 6-7</b>
	<b>22mm Non-Illuminated Mushroom Metal Operators 8-11</b>
	<b>22mm LED Illuminated Mushroom Metal Operators 12-13</b>
	<b>22mm Twin Touch Non-Illuminated and LED Illuminated Metal Operators 14-15</b>
	<b>22mm Non-Illuminated Metal Selector Switch Operators 16-17</b>
	<b>22mm LED Illuminated Metal Selector Switches 18-19</b>
	<b>22mm LED Illuminated Projecting Metal Operator 20-21</b>
	<b>22mm LED Illuminated Flush Metal Operators 22-23</b>
	<b>22mm LED Metal Pilot Lights 24</b>
	<b>22mm Specifications - 25</b>
	<b>Economy Non-Illuminated Plastic Push Buttons 26-27</b>
	<b>Unibody LED Illuminated Plastic Pilot Lights 28-29</b>



**22mm Plastic Enclosures, Control Boxes & Installation Instructions 30-35**



**22mm Aluminum Enclosures 36-37**

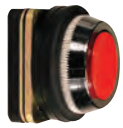


**22mm Push Button Accessories & Switch Contacts 38-41**



**Pre-assembled or Ready to Assemble Control Stations 42-43**

## 30mm Metal Push Buttons

	<b>Introduction - 44</b>
	<b>30mm Non-Illuminated Metal Operators 44-45</b>
	<b>30mm LED Illuminated Metal Operators 46-47</b>
	<b>30mm Non-Illuminated Metal Selector Switches 48-49</b>
	<b>30mm Non-Illuminated Mushroom Metal Operators 50-51</b>
	<b>30mm Metal Pilot Lights 52</b>
	<b>30mm Aluminum Enclosures 53</b>
	<b>30mm Push Button Accessories, Contact Blocks &amp; Technical Notes 54-56</b>
	<b>Index - 57-60</b>
	<b>Terms and Conditions - 62</b>



# 22 and 30 mm Altech Metal Push Buttons



Part No. PBD

**Quality at a Competitive Price!**



# 22mm Metal Push Buttons

## Control and Signalling devices Ø 22.5mm

This range of Ø 22.5mm push buttons, selector switches, illuminated switches, illuminated selector switches and pilot lights have been designed to provide the following features:

- Economy of space
- Self-wiping contacts
- Safe operation
- Simple to mount (screw driver is all that is required)
- Fixing method unaffected by excessive vibration-unit does not loosen
- Protection against electric shock (unit grounded)
- Aesthetically pleasing
- Heavy-duty construction
- Shrouded terminals
- Flame resistant materials
- Use of LEDs for long life and minimum maintenance

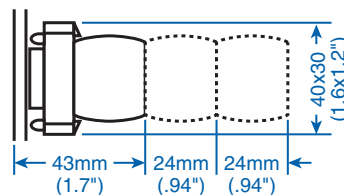
## Actuators

The circular actuators have chrome plated metal bezels, and are interchangeable with different contact elements. Custom colors and finishes (black, silver satin, etc.) are available.

## Contact Elements

The contact elements are double break and have self-wiping contacts. The elements are interchangeable and can be stacked without additional hardware. 1 to 6 elements (NO or NC) can be used with non-illuminated actuators, whereas, 1 to 4 elements (NO or NC) can be used for illuminated actuators. Gold plated NO and NC contact elements for low voltage, low current switching circuits < 25 mA, are available.

Multiple Switch Contact Assembly



## LED Illuminated Actuators and Pilot Lights

LED illuminated actuators & pilot lights are supplied with LED in bayonet cap suitable for operating at various voltages. LED bulbs with bayonet cap are constructed in the standard BA9S design.

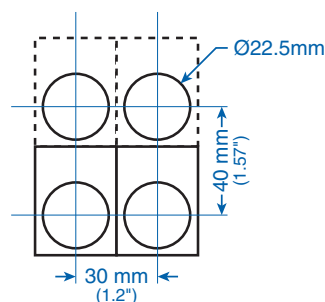
## Terminals

Contact elements and pilot lights are designed to have shrouded terminals with combination flat/phillips screws.

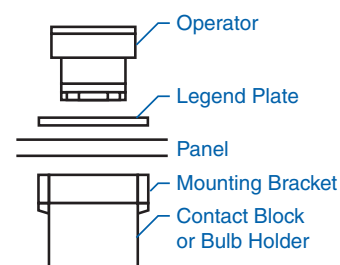
## Mounting

These Ø 22.5 control devices can be mounted in any position in panels of 1 to 6 mm (.039 - .236 in.) thickness. We recommend minimum fixing centers of 30 x 40mm (1.2 x 1.57 inches). However, the dimensions and configuration should be decided on the basis of the application. The actuators and the lens assemblies lock on to the holding bracket using a bayonet type of fixing which enables a simple and fast assembly. The complete assembly is locked into position on the panel by two M4 pointed screws on the bracket, tightened equally from the rear. The screws should be tightened to such an extent as to pierce through the paint on the panel from inside. These screws also ensure the grounding of the unit.

Panel Cutout with minimum space requirements



Sample Push Button Assembly





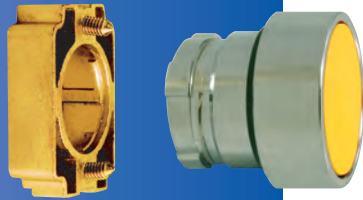
# 22mm Non-Illuminated Metal Operators



Certified for  
**NEMA Type 4X**  
12 environment.

## Flush

*Momentary  
with mounting bracket*



Color	Cat No.
<input type="checkbox"/> White	2AF1
<input type="checkbox"/> Black	2AF2
<input type="checkbox"/> Green	2AF3
<input type="checkbox"/> Red	2AF4
<input type="checkbox"/> Blue	2AF6
<input type="checkbox"/> Yellow	2AF8

## Booted

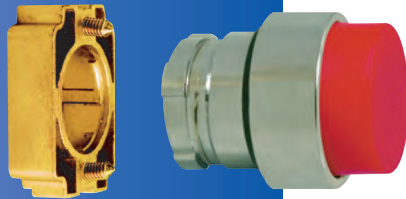
*Momentary  
with mounting bracket*



Color	Cat No.
<input type="checkbox"/> White	2AB1
<input type="checkbox"/> Black	2AB2
<input type="checkbox"/> Green	2AB3
<input type="checkbox"/> Red	2AB4
<input type="checkbox"/> Blue	2AB6
<input type="checkbox"/> Yellow	2AB8

## Projecting

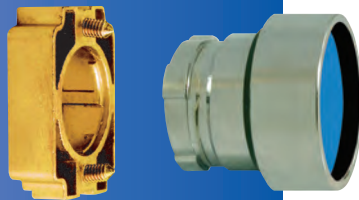
*Momentary  
with mounting bracket*



Color	Cat No.
<input type="checkbox"/> White	2AP1
<input type="checkbox"/> Black	2AP2
<input type="checkbox"/> Green	2AP3
<input type="checkbox"/> Red	2AP4
<input type="checkbox"/> Blue	2AP6
<input type="checkbox"/> Yellow	2AP8

## Recessed

*Momentary  
with mounting bracket*



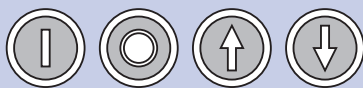
Color	Cat No.
<input type="checkbox"/> White	2AF1RH
<input type="checkbox"/> Black	2AF2RH
<input type="checkbox"/> Green	2AF3RH
<input type="checkbox"/> Red	2AF4RH
<input type="checkbox"/> Blue	2AF6RH
<input type="checkbox"/> Yellow	2AF8RH



All above operators available with remote attachment. Standard length is 50mm (2 in.), other lengths available upon request. Contact Altech for Part Number.

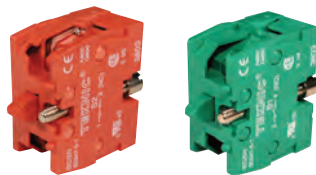


### Markings on Request



Altech Push Buttons are available in a variety of markings, including molded arrows. Please contact Altech for further information and part numbers.

### Switch Contacts *(sold separately)*



- Heavy-duty contact blocks with mounting screws. Blocks can be stacked 2 blocks across by 3 blocks deep for a total of 6 circuits.
- Contact blocks are available with silver contacts or gold plated contacts
- Self-wiping contacts

#### Panel Mount

Normally Open Silver	<b>S1</b>
Normally Closed Silver	<b>S2</b>
Normally Open Gold Plated	<b>S3</b>
Normally Closed Gold Plated	<b>S4</b>

#### Base Mount\*

Normally Open Silver	<b>S5</b>
Normally Closed Silver	<b>S6</b>
Normally Open Gold Plated	<b>S7</b>
Normally Closed Gold Plated	<b>S8</b>

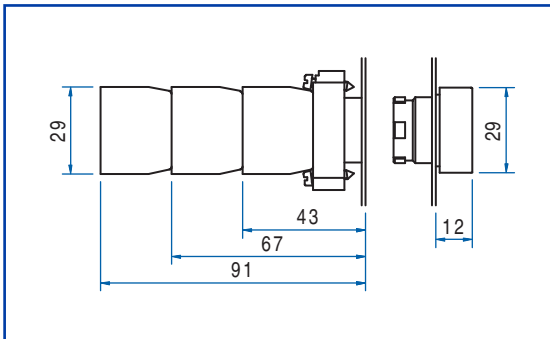
\* For use with non-illuminated operators in thermoplastic or aluminum enclosures listed on pages 30 and 36-37.



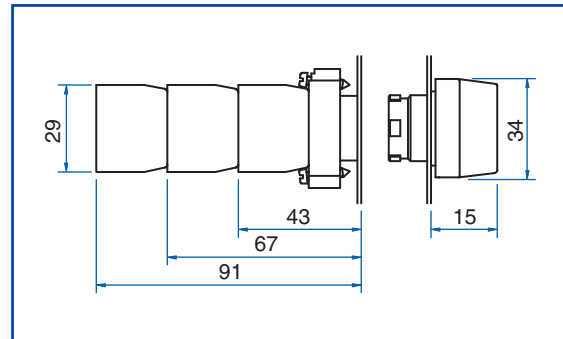
## Dimensional Drawings

All dimensions shown in millimeters.  
To convert to inches multiply by 0.03937

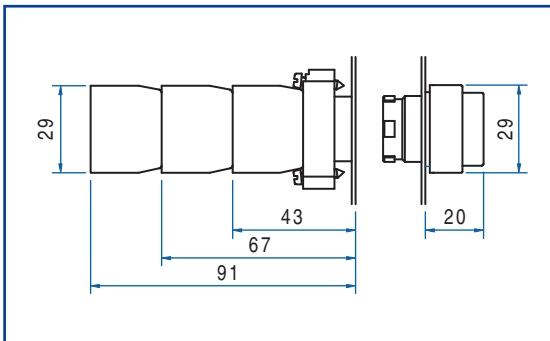
Non-Illuminated Flush



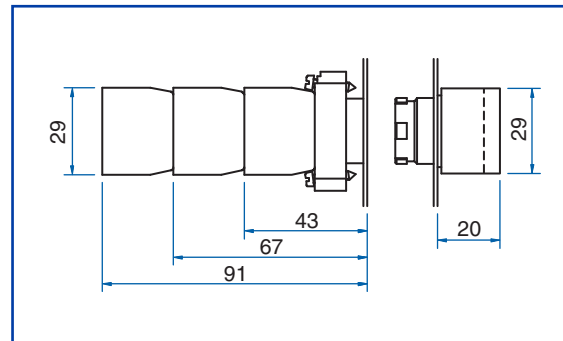
Non-Illuminated Booted



Non-Illuminated Projecting

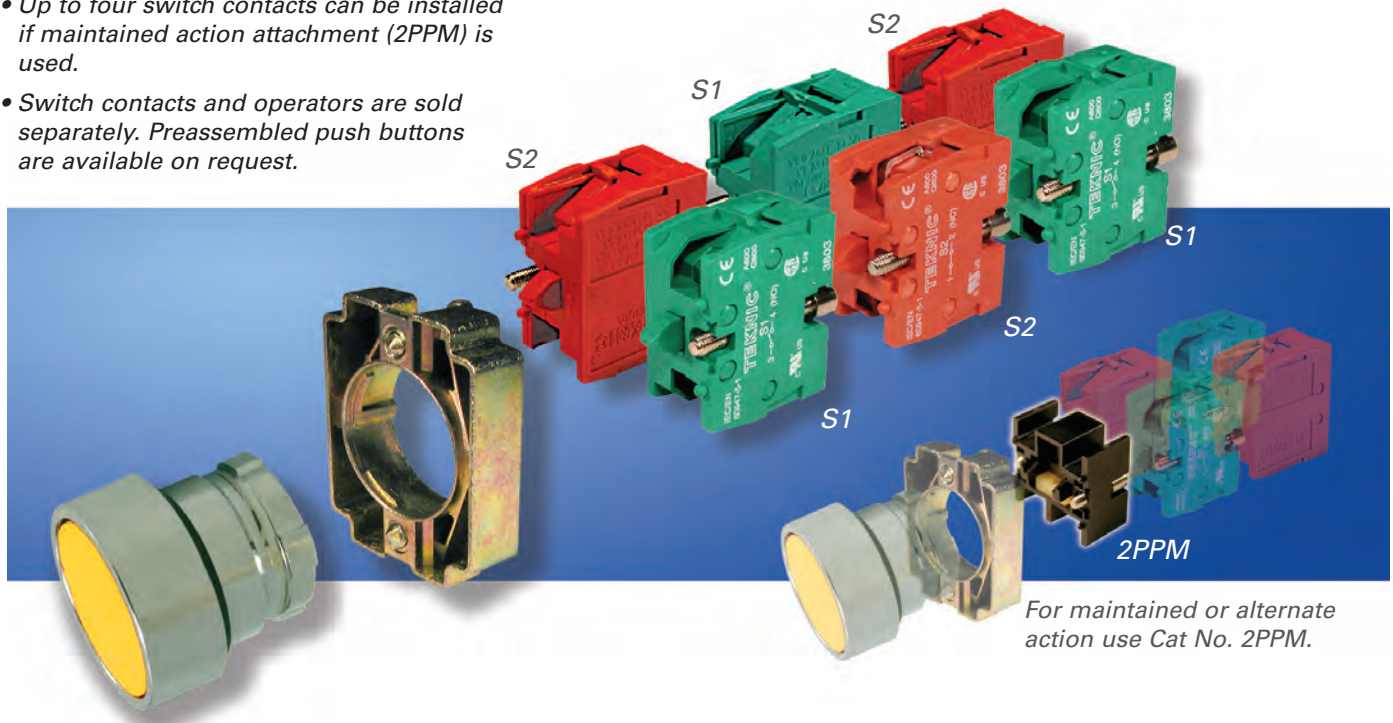


Non-Illuminated Recessed



## Exploded Assembly View

- Up to six switch contacts can be installed on any non-illuminated operator.
- Up to four switch contacts can be installed if maintained action attachment (2PPM) is used.
- Switch contacts and operators are sold separately. Preassembled push buttons are available on request.



For maintained or alternate action use Cat No. 2PPM.



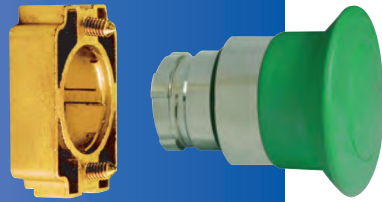
# 22mm Non-Illuminated Mushroom Metal Operators



Certified for  
**NEMA Type 4X**  
12 environment.

## Mushroom

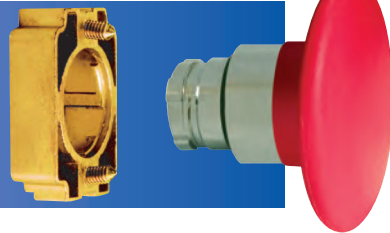
*Momentary  
with mounting bracket*



Color	Description	Cat No.
□ White	40mm, Head	2AM1
■ Black	40mm, Head	2AM2
■ Green	40mm, Head	2AM3
■ Red	40mm, Head	2AM4
■ Blue	40mm, Head	2AM6
■ Yellow	40mm, Head	2AM8

## Mushroom

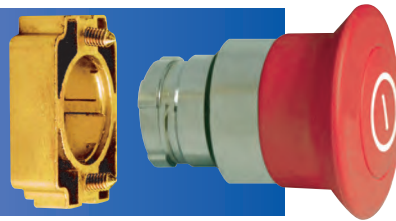
*Momentary Large  
with mounting bracket*



Color	Description	Cat No.
□ White	60mm, Head	2AMJ1
■ Black	60mm, Head	2AMJ2
■ Green	60mm, Head	2AMJ3
■ Red	60mm, Head	2AMJ4
■ Blue	60mm, Head	2AMJ6
■ Yellow	60mm, Head	2AMJ8

## Mushroom

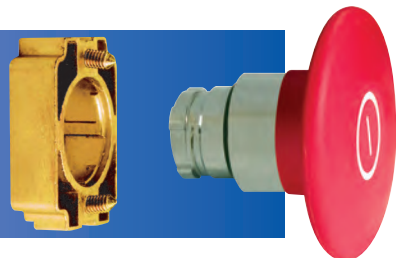
*Push-Pull  
with mounting bracket*



Color	Description	Cat No.
□ White	40mm, Head	2AMPP1
■ Black	40mm, Head	2AMPP2
■ Green	40mm, Head	2AMPP3
■ Red	40mm, Head	2AMPP4
■ Blue	40mm, Head	2AMPP6
■ Yellow	40mm, Head	2AMPP8

## Mushroom

*Push-Pull Large  
with mounting bracket*



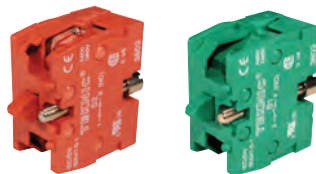
Color	Description	Cat No.
□ White	60mm, Head	2AMPPJ1
■ Black	60mm, Head	2AMPPJ2
■ Green	60mm, Head	2AMPPJ3
■ Red	60mm, Head	2AMPPJ4
■ Blue	60mm, Head	2AMPPJ6
■ Yellow	60mm, Head	2AMPPJ8

### Markings on Request



### Switch Contacts

*(sold separately)*



- Heavy-duty contact blocks with mounting screws. Blocks can be stacked 2 blocks across by 3 blocks deep for a total of 6 circuits.
- Contact blocks are available with silver contacts or gold plated contacts
- Self-wiping contacts

#### Panel Mount

Normally Open Silver	<b>S1</b>
Normally Closed Silver	<b>S2</b>
Normally Open Gold Plated	<b>S3</b>
Normally Closed Gold Plated	<b>S4</b>

#### Base Mount\*

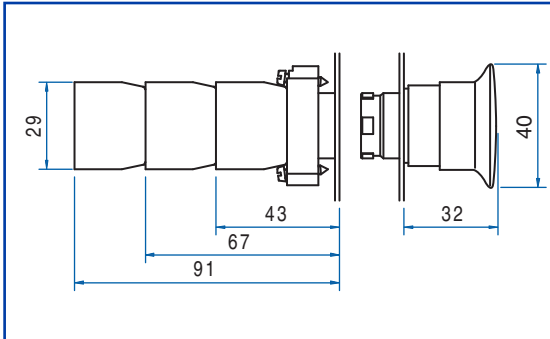
Normally Open Silver	<b>S5</b>
Normally Closed Silver	<b>S6</b>
Normally Open Gold Plated	<b>S7</b>
Normally Closed Gold Plated	<b>S8</b>

\* For use with non-illuminated operators in thermoplastic or aluminum enclosures listed on pages 30 and 36-37.

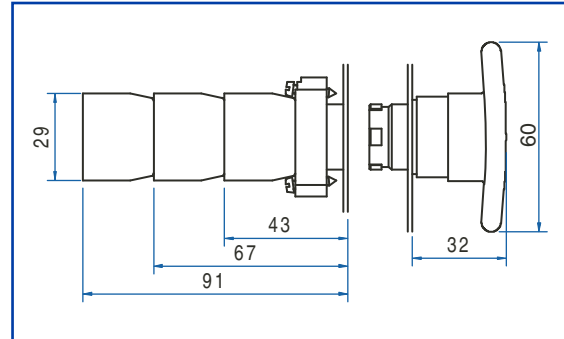
## Dimensional Drawings

All dimensions shown in millimeters.  
To convert to inches multiply by 0.03937

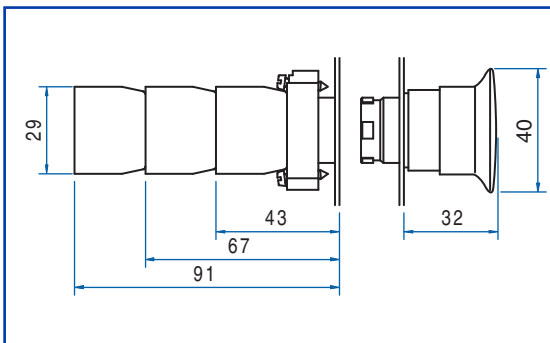
Mushroom Momentary



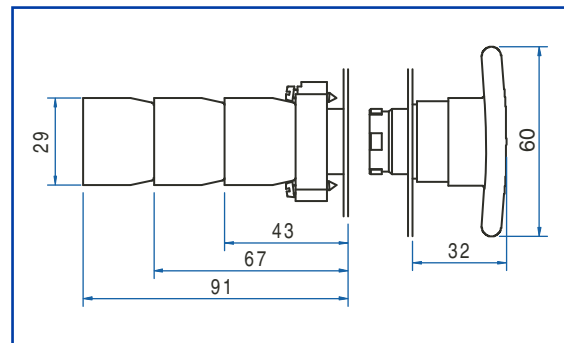
Mushroom Momentary Large



Mushroom Push-Pull

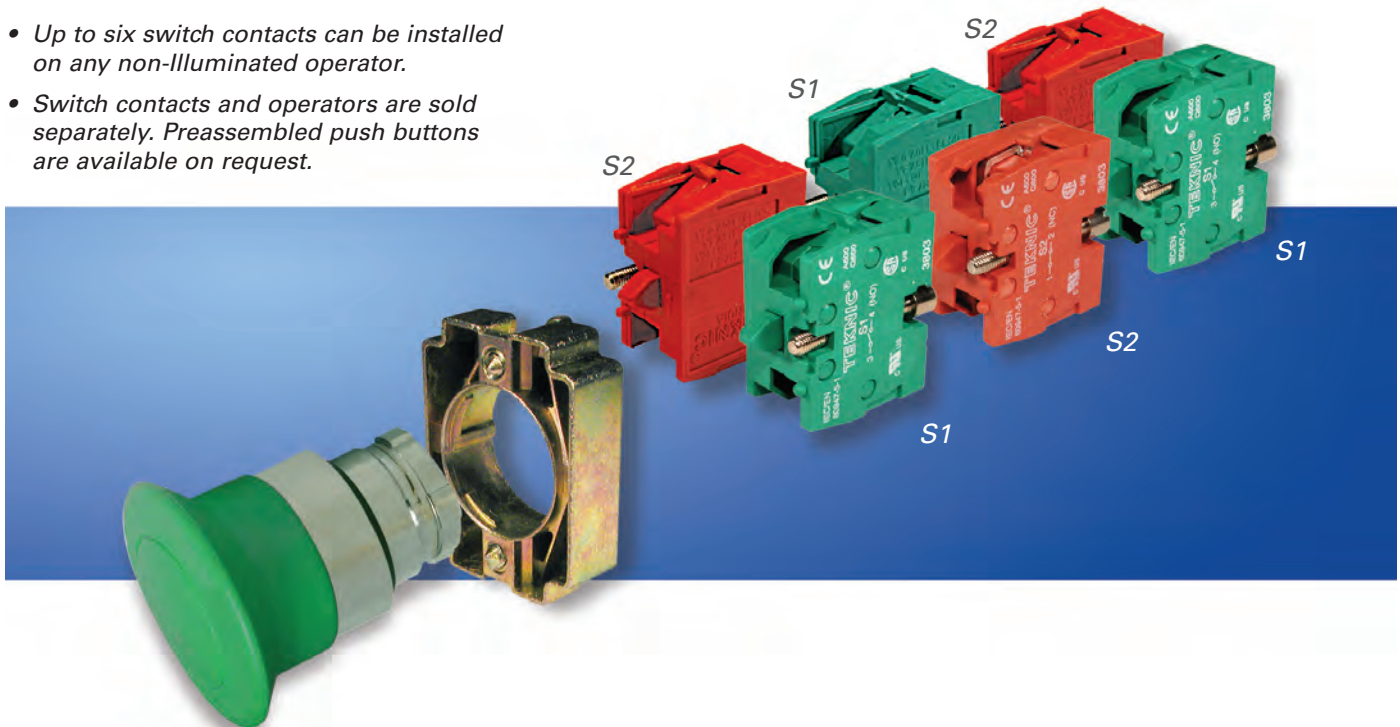


Mushroom Push-Pull Large



## Exploded Assembly View

- Up to six switch contacts can be installed on any non-illuminated operator.
- Switch contacts and operators are sold separately. Preassembled push buttons are available on request.



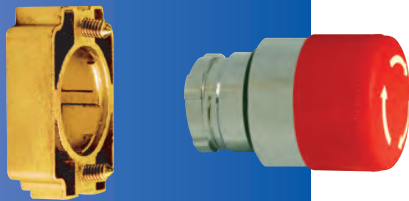


# 22mm Non-Illuminated Mushroom Metal Operators



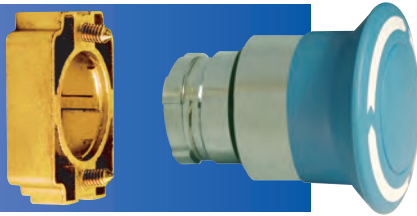
Certified for  
**NEMA Type 4X**  
12 environment.

**Mushroom**  
*Push-Turn Small*  
with mounting bracket



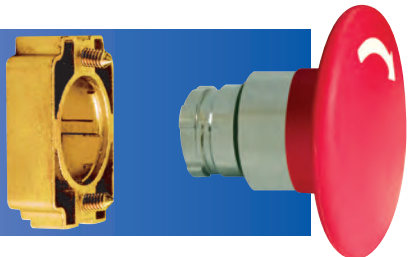
Color	Description	Cat No.
□ White	30 mm, Head	2AMLS1
■ Black	30 mm, Head	2AMLS2
■ Green	30 mm, Head	2AMLS3
■ Red	30 mm, Head	2AMLS4
■ Blue	30 mm, Head	2AMLS6
■ Yellow	30 mm, Head	2AMLS8

**Mushroom**  
*Push-Turn*  
with mounting bracket



Color	Description	Cat No.
□ White	40mm, Head	2AML1
■ Black	40mm, Head	2AML2
■ Green	40mm, Head	2AML3
■ Red	40mm, Head	2AML4
■ Blue	40mm, Head	2AML6
■ Yellow	40mm, Head	2AML8

**Mushroom**  
*Push-Turn Large*  
with mounting bracket



Color	Description	Cat No.
□ White	60mm, Head	2AMLJ1
■ Black	60mm, Head	2AMLJ2
■ Green	60mm, Head	2AMLJ3
■ Red	60mm, Head	2AMLJ4
■ Blue	60mm, Head	2AMLJ6
■ Yellow	60mm, Head	2AMLJ8

**Mushroom**  
*with Key Release*  
with mounting bracket



Color	Description	Cat No.
□ White	40mm, Head	2AMLKB1
■ Black	40mm, Head	2AMLKB2
■ Green	40mm, Head	2AMLKB3
■ Red	40mm, Head	2AMLKB4
■ Blue	40mm, Head	2AMLKB6
■ Yellow	40mm, Head	2AMLKB8

All keys are "keyed alike". Different keys are available on request.



**Replacement Key**

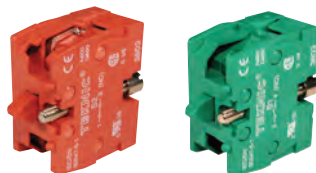
**2KY455**

## Markings on Request



Altech Push Buttons are available in a variety of custom markings.

## Switch Contacts *(sold separately)*



- Heavy-duty contact blocks with mounting screws. Blocks can be stacked 2 blocks across by 3 blocks deep for a total of 6 circuits.
- Contact blocks are available with silver contacts or gold plated contacts
- Self-wiping contacts

### Panel Mount

Normally Open Silver	<b>S1</b>
Normally Closed Silver	<b>S2</b>
Normally Open Gold Plated	<b>S3</b>
Normally Closed Gold Plated	<b>S4</b>

### Base Mount\*

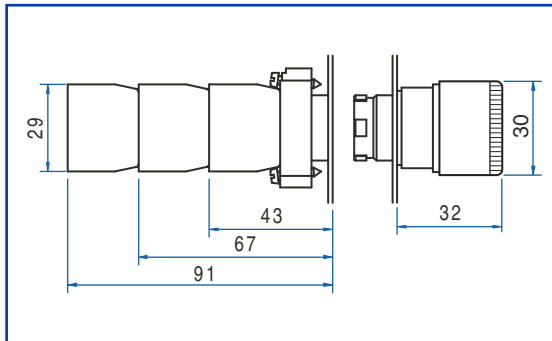
Normally Open Silver	<b>S5</b>
Normally Closed Silver	<b>S6</b>
Normally Open Gold Plated	<b>S7</b>
Normally Closed Gold Plated	<b>S8</b>

\* For use with non-illuminated operators in thermoplastic or aluminum enclosures listed on pages 30 and 36-37.

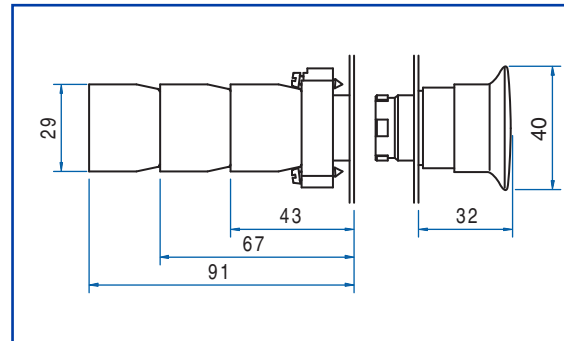
## Dimensional Drawings

All dimensions shown in millimeters.  
To convert to inches multiply by 0.03937

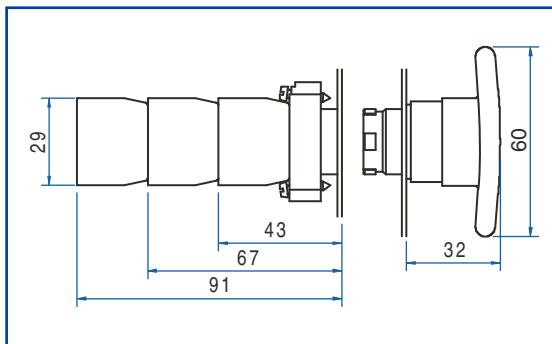
Mushroom Push-Turn Small



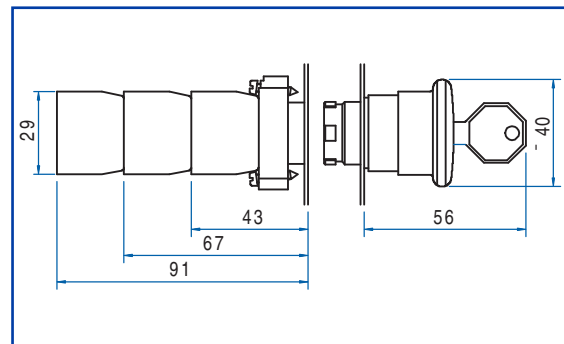
Mushroom Push-Turn



Mushroom Push-Turn Large

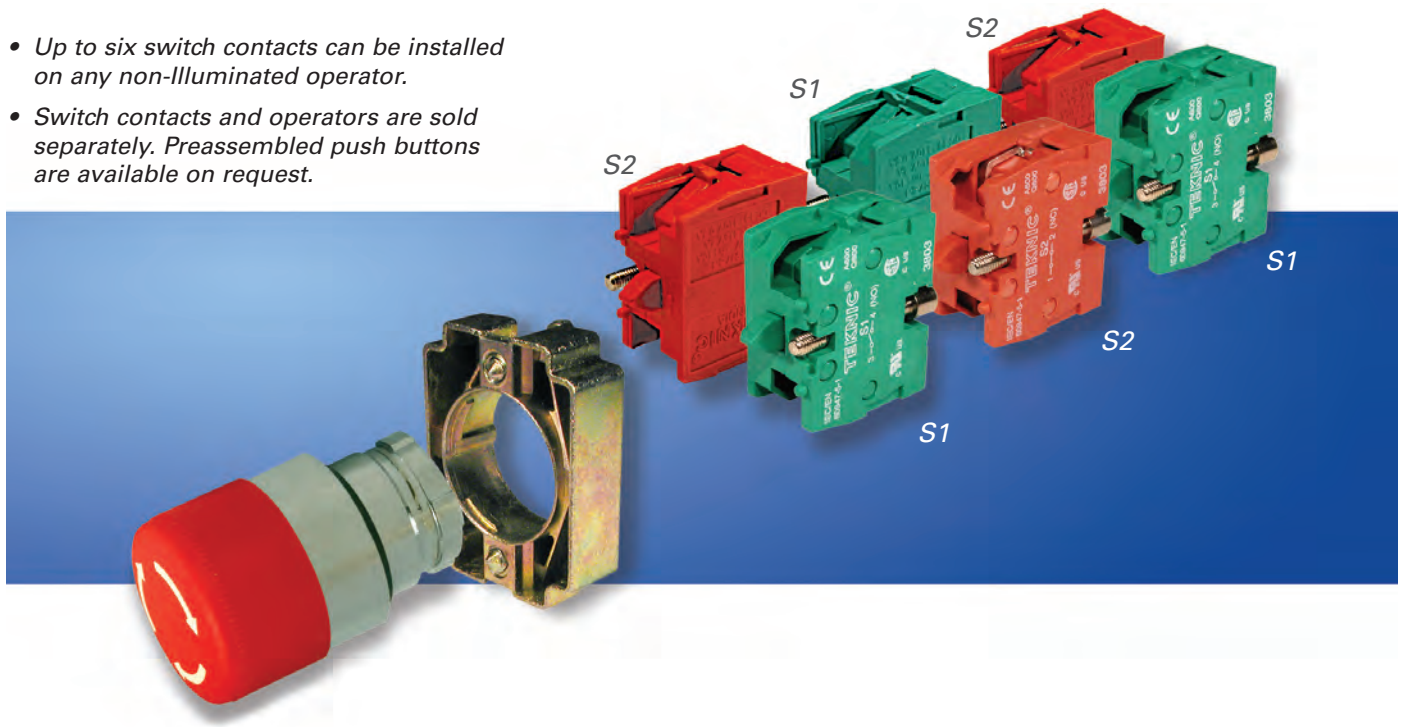


Mushroom with Key Release



## Exploded Assembly View

- Up to six switch contacts can be installed on any non-illuminated operator.
- Switch contacts and operators are sold separately. Preassembled push buttons are available on request.





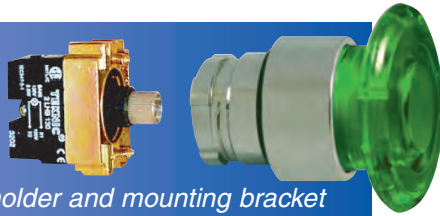
# 22mm LED Illuminated Mushroom Metal Operators



Certified for  
**NEMA Type 4X**  
12 environment.

## Mushroom Illuminated Momentary

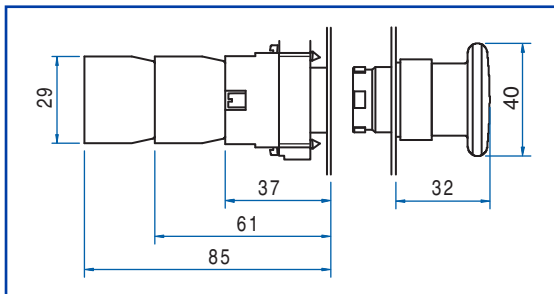
with LED bulb, bulb holder and mounting bracket



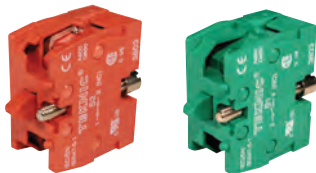
### Dimensional Drawings

All dimensions shown in millimeters.  
To convert to inches multiply by 0.03937

Illuminated Mushroom Momentary



### Switch Contacts (sold separately)



- Heavy-duty contact blocks with mounting screws. Blocks can be stacked 2 blocks across by 3 blocks deep for a total of 6 circuits.
- Contact blocks are available with silver contacts or gold plated contacts
- Self-wiping contacts

#### Panel Mount

Normally Open Silver	<b>S1</b>
Normally Closed Silver	<b>S2</b>
Normally Open Gold Plated	<b>S3</b>
Normally Closed Gold Plated	<b>S4</b>

#### Base Mount\*

Normally Open Silver	<b>S5</b>
Normally Closed Silver	<b>S6</b>
Normally Open Gold Plated	<b>S7</b>
Normally Closed Gold Plated	<b>S8</b>

\* For use with non-illuminated operators in thermoplastic or aluminum enclosures listed on pages 30 and 36-37.

### Color Description Cat No.

#### 12V AC/DC

<input type="checkbox"/>	White	40mm Head, 12VAC/DC	2ALM1LB-012
<input type="checkbox"/>	Green	40mm Head, 12VAC/DC	2ALM3LB-012
<input type="checkbox"/>	Red	40mm Head, 12VAC/DC	2ALM4LB-012
<input type="checkbox"/>	Amber	40mm Head, 12VAC/DC	2ALM5LB-012
<input type="checkbox"/>	Blue	40mm Head, 12VAC/DC	2ALM6LB-012
<input type="checkbox"/>	Clear	40mm Head, 12VAC/DC	2ALM7LB-012
<input type="checkbox"/>	Yellow	40mm Head, 12VAC/DC	2ALM8LB-012

#### 24V AC/DC

<input type="checkbox"/>	White	40mm Head, 24VAC/DC	2ALM1LB-024
<input type="checkbox"/>	Green	40mm Head, 24VAC/DC	2ALM3LB-024
<input type="checkbox"/>	Red	40mm Head, 24VAC/DC	2ALM4LB-024
<input type="checkbox"/>	Amber	40mm Head, 24VAC/DC	2ALM5LB-024
<input type="checkbox"/>	Blue	40mm Head, 24VAC/DC	2ALM6LB-024
<input type="checkbox"/>	Clear	40mm Head, 24VAC/DC	2ALM7LB-024
<input type="checkbox"/>	Yellow	40mm Head, 24VAC/DC	2ALM8LB-024

#### 48V AC/DC

<input type="checkbox"/>	White	40mm Head, 48VAC/DC	2ALM1LB-048
<input type="checkbox"/>	Green	40mm Head, 48VAC/DC	2ALM3LB-048
<input type="checkbox"/>	Red	40mm Head, 48VAC/DC	2ALM4LB-048
<input type="checkbox"/>	Amber	40mm Head, 48VAC/DC	2ALM5LB-048
<input type="checkbox"/>	Blue	40mm Head, 48VAC/DC	2ALM6LB-048
<input type="checkbox"/>	Clear	40mm Head, 48VAC/DC	2ALM7LB-048
<input type="checkbox"/>	Yellow	40mm Head, 48VAC/DC	2ALM8LB-048

#### 110V AC\*

<input type="checkbox"/>	White	40mm Head, 110VAC*	2ALM1LB-110
<input type="checkbox"/>	Green	40mm Head, 110VAC*	2ALM3LB-110
<input type="checkbox"/>	Red	40mm Head, 110VAC*	2ALM4LB-110
<input type="checkbox"/>	Amber	40mm Head, 110VAC*	2ALM5LB-110
<input type="checkbox"/>	Blue	40mm Head, 110VAC*	2ALM6LB-110
<input type="checkbox"/>	Clear	40mm Head, 110VAC*	2ALM7LB-110
<input type="checkbox"/>	Yellow	40mm Head, 110VAC*	2ALM8LB-110

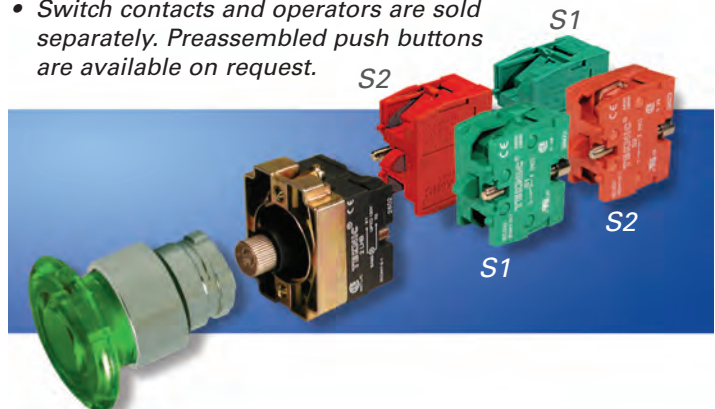
#### 230V AC\*

<input type="checkbox"/>	White	40mm Head, 230VAC*	2ALM1LB-230
<input type="checkbox"/>	Green	40mm Head, 230VAC*	2ALM3LB-230
<input type="checkbox"/>	Red	40mm Head, 230VAC*	2ALM4LB-230
<input type="checkbox"/>	Amber	40mm Head, 230VAC*	2ALM5LB-230
<input type="checkbox"/>	Blue	40mm Head, 230VAC*	2ALM6LB-230
<input type="checkbox"/>	Clear	40mm Head, 230VAC*	2ALM7LB-230
<input type="checkbox"/>	Yellow	40mm Head, 230VAC*	2ALM8LB-230

\*110V DC and 230V DC version is available on request.

### Exploded Assembly View

- Up to four switch contacts can be installed with any illuminated operators.
- Switch contacts and operators are sold separately. Preassembled push buttons are available on request.



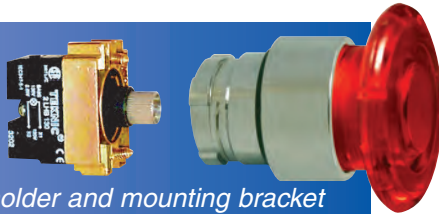
## 22mm LED Illuminated Mushroom Metal Operators



Certified for  
**NEMA Type 4X**  
12 environment.

### Mushroom Illuminated Push-Pull

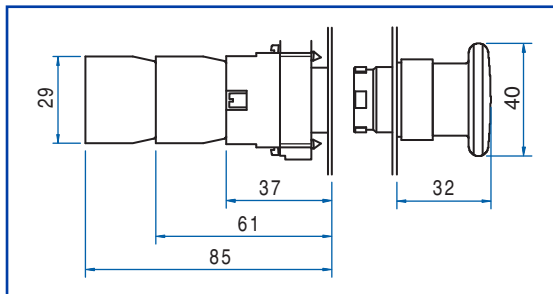
with LED bulb, bulb holder and mounting bracket



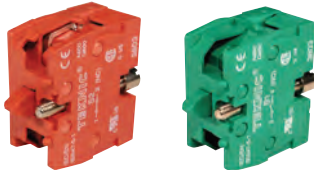
### Dimensional Drawings

All dimensions shown in millimeters.  
To convert to inches multiply by 0.03937

Illuminated Mushroom Push-Pull



### Switch Contacts (sold separately)



- Heavy-duty contact blocks with mounting screws. Blocks can be stacked 2 blocks across by 3 blocks deep for a total of 6 circuits.
- Contact blocks are available with silver contacts or gold plated contacts
- Self-wiping contacts

#### Panel Mount

Normally Open Silver	<b>S1</b>
Normally Closed Silver	<b>S2</b>
Normally Open Gold Plated	<b>S3</b>
Normally Closed Gold Plated	<b>S4</b>

#### Base Mount\*

Normally Open Silver	<b>S5</b>
Normally Closed Silver	<b>S6</b>
Normally Open Gold Plated	<b>S7</b>
Normally Closed Gold Plated	<b>S8</b>

\* For use with non-illuminated operators in thermoplastic or aluminum enclosures listed on pages 30 and 36-37.

Color	Description	Cat No.
-------	-------------	---------

#### 12V AC/DC

<input type="checkbox"/>	White	40mm Head, 12VAC/DC	2ALMPP1LB-012
<input checked="" type="checkbox"/>	Green	40mm Head, 12VAC/DC	2ALMPP3LB-012
<input checked="" type="checkbox"/>	Red	40mm Head, 12VAC/DC	2ALMPP4LB-012
<input checked="" type="checkbox"/>	Amber	40mm Head, 12VAC/DC	2ALMPP5LB-012
<input checked="" type="checkbox"/>	Blue	40mm Head, 12VAC/DC	2ALMPP6LB-012
<input type="checkbox"/>	Clear	40mm Head, 12VAC/DC	2ALMPP7LB-012
<input checked="" type="checkbox"/>	Yellow	40mm Head, 12VAC/DC	2ALMPP8LB-012

#### 24V AC/DC

<input type="checkbox"/>	White	40mm Head, 24VAC/DC	2ALMPP1LB-024
<input checked="" type="checkbox"/>	Green	40mm Head, 24VAC/DC	2ALMPP3LB-024
<input checked="" type="checkbox"/>	Red	40mm Head, 24VAC/DC	2ALMPP4LB-024
<input checked="" type="checkbox"/>	Amber	40mm Head, 24VAC/DC	2ALMPP5LB-024
<input checked="" type="checkbox"/>	Blue	40mm Head, 24VAC/DC	2ALMPP6LB-024
<input type="checkbox"/>	Clear	40mm Head, 24VAC/DC	2ALMPP7LB-024
<input checked="" type="checkbox"/>	Yellow	40mm Head, 24VAC/DC	2ALMPP8LB-024

#### 48V AC/DC

<input type="checkbox"/>	White	40mm Head, 48VAC/DC	2ALMPP1LB-048
<input checked="" type="checkbox"/>	Green	40mm Head, 48VAC/DC	2ALMPP3LB-048
<input checked="" type="checkbox"/>	Red	40mm Head, 48VAC/DC	2ALMPP4LB-048
<input checked="" type="checkbox"/>	Amber	40mm Head, 48VAC/DC	2ALMPP5LB-048
<input checked="" type="checkbox"/>	Blue	40mm Head, 48VAC/DC	2ALMPP6LB-048
<input type="checkbox"/>	Clear	40mm Head, 48VAC/DC	2ALMPP7LB-048
<input checked="" type="checkbox"/>	Yellow	40mm Head, 48VAC/DC	2ALMPP8LB-048

#### 110V AC\*

<input type="checkbox"/>	White	40mm Head, 110VAC*	2ALMPP1LB-110
<input checked="" type="checkbox"/>	Green	40mm Head, 110VAC*	2ALMPP3LB-110
<input checked="" type="checkbox"/>	Red	40mm Head, 110VAC*	2ALMPP4LB-110
<input checked="" type="checkbox"/>	Amber	40mm Head, 110VAC*	2ALMPP5LB-110
<input checked="" type="checkbox"/>	Blue	40mm Head, 110VAC*	2ALMPP6LB-110
<input type="checkbox"/>	Clear	40mm Head, 110VAC*	2ALMPP7LB-110
<input checked="" type="checkbox"/>	Yellow	40mm Head, 110VAC*	2ALMPP8LB-110

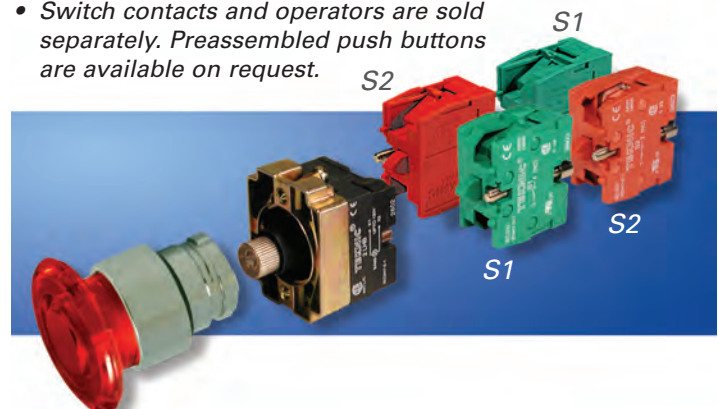
#### 230V AC\*

<input type="checkbox"/>	White	40mm Head, 230VAC*	2ALMPP1LB-230
<input checked="" type="checkbox"/>	Green	40mm Head, 230VAC*	2ALMPP3LB-230
<input checked="" type="checkbox"/>	Red	40mm Head, 230VAC*	2ALMPP4LB-230
<input checked="" type="checkbox"/>	Amber	40mm Head, 230VAC*	2ALMPP5LB-230
<input checked="" type="checkbox"/>	Blue	40mm Head, 230VAC*	2ALMPP6LB-230
<input type="checkbox"/>	Clear	40mm Head, 230VAC*	2ALMPP7LB-230
<input checked="" type="checkbox"/>	Yellow	40mm Head, 230VAC*	2ALMPP8LB-230

\*110V DC and 230V DC version is available on request.

### Exploded Assembly View

- Up to four switch contacts can be installed with any illuminated operators.
- Switch contacts and operators are sold separately. Preassembled push buttons are available on request.

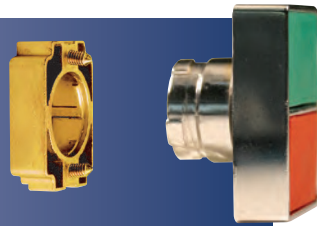




# 22mm Twin Touch Metal Non-Illuminated Operators



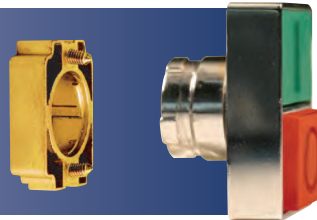
## Twin Touch/ Not Marked *with mounting bracket*



Arrows marking available upon request.

Color	Description	Cat No.
	GREEN-RED Flush	2ATF3-F4
	YELLOW-BLACK Flush	2ATF8-F2
	BLACK-WHITE Flush	2ATF2-F1
	GREEN-RED Green Flush, Red Projecting	2ATF3-P4
	YELLOW-BLACK Yellow Flush, Black Projecting	2ATF8-P2
	WHITE-BLACK White Flush, Black Projecting	2ATF1-P2

## Twin Touch I-O Marked *with mounting bracket*



Arrows marking available upon request.

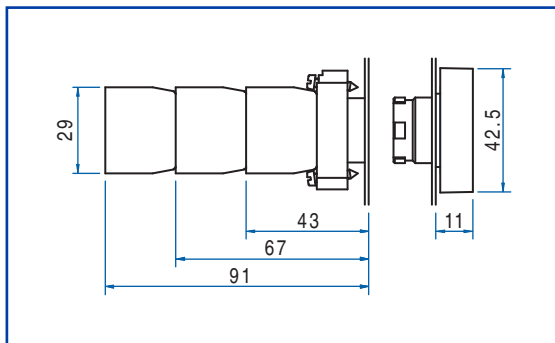
Color	Description	Cat No.
	GREEN-RED Flush	2ATF3-F4-IO
	YELLOW-BLACK Flush	2ATF8-F2-IO
	BLACK-WHITE* Flush	2ATF2-F1-IO
	GREEN-RED Green Flush, Red Projecting	2ATF3-P4-IO
	YELLOW-BLACK Yellow Flush, Black Projecting	2ATF8-P2-IO
	WHITE-BLACK* White Flush, Black Projecting	2ATF1-P2-IO

\*Comply with vision impaired requirements.

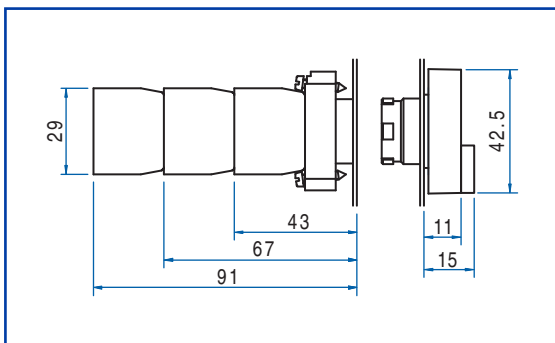
## Dimensional Drawings

All dimensions shown in millimeters.  
To convert to inches multiply by 0.03937

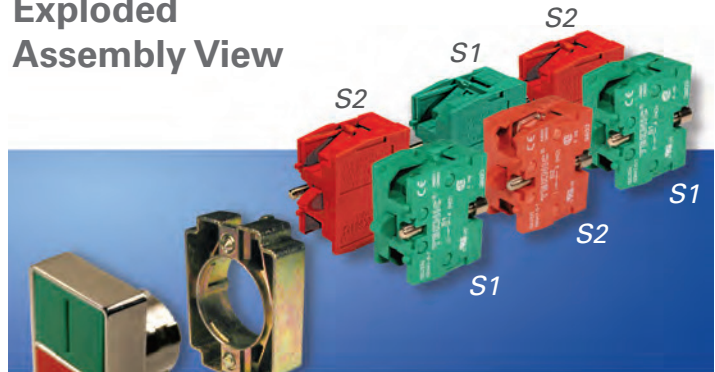
Twin Touch/ Flush



Twin Touch/ Flush/ Projecting

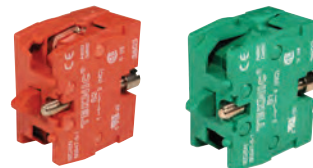


## Exploded Assembly View



- Up to four switch contacts can be installed with any illuminated operators.
- Switch contacts and operators are sold separately. Preassembled push buttons are available on request.

## Switch Contacts *(sold separately)*



- Heavy-duty contact blocks with mounting screws. Blocks can be stacked 2 blocks across by 3 blocks deep for a total of 6 circuits.
- Contact blocks are available with silver contacts or gold plated contacts
- Self-wiping contacts

	Panel Mount Cat No.	Base Mount* Cat No.
Normally Open Silver	S1	S5
Normally Closed Silver	S2	S6
Normally Open Gold plated	S3	S7
Normally Closed Gold plated	S4	S8

\*For use with non-illuminated operators in thermoplastic or aluminum enclosures listed on pages 30 and 36-37.

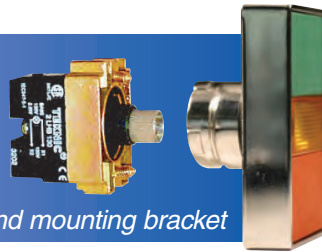
# 22mm Twin Touch Metal LED Illuminated Operators



## Illuminated Center Twin Touch/ Not Marked

with LED bulb, bulb holder and mounting bracket

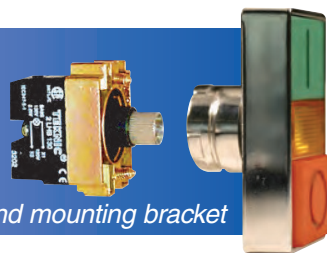
Arrows marking available upon request.  
Other lense colors available upon request.



## Illuminated Center Twin Touch/ I-O Marked

with LED bulb, bulb holder and mounting bracket

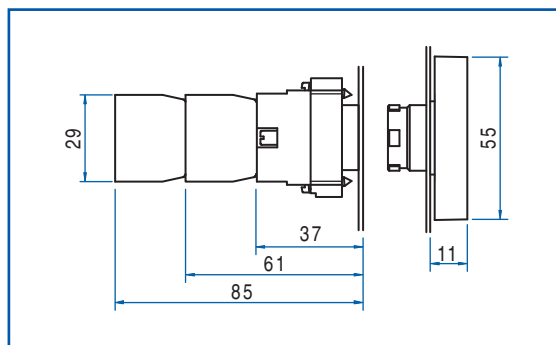
Arrows marking available upon request.  
Other lense colors available upon request.



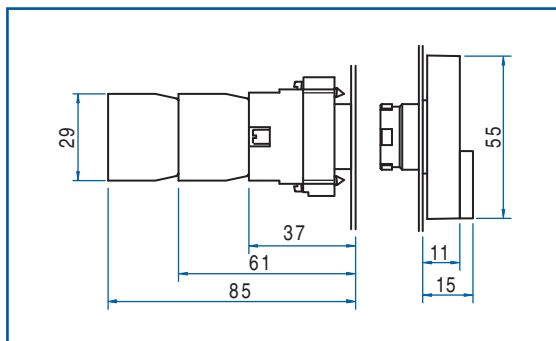
## Dimensional Drawings

All dimensions shown in millimeters.  
To convert to inches multiply by 0.03937

Illuminated Twin Touch/ Flush



Illuminated Twin Touch/ Flush/ Projecting



### Color Description Cat No.

#### GREEN-RED, Flush, Illuminated Center

	Amber	12VAC/DC	2ATL5LB F3F4-012
	Amber	24VAC/DC	2ATL5LB F3F4-024
	Amber	48VAC/DC	2ATL5LB F3F4-048
	Amber	110VAC**	2ATL5LB F3F4-110
	Amber	230VAC**	2ATL5LB F3F4-230

#### GREEN-RED, Green Flush/ Red Projecting, Illuminated center

	Amber	12VAC/DC	2ATL5LB F3P4-012
	Amber	24VAC/DC	2ATL5LB F3P4-024
	Amber	48VAC/DC	2ATL5LB F3P4-048
	Amber	110VAC**	2ATL5LB F3P4-110
	Amber	230VAC**	2ATL5LB F3P4-230

### Color Description Cat No.

#### GREEN-RED, Flush, Illuminated Center

	Amber	12VAC/DC	2ATL5LB F3F4-IO-012
	Amber	24VAC/DC	2ATL5LB F3F4-IO-024
	Amber	48VAC/DC	2ATL5LB F3F4-IO-048
	Amber	110VAC**	2ATL5LB F3F4-IO-110
	Amber	230VAC**	2ATL5LB F3F4-IO-230

#### GREEN-RED, Green Flush/ Red Projecting, Illuminated Center

	Amber	12VAC/DC	2ATL5LB F3P4-IO-012
	Amber	24VAC/DC	2ATL5LB F3P4-IO-024
	Amber	48VAC/DC	2ATL5LB F3P4-IO-048
	Amber	110VAC**	2ATL5LB F3P4-IO-110
	Amber	230VAC**	2ATL5LB F3P4-IO-230

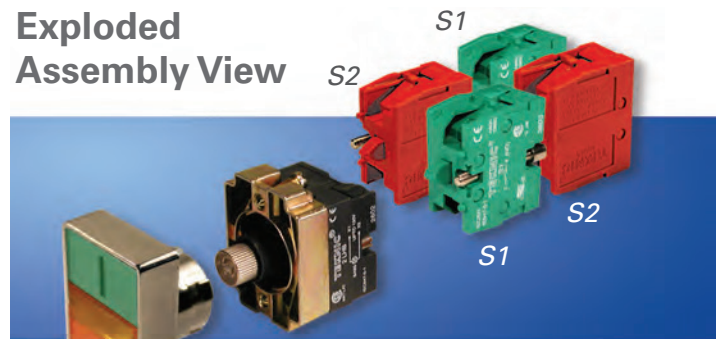
#### WHITE-BLACK\*, Flush, Illuminated Center

	Amber	12VAC/DC	2ATL5LB F2F1-IO-012
	Amber	24VAC/DC	2ATL5LB F2F1-IO-024
	Amber	48VAC/DC	2ATL5LB F2F1-IO-048
	Amber	110VAC**	2ATL5LB F2F1-IO-110
	Amber	230VAC**	2ATL5LB F2F1-IO-230

\* Comply with vision impaired requirements.

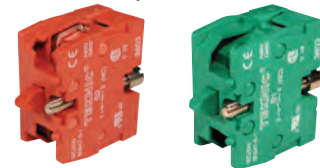
\*\* 110V DC and 230V DC version is available on request.

## Exploded Assembly View



- Up to four switch contacts can be installed with any illuminated operators.
- Switch contacts and operators are sold separately. Preassembled push buttons are available on request.

## Switch Contacts (sold separately)



	Panel Mount Cat No.	Base Mount* Cat No.
Normally Open Silver	S1	S5
Normally Closed Silver	S2	S6
Normally Open Gold plated	S3	S7
Normally Closed Gold plated	S4	S8

\* For use with non-illuminated operators in thermoplastic or aluminum enclosures listed on pages 30 and 36-37.



# 22mm Non-Illuminated Metal Selector Switch Operators



Certified for  
**NEMA Type 4X**  
12 environment.

## Key Selector

with mounting bracket



Other key combinations and colors are available on request.  
All keys are "keyed alike". Different keys are available on request.

Color	Description	Key Removal	Cat No.
■ Black	Maintained	Left/Right	2AK2-01
■ Black	Maintained	Left	2AK2-02
■ Black	Maintained	Right	2AK2-03
■ Black	Spring Return	Left	2AK2-04
■ Black	Maintained	Left/Right	2AK2-05
■ Black	Maintained	All	2AK2-06
■ Black	Maintained	Center	2AK2-07
■ Black	Spring Return	Center	2AK2-08
■ Black	Spring Return	Center	2AK2-09
■ Black	Spring Return	Center	2AK2-10
■ Black	Maintained	Left	2AK2-11



**Replacement Key**

**2KY455**

## Selector

with mounting bracket



Other colors are available on request.

Color	Description	Cat No.
■ Black	Maintained	2AS2-1
■ Black	Spring Return	2AS2-2
■ Black	Maintained	2AS2-3
■ Black	Spring Return	2AS2-4
■ Black	Spring Return	2AS2-5
■ Black	Spring Return	2AS2-6

## Extended Selector

with mounting bracket



Other colors are available on request.

Color	Description	Cat No.
■ Black	Maintained	2AS2E-1
■ Black	Spring Return	2AS2E-2
■ Black	Maintained	2AS2E-3
■ Black	Spring Return	2AS2E-4
■ Black	Spring Return	2AS2E-5
■ Black	Spring Return	2AS2E-6

## Switch Contacts

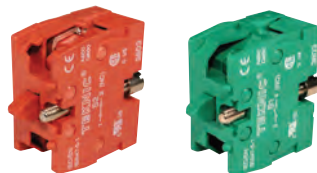
(sold separately)



### Markings on Request



Altech Push Buttons are available in a variety of markings, including molded arrows. Please contact Altech for further information and part numbers.



- Heavy-duty contact blocks with mounting screws. Blocks can be stacked 2 blocks across by 3 blocks deep for a total of 6 circuits.
- Contact blocks are available with silver contacts or gold plated contacts
- Self-wiping contacts

### Panel Mount

Normally Open Silver	<b>S1</b>
Normally Closed Silver	<b>S2</b>
Normally Open Gold Plated	<b>S3</b>
Normally Closed Gold Plated	<b>S4</b>

### Base Mount\*

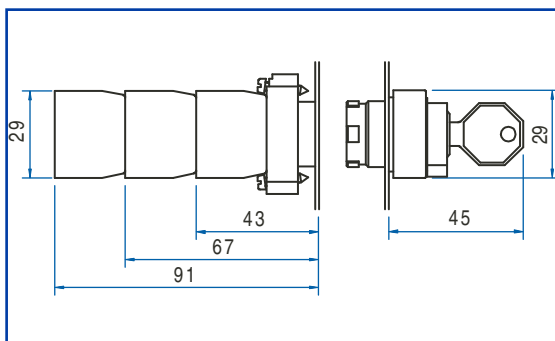
Normally Open Silver	<b>S5</b>
Normally Closed Silver	<b>S6</b>
Normally Open Gold Plated	<b>S7</b>
Normally Closed Gold Plated	<b>S8</b>

\* For use with non-illuminated operators in thermoplastic or aluminum enclosures listed on pages 30 and 36-37.

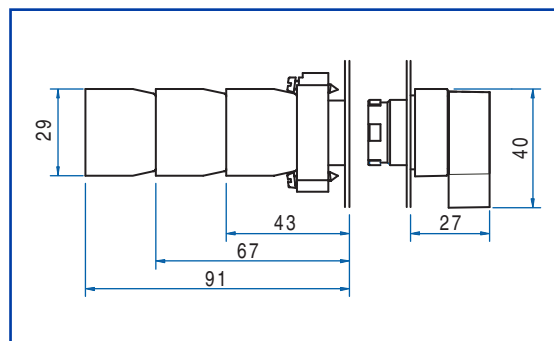
## Dimensional Drawings

All dimensions shown in millimeters.  
To convert to inches multiply by 0.03937

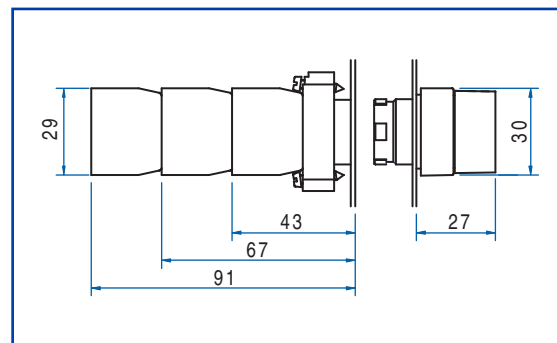
Key Selector



Extended Selector



Selector



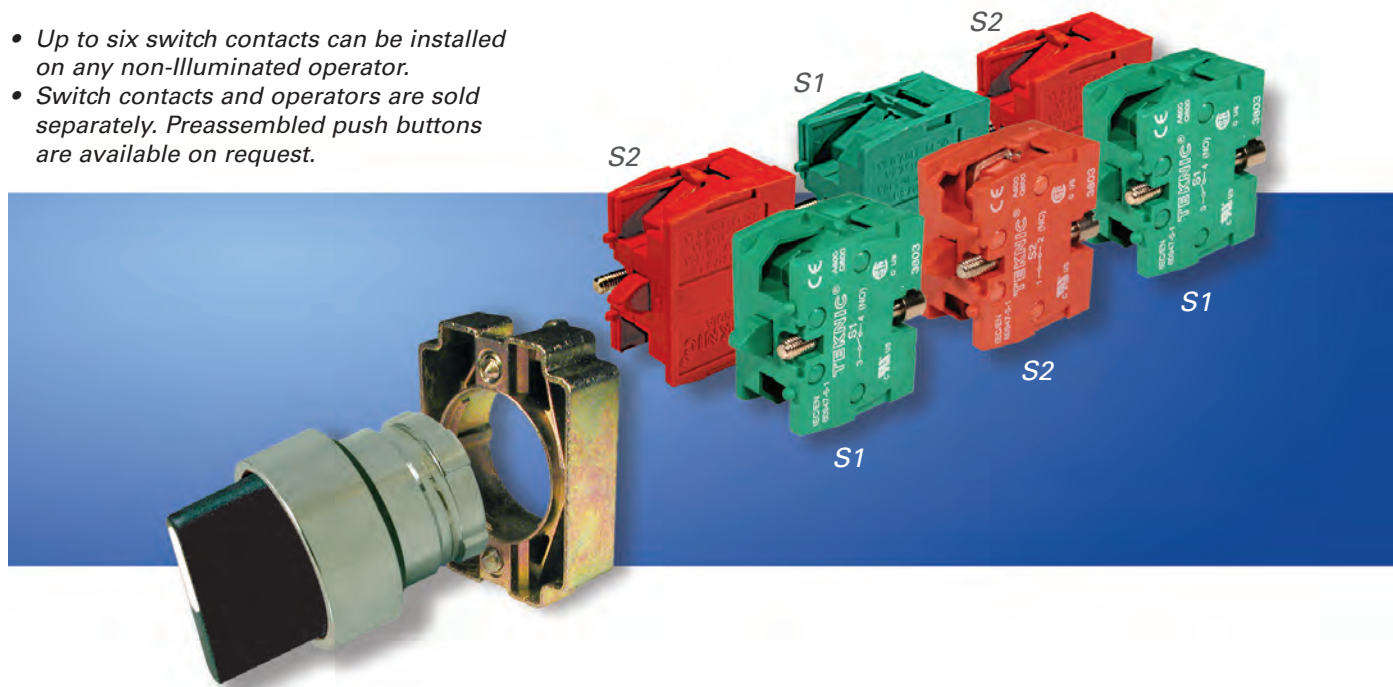
3 POSITION  
SELECTOR SWITCH  
CONTACT BLOCK GUIDE

			CONTACTOR BLOCK GUIDE
x	o	o	1 NO (left)
o	x	o	2 NC in series (side x side)
o	o	x	1 NO (right)
x	x	o	1 NC (right)
o	x	x	1 NC (left)
x	o	x	2 NO in parallel (side x side)

(Left or right as seen from front of operator)

## Exploded Assembly View

- Up to six switch contacts can be installed on any non-illuminated operator.
- Switch contacts and operators are sold separately. Preassembled push buttons are available on request.





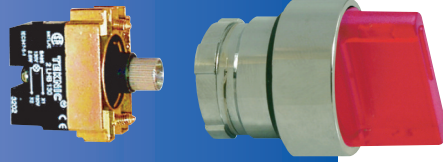
# 22mm LED Illuminated Metal Selector Switch Operators



Certified for  
**NEMA Type 4X**  
12 environment.

## Selector

with bulb holder,  
LED bulb and  
mounting bracket



Other combinations and colors available upon request.  
Please contact Altech for further information and part numbers.

### XXX = Voltage Codes

<b>012</b>	=	12VAC/DC
<b>024</b>	=	24VAC/DC
<b>048</b>	=	48VAC/DC
<b>110</b>	=	110VAC/DC
<b>230</b>	=	230VAC
<b>230D</b>	=	230VDC

**SAMPLE  
ASSEMBLY**



Push button assemblies are available  
in a variety of custom configurations.



Replacement  
bulbs available.  
See page 39.

## Color Function Cat No.

### 2 Position

<input type="checkbox"/>	White		Maintained	2ASL1LB-1-XXX
<input type="checkbox"/>	Green		Maintained	2ASL3LB-1-XXX
<input type="checkbox"/>	Red		Maintained	2ASL4LB-1-XXX
<input type="checkbox"/>	Amber		Maintained	2ASL5LB-1-XXX
<input type="checkbox"/>	Blue		Maintained	2ASL6LB-1-XXX
<input type="checkbox"/>	Clear		Maintained	2ASL7LB-1-XXX
<input type="checkbox"/>	Yellow		Maintained	2ASL8LB-1-XXX

### 2 Position

<input type="checkbox"/>	White		Spring Return	2ASL1LB-2-XXX
<input type="checkbox"/>	Green		Spring Return	2ASL3LB-2-XXX
<input type="checkbox"/>	Red		Spring Return	2ASL4LB-2-XXX
<input type="checkbox"/>	Amber		Spring Return	2ASL5LB-2-XXX
<input type="checkbox"/>	Blue		Spring Return	2ASL6LB-2-XXX
<input type="checkbox"/>	Clear		Spring Return	2ASL7LB-2-XXX
<input type="checkbox"/>	Yellow		Spring Return	2ASL8LB-2-XXX

### 3 Position

<input type="checkbox"/>	White		Maintained	2ASL1LB-3-XXX
<input type="checkbox"/>	Green		Maintained	2ASL3LB-3-XXX
<input type="checkbox"/>	Red		Maintained	2ASL4LB-3-XXX
<input type="checkbox"/>	Amber		Maintained	2ASL5LB-3-XXX
<input type="checkbox"/>	Blue		Maintained	2ASL6LB-3-XXX
<input type="checkbox"/>	Clear		Maintained	2ASL7LB-3-XXX
<input type="checkbox"/>	Yellow		Maintained	2ASL8LB-3-XXX

### 3 Position, spring return from left and right

<input type="checkbox"/>	White		Spring Return	2ASL1LB-4-XXX
<input type="checkbox"/>	Green		Spring Return	2ASL3LB-4-XXX
<input type="checkbox"/>	Red		Spring Return	2ASL4LB-4-XXX
<input type="checkbox"/>	Amber		Spring Return	2ASL5LB-4-XXX
<input type="checkbox"/>	Blue		Spring Return	2ASL6LB-4-XXX
<input type="checkbox"/>	Clear		Spring Return	2ASL7LB-4-XXX
<input type="checkbox"/>	Yellow		Spring Return	2ASL8LB-4-XXX

### 3 Position, spring return from right

<input type="checkbox"/>	White		Spring Return	2ASL1LB-5-XXX
<input type="checkbox"/>	Green		Spring Return	2ASL3LB-5-XXX
<input type="checkbox"/>	Red		Spring Return	2ASL4LB-5-XXX
<input type="checkbox"/>	Amber		Spring Return	2ASL5LB-5-XXX
<input type="checkbox"/>	Blue		Spring Return	2ASL6LB-5-XXX
<input type="checkbox"/>	Clear		Spring Return	2ASL7LB-5-XXX
<input type="checkbox"/>	Yellow		Spring Return	2ASL8LB-5-XXX




### 3 Position, spring return from left

<input type="checkbox"/>	White		Spring Return	2ASL1LB-6-XXX
<input type="checkbox"/>	Green		Spring Return	2ASL3LB-6-XXX
<input type="checkbox"/>	Red		Spring Return	2ASL4LB-6-XXX
<input type="checkbox"/>	Amber		Spring Return	2ASL5LB-6-XXX
<input type="checkbox"/>	Blue		Spring Return	2ASL6LB-6-XXX
<input type="checkbox"/>	Clear		Spring Return	2ASL7LB-6-XXX
<input type="checkbox"/>	Yellow		Spring Return	2ASL8LB-6-XXX

## Dimensional Drawings

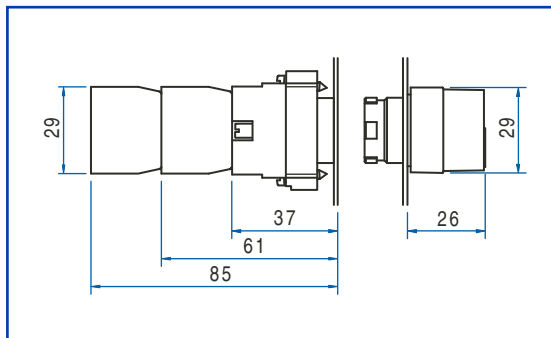
All dimensions shown in millimeters.  
To convert to inches multiply by 0.03937

### 3 POSITION SELECTOR SWITCH CONTACT BLOCK GUIDE

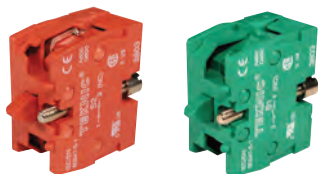
			CONTACTOR BLOCK GUIDE
x	o	o	1 NO (left)
o	x	o	2 NC in series (side x side)
o	o	x	1 NO (right)
x	x	o	1 NC (right)
o	x	x	1 NC (left)
x	o	x	2 NO in parallel (side x side)

(Left or right as seen from front of operator)

Illuminated Selector



## Switch Contacts (sold separately)



- Heavy-duty contact blocks with mounting screws. Blocks can be stacked 2 blocks across by 3 blocks deep for a total of 6 circuits.
- Contact blocks are available with silver contacts or gold plated contacts
- Self-wiping contacts

### Panel Mount

Normally Open Silver	<b>S1</b>
Normally Closed Silver	<b>S2</b>
Normally Open Gold Plated	<b>S3</b>
Normally Closed Gold Plated	<b>S4</b>

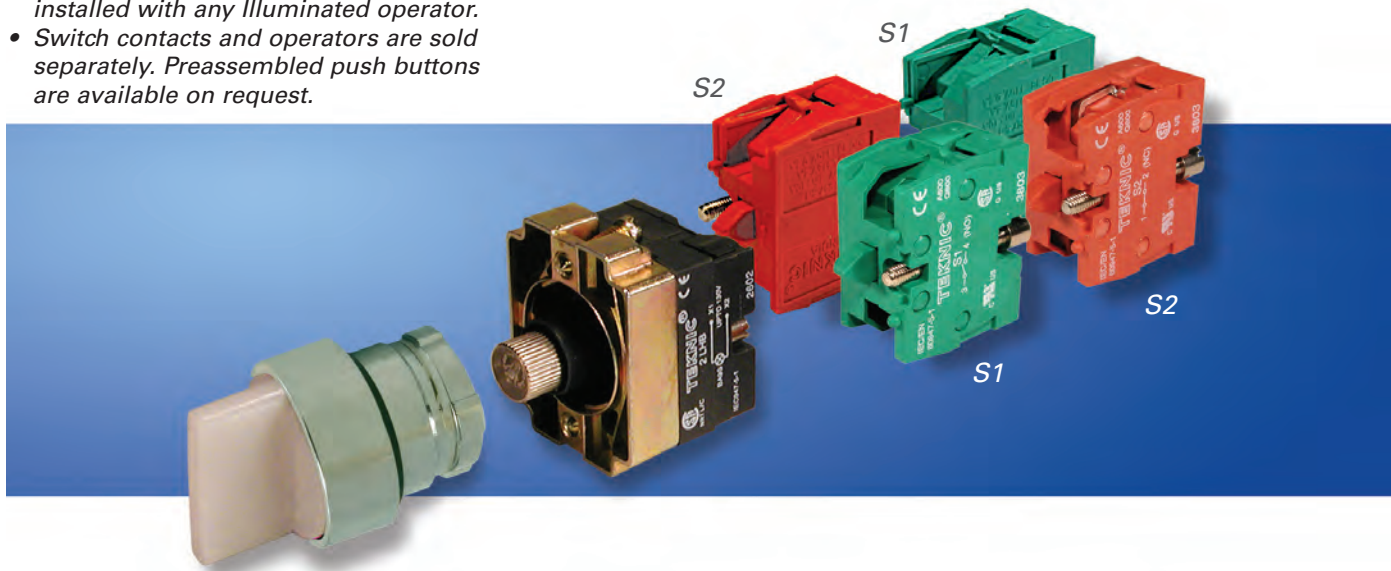
### Base Mount\*

Normally Open Silver	<b>S5</b>
Normally Closed Silver	<b>S6</b>
Normally Open Gold Plated	<b>S7</b>
Normally Closed Gold Plated	<b>S8</b>

\* For use with non-illuminated operators in thermoplastic or aluminum enclosures listed on pages 30 and 36-37.

## Exploded Assembly View

- Up to four switch contacts can be installed with any Illuminated operator.
- Switch contacts and operators are sold separately. Preassembled push buttons are available on request.





# 22mm LED Illuminated Metal Projecting Operators



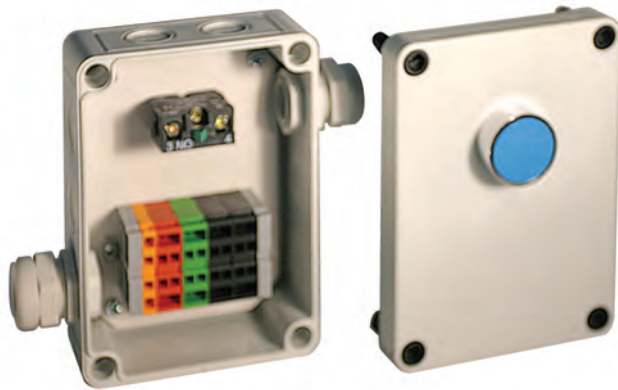
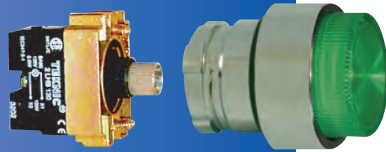
UL US  
E225660



Certified for  
**NEMA Type 4X**  
12 environment.

## Projecting Momentary

with bulb, bulb holder  
and mounting bracket



**SAMPLE  
ASSEMBLY**



Replacement bulbs  
available.  
See page 39.

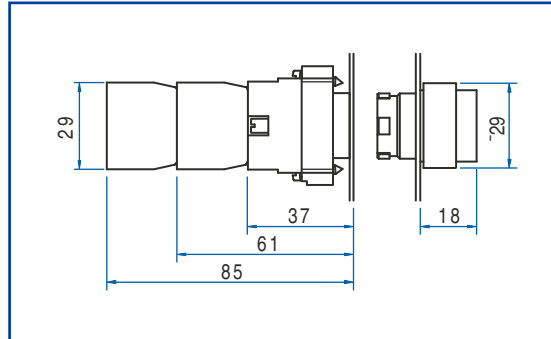
Color	Voltage	Cat No.
<b>12V AC/DC</b>		
<input type="checkbox"/> White	12V AC/DC	2ALP1LB-012
<input checked="" type="checkbox"/> Green	12V AC/DC	2ALP3LB-012
<input checked="" type="checkbox"/> Red	12V AC/DC	2ALP4LB-012
<input checked="" type="checkbox"/> Amber	12V AC/DC	2ALP5LB-012
<input checked="" type="checkbox"/> Blue	12V AC/DC	2ALP6LB-012
<input type="checkbox"/> Clear	12V AC/DC	2ALP7LB-012
<input checked="" type="checkbox"/> Yellow	12V AC/DC	2ALP8LB-012
<b>24V AC/DC</b>		
<input type="checkbox"/> White	24V AC/DC	2ALP1LB-024
<input checked="" type="checkbox"/> Green	24V AC/DC	2ALP3LB-024
<input checked="" type="checkbox"/> Red	24V AC/DC	2ALP4LB-024
<input checked="" type="checkbox"/> Amber	24V AC/DC	2ALP5LB-024
<input checked="" type="checkbox"/> Blue	24V AC/DC	2ALP6LB-024
<input type="checkbox"/> Clear	24V AC/DC	2ALP7LB-024
<input checked="" type="checkbox"/> Yellow	24V AC/DC	2ALP8LB-024
<b>48V AC/DC</b>		
<input type="checkbox"/> White	48V AC/DC	2ALP1LB-048
<input checked="" type="checkbox"/> Green	48V AC/DC	2ALP3LB-048
<input checked="" type="checkbox"/> Red	48V AC/DC	2ALP4LB-048
<input checked="" type="checkbox"/> Amber	48V AC/DC	2ALP5LB-048
<input checked="" type="checkbox"/> Blue	48V AC/DC	2ALP6LB-048
<input type="checkbox"/> Clear	48V AC/DC	2ALP7LB-048
<input checked="" type="checkbox"/> Yellow	48V AC/DC	2ALP8LB-048
<b>110V AC</b>		
<input type="checkbox"/> White	110V AC	2ALP1LB-110
<input checked="" type="checkbox"/> Green	110V AC	2ALP3LB-110
<input checked="" type="checkbox"/> Red	110V AC	2ALP4LB-110
<input checked="" type="checkbox"/> Amber	110V AC	2ALP5LB-110
<input checked="" type="checkbox"/> Blue	110V AC	2ALP6LB-110
<input type="checkbox"/> Clear	110V AC	2ALP7LB-110
<input checked="" type="checkbox"/> Yellow	110V AC	2ALP8LB-110
<b>110V DC</b>		
<input type="checkbox"/> White	110V DC	2ALP1LB-110D
<input checked="" type="checkbox"/> Green	110V DC	2ALP3LB-110D
<input checked="" type="checkbox"/> Red	110V DC	2ALP4LB-110D
<input checked="" type="checkbox"/> Amber	110V DC	2ALP5LB-110D
<input checked="" type="checkbox"/> Blue	110V DC	2ALP6LB-110D
<input type="checkbox"/> Clear	110V DC	2ALP7LB-110D
<input checked="" type="checkbox"/> Yellow	110V DC	2ALP8LB-110D
<b>230V AC</b>		
<input type="checkbox"/> White	230V AC	2ALP1LB-230
<input checked="" type="checkbox"/> Green	230V AC	2ALP3LB-230
<input checked="" type="checkbox"/> Red	230V AC	2ALP4LB-230
<input checked="" type="checkbox"/> Amber	230V AC	2ALP5LB-230
<input checked="" type="checkbox"/> Blue	230V AC	2ALP6LB-230
<input type="checkbox"/> Clear	230V AC	2ALP7LB-230
<input checked="" type="checkbox"/> Yellow	230V AC	2ALP8LB-230
<b>230V DC</b>		
<input type="checkbox"/> White	230V DC	2ALP1LB-230D
<input checked="" type="checkbox"/> Green	230V DC	2ALP3LB-230D
<input checked="" type="checkbox"/> Red	230V DC	2ALP4LB-230D
<input checked="" type="checkbox"/> Amber	230V DC	2ALP5LB-230D
<input checked="" type="checkbox"/> Blue	230V DC	2ALP6LB-230D
<input type="checkbox"/> Clear	230V DC	2ALP7LB-230D
<input checked="" type="checkbox"/> Yellow	230V DC	2ALP8LB-230D

## 22mm LED Illuminated Metal Projecting Operators

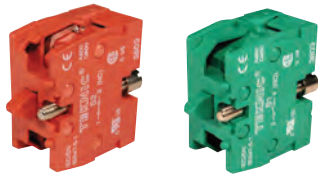
### Dimensional Drawings

All dimensions shown in millimeters.  
To convert to inches multiply by 0.03937

Projecting Momentary



### Switch Contacts (sold separately)



- Heavy-duty contact blocks with mounting screws. Blocks can be stacked 2 blocks across by 3 blocks deep for a total of 6 circuits.
- Contact blocks are available with silver contacts or gold plated contacts
- Self-wiping contacts

### Panel Mount

Normally Open Silver	<b>S1</b>
Normally Closed Silver	<b>S2</b>
Normally Open Gold Plated	<b>S3</b>
Normally Closed Gold Plated	<b>S4</b>

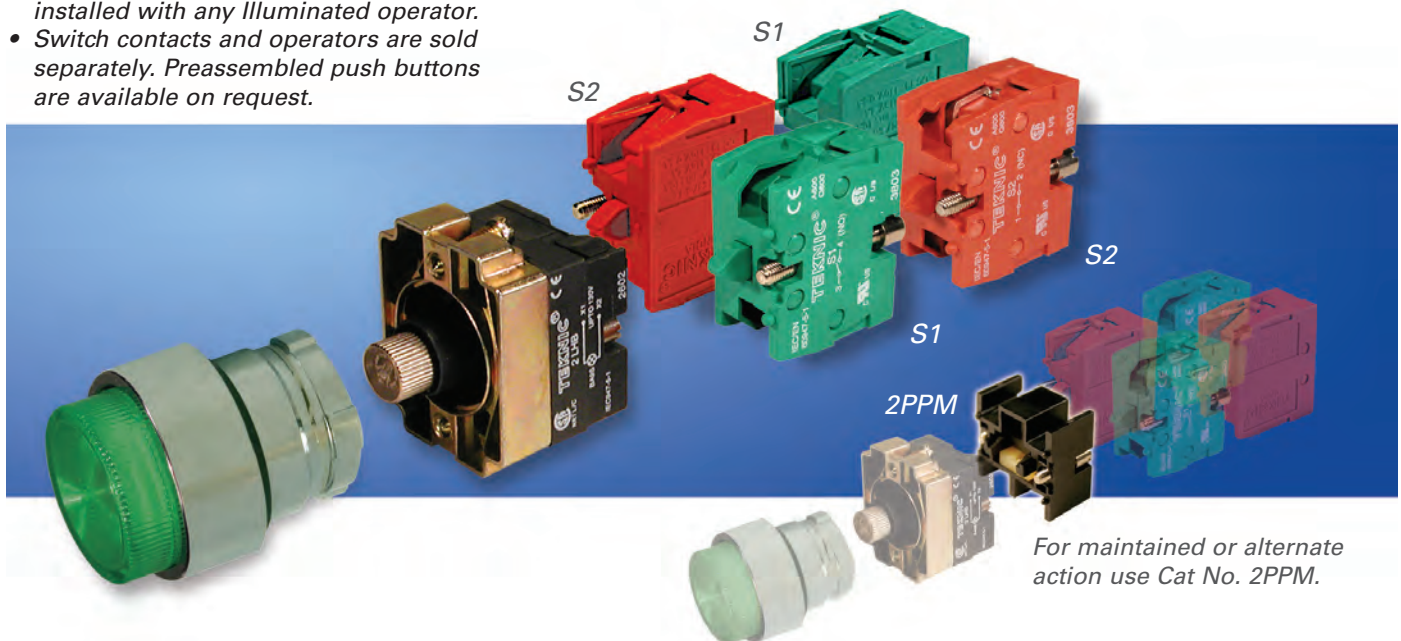
### Base Mount\*

Normally Open Silver	<b>S5</b>
Normally Closed Silver	<b>S6</b>
Normally Open Gold Plated	<b>S7</b>
Normally Closed Gold Plated	<b>S8</b>

\* For use with non-illuminated operators in thermoplastic or aluminum enclosures listed on pages 30 and 36-37.

### Exploded Assembly View

- Up to four switch contacts can be installed with any illuminated operator.
- Switch contacts and operators are sold separately. Preassembled push buttons are available on request.



For maintained or alternate action use Cat No. 2PPM.



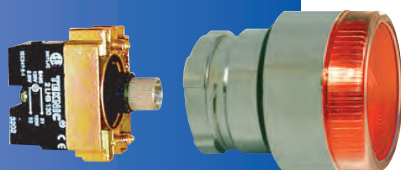
# 22mm LED Illuminated Metal Flush Operators



Certified for  
**NEMA Type 4X**  
12 environment.

## Flush Momentary

with bulb, bulb holder and mounting bracket



**SAMPLE ASSEMBLY**



For installation of a metal operator in the plastic enclosure a Cat No. ADW washer is required.



Replacement bulbs available.  
See page 39.

**Color Voltage Cat No.**

### 12V AC/DC

<input type="checkbox"/>	White	12V AC/DC	2ALF1LB-012
<input checked="" type="checkbox"/>	Green	12V AC/DC	2ALF3LB-012
<input checked="" type="checkbox"/>	Red	12V AC/DC	2ALF4LB-012
<input checked="" type="checkbox"/>	Amber	12V AC/DC	2ALF5LB-012
<input checked="" type="checkbox"/>	Blue	12V AC/DC	2ALF6LB-012
<input type="checkbox"/>	Clear	12V AC/DC	2ALF7LB-012
<input checked="" type="checkbox"/>	Yellow	12V AC/DC	2ALF8LB-012

### 24V AC/DC

<input type="checkbox"/>	White	24V AC/DC	2ALF1LB-024
<input checked="" type="checkbox"/>	Green	24V AC/DC	2ALF3LB-024
<input checked="" type="checkbox"/>	Red	24V AC/DC	2ALF4LB-024
<input checked="" type="checkbox"/>	Amber	24V AC/DC	2ALF5LB-024
<input checked="" type="checkbox"/>	Blue	24V AC/DC	2ALF6LB-024
<input type="checkbox"/>	Clear	24V AC/DC	2ALF7LB-024
<input checked="" type="checkbox"/>	Yellow	24V AC/DC	2ALF8LB-024

### 48V AC/DC

<input type="checkbox"/>	White	48V AC/DC	2ALF1LB-048
<input checked="" type="checkbox"/>	Green	48V AC/DC	2ALF3LB-048
<input checked="" type="checkbox"/>	Red	48V AC/DC	2ALF4LB-048
<input checked="" type="checkbox"/>	Amber	48V AC/DC	2ALF5LB-048
<input checked="" type="checkbox"/>	Blue	48V AC/DC	2ALF6LB-048
<input type="checkbox"/>	Clear	48V AC/DC	2ALF7LB-048
<input checked="" type="checkbox"/>	Yellow	48V AC/DC	2ALF8LB-048

### 110V AC

<input type="checkbox"/>	White	110V AC	2ALF1LB-110
<input checked="" type="checkbox"/>	Green	110V AC	2ALF3LB-110
<input checked="" type="checkbox"/>	Red	110V AC	2ALF4LB-110
<input checked="" type="checkbox"/>	Amber	110V AC	2ALF5LB-110
<input checked="" type="checkbox"/>	Blue	110V AC	2ALF6LB-110
<input type="checkbox"/>	Clear	110V AC	2ALF7LB-110
<input checked="" type="checkbox"/>	Yellow	110V AC	2ALF8LB-110

### 110V DC

<input type="checkbox"/>	White	110V DC	2ALF1LB-110D
<input checked="" type="checkbox"/>	Green	110V DC	2ALF3LB-110D
<input checked="" type="checkbox"/>	Red	110V DC	2ALF4LB-110D
<input checked="" type="checkbox"/>	Amber	110V DC	2ALF5LB-110D
<input checked="" type="checkbox"/>	Blue	110V DC	2ALF6LB-110D
<input type="checkbox"/>	Clear	110V DC	2ALF7LB-110D
<input checked="" type="checkbox"/>	Yellow	110V DC	2ALF8LB-110D

### 230V AC

<input type="checkbox"/>	White	230V AC	2ALF1LB-230
<input checked="" type="checkbox"/>	Green	230V AC	2ALF3LB-230
<input checked="" type="checkbox"/>	Red	230V AC	2ALF4LB-230
<input checked="" type="checkbox"/>	Amber	230V AC	2ALF5LB-230
<input checked="" type="checkbox"/>	Blue	230V AC	2ALF6LB-230
<input type="checkbox"/>	Clear	230V AC	2ALF7LB-230
<input checked="" type="checkbox"/>	Yellow	230V AC	2ALF8LB-230

### 230V DC

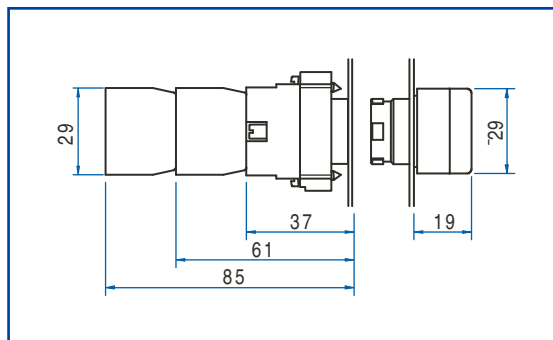
<input type="checkbox"/>	White	230V DC	2ALF1LB-230D
<input checked="" type="checkbox"/>	Green	230V DC	2ALF3LB-230D
<input checked="" type="checkbox"/>	Red	230V DC	2ALF4LB-230D
<input checked="" type="checkbox"/>	Amber	230V DC	2ALF5LB-230D
<input checked="" type="checkbox"/>	Blue	230V DC	2ALF6LB-230D
<input type="checkbox"/>	Clear	230V DC	2ALF7LB-230D
<input checked="" type="checkbox"/>	Yellow	230V DC	2ALF8LB-230D

# 22mm LED Illuminated Metal Flush Operators

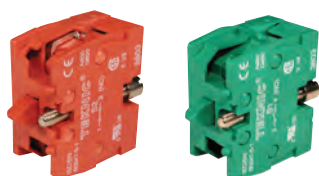
## Dimensional Drawings

All dimensions shown in millimeters.  
To convert to inches multiply by 0.03937

Flush Momentary



### Switch Contacts *(sold separately)*



- Heavy-duty contact blocks with mounting screws. Blocks can be stacked 2 blocks across by 3 blocks deep for a total of 6 circuits.
- Contact blocks are available with silver contacts or gold plated contacts
- Self-wiping contacts

### Panel Mount

Normally Open Silver	<b>S1</b>
Normally Closed Silver	<b>S2</b>
Normally Open Gold Plated	<b>S3</b>
Normally Closed Gold Plated	<b>S4</b>

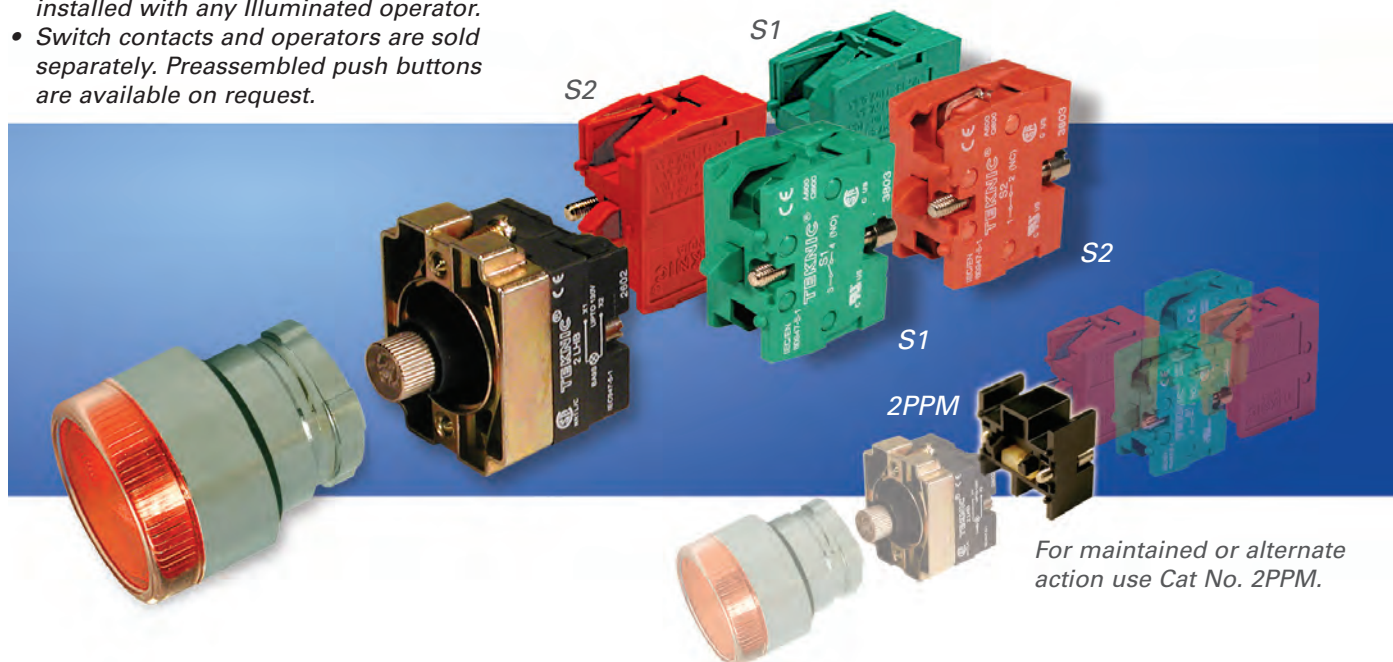
### Base Mount\*

Normally Open Silver	<b>S5</b>
Normally Closed Silver	<b>S6</b>
Normally Open Gold Plated	<b>S7</b>
Normally Closed Gold Plated	<b>S8</b>

\* For use with non-illuminated operators in thermoplastic or aluminum enclosures listed on pages 30 and 36-37.

## Exploded Assembly View

- Up to four switch contacts can be installed with any illuminated operator.
- Switch contacts and operators are sold separately. Preassembled push buttons are available on request.



For maintained or alternate action use Cat No. 2PPM.

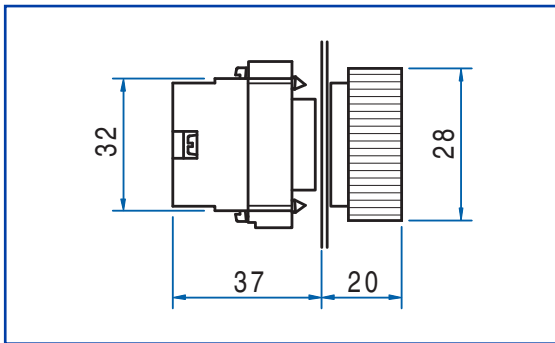
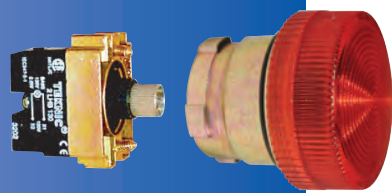
# 22mm LED Metal Pilot Lights



Certified for  
**NEMA Type 4X**  
12 environment.

## Pilot Light

with bulb, bulb holder and mounting bracket



Replacement bulbs available.  
See page 39.

Color	Voltage	Cat No.
-------	---------	---------

12V AC/DC		
White	12V AC/DC	2PLB1LB-012
Green	12V AC/DC	2PLB3LB-012
Red	12V AC/DC	2PLB4LB-012
Amber	12V AC/DC	2PLB5LB-012
Blue	12V AC/DC	2PLB6LB-012
Clear	12V AC/DC	2PLB7LB-012
Yellow	12V AC/DC	2PLB8LB-012

24V AC/DC		
White	24V AC/DC	2PLB1LB-024
Green	24V AC/DC	2PLB3LB-024
Red	24V AC/DC	2PLB4LB-024
Amber	24V AC/DC	2PLB5LB-024
Blue	24V AC/DC	2PLB6LB-024
Clear	24V AC/DC	2PLB7LB-024
Yellow	24V AC/DC	2PLB8LB-024

48V AC/DC		
White	48V AC/DC	2PLB1LB-048
Green	48V AC/DC	2PLB3LB-048
Red	48V AC/DC	2PLB4LB-048
Amber	48V AC/DC	2PLB5LB-048
Blue	48V AC/DC	2PLB6LB-048
Clear	48V AC/DC	2PLB7LB-048
Yellow	48V AC/DC	2PLB8LB-048

110V AC		
White	110V AC	2PLB1LB-110
Green	110V AC	2PLB3LB-110
Red	110V AC	2PLB4LB-110
Amber	110V AC	2PLB5LB-110
Blue	110V AC	2PLB6LB-110
Clear	110V AC	2PLB7LB-110
Yellow	110V AC	2PLB8LB-110

110V DC		
White	110V DC	2PLB1LB-110D
Green	110V DC	2PLB3LB-110D
Red	110V DC	2PLB4LB-110D
Amber	110V DC	2PLB5LB-110D
Blue	110V DC	2PLB6LB-110D
Clear	110V DC	2PLB7LB-110D
Yellow	110V DC	2PLB8LB-110D

230V AC		
White	230V AC	2PLB1LB-230
Green	230V AC	2PLB3LB-230
Red	230V AC	2PLB4LB-230
Amber	230V AC	2PLB5LB-230
Blue	230V AC	2PLB6LB-230
Clear	230V AC	2PLB7LB-230
Yellow	230V AC	2PLB8LB-230

230V DC		
White	230V DC	2PLB1LB-230D
Green	230V DC	2PLB3LB-230D
Red	230V DC	2PLB4LB-230D
Amber	230V DC	2PLB5LB-230D
Blue	230V DC	2PLB6LB-230D
Clear	230V DC	2PLB7LB-230D
Yellow	230V DC	2PLB8LB-230D



## 22mm Specifications

### Electrical and Mechanical Characteristics

Standard conformity:	IEC 60947-5-1
Approvals:	VDE0660 CSA - C22.2 No. 14-95 UL508 IEC 947 - 5 (1) 1990, IS 13947 ASTA UK certified as per IEC 947 - 5 - (1) 1990
Degree of protection:	IP 65 as per IEC 529 NEMA Type 4X, 12 as per UL50
Temperature Range:	- 25°C to + 70°C (-13°F to +158°F)

### Contact Block

Rated voltage:	600V AC /DC
Rated current:	10A AC / 2.5A DC
Contact operation:	self-wiping, slow break NO or NC
UL508 rating (pilot duty):	
CSA - C22.2 No. 14-95:	A600: 10A; 600V AC Q600: 2.5A; 600V DC
Make and break capacity	
IEC 947 - 5 - (1) 1990:	AC 15 4A, 415V AC DC 13 0.5A, 110V DC
Terminal capacity:	minimum 20 AWG (0.5 mm <sup>2</sup> ) maximum 2x16 AWG (2 x 1.5 mm <sup>2</sup> ) or 14 AWG (2.5 mm <sup>2</sup> )
Terminal marking:	1-2 for NC, 3-4 for NO
Short circuit protection:	10A cartridge fuse HRC type, rated for resistive loads
Mechanical life:	1 million operations

### Modules for Pilot Lights & Illuminated Switches with LED Bulbs

Current consumption (applicable to all colors)	
24 VAC/DC, 100 VAC & 240 VAC:	max. 20 mA
110 VDC:	max. 15 mA
220 VDC:	max. 10 mA
Service life (at nominal voltage and at ambient temperature of 25°C):	100,000 hours
Voltage limits (nominal voltage):	<20% of rated voltage>
Short circuit protection:	on specific request
Terminal capacity:	min. 1 x 0.5 mm <sup>2</sup> (20 AWG), max. 2 x 1.5 mm <sup>2</sup> (2x16 AWG) or 1 x 2.5 mm <sup>2</sup> (1x14 AWG)

### Torque Specifications

Mounting bracket screws	1.2 Nm (10.8 lbs. in.)
Contact block to bracket screws	0.5 Nm (4.5 lbs. in.)
Terminal screws (wiring)	0.8 Nm (7.2 lbs. in.)

# Economy Non-Illuminated Plastic Push Buttons



## Momentary



## Maintained



Color	Description & Function	Cat No.
-------	------------------------	---------

### Momentary

White	Flush, 1NO Contact	3PSF110
Black	Flush, 1NO Contact	3PSF210
Green	Flush, 1NO Contact	3PSF310
Red	Flush, 1NO Contact	3PSF410
Blue	Flush, 1NO Contact	3PSF610
Yellow	Flush, 1NO Contact	3PSF810
White	Flush, 1NC Contact	3PSF101
Black	Flush, 1NC Contact	3PSF201
Green	Flush, 1NC Contact	3PSF301
Red	Flush, 1NC Contact	3PSF401
Blue	Flush, 1NC Contact	3PSF601
Yellow	Flush, 1NC Contact	3PSF801
White	Flush, 1NO + 1NC Contact	3PSF111
Black	Flush, 1NO + 1NC Contact	3PSF211
Green	Flush, 1NO + 1NC Contact	3PSF311
Red	Flush, 1NO + 1NC Contact	3PSF411
Blue	Flush, 1NO + 1NC Contact	3PSF611
Yellow	Flush, 1NO + 1NC Contact	3PSF811
White	Flush, 2NO Contact	3PSF120
Black	Flush, 2NO Contact	3PSF220
Green	Flush, 2NO Contact	3PSF320
Red	Flush, 2NO Contact	3PSF420
Blue	Flush, 2NO Contact	3PSF620
Yellow	Flush, 2NO Contact	3PSF820
White	Flush, 2NC Contact	3PSF102
Black	Flush, 2NC Contact	3PSF202
Green	Flush, 2NC Contact	3PSF302
Red	Flush, 2NC Contact	3PSF402
Blue	Flush, 2NC Contact	3PSF602
Yellow	Flush, 2NC Contact	3PSF802

### Maintained

White	Flush, 1NO Push-Push	3PSFPP110
Black	Flush, 1NO Push-Push	3PSFPP210
Green	Flush, 1NO Push-Push	3PSFPP310
Red	Flush, 1NO Push-Push	3PSFPP410
Blue	Flush, 1NO Push-Push	3PSFPP610
Yellow	Flush, 1NO Push-Push	3PSFPP810
White	Flush, 1NC Push-Push	3PSFPP101
Black	Flush, 1NC Push-Push	3PSFPP201
Green	Flush, 1NC Push-Push	3PSFPP301
Red	Flush, 1NC Push-Push	3PSFPP401
Blue	Flush, 1NC Push-Push	3PSFPP601
Yellow	Flush, 1NC Push-Push	3PSFPP801
White	Flush, 1NO + 1NC Push-Push	3PSFPP111
Black	Flush, 1NO + 1NC Push-Push	3PSFPP211
Green	Flush, 1NO + 1NC Push-Push	3PSFPP311
Red	Flush, 1NO + 1NC Push-Push	3PSFPP411
Blue	Flush, 1NO + 1NC Push-Push	3PSFPP611
Yellow	Flush, 1NO + 1NC Push-Push	3PSFPP811
White	Flush, 2NO Push-Push	3PSPP120
Black	Flush, 2NO Push-Push	3PSPP220
Green	Flush, 2NO Push-Push	3PSPP320
Red	Flush, 2NO Push-Push	3PSPP420
Blue	Flush, 2NO Push-Push	3PSPP620
Yellow	Flush, 2NO Push-Push	3PSPP820
White	Flush, 2NC Push-Push	3PSPP102
Black	Flush, 2NC Push-Push	3PSPP202
Green	Flush, 2NC Push-Push	3PSPP302
Red	Flush, 2NC Push-Push	3PSPP402
Blue	Flush, 2NC Push-Push	3PSPP602
Yellow	Flush, 2NC Push-Push	3PSPP802

# Economy Non-Illuminated Plastic Push Buttons Specifications

## A. Mechanical Characteristics

Contact Operation	NO/NC Slow Break
Operating Travel	Changing NC status = 2mm Changing NO status = 2mm Total travel = 3.5mm
Operating Force for 3PSF Series	Changing NC status = 4.22mm Changing NO status = 5.60mm Travel required to change NC status = 0.65mm Travel required to change NO status = 1.65 to 1.98mm Total travel = 3.8mm
Contact Configurations	1NO; 1NO + 1NC; 2NC
Terminal Torque	0.5Nm / 4.5lbs. in.

## B. Mechanical Durability

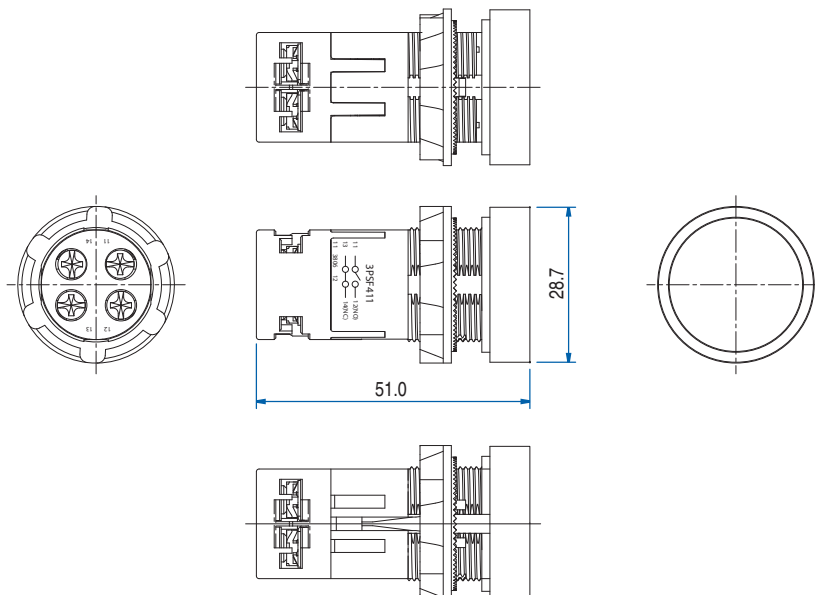
Push Button, Spring Return	1 Million Operations
Push-Push Type	100,000 Operations
Applicable Standard	UL508; IS13947-5-1; CSA 22.2
Degree of Protection	IP65 (as per IS 13947)
Temperature Range	-25° to +85°C (-13°F to 180°F)

## C. Electrical Characteristics

Rating	<p><i>For AC:</i> C300= 120V, make current 15A &amp; break current 1.5A (thermal current=2.5A)</p> <p><i>For DC:</i> R300= 125V, make or break current 0.22A (thermal current=1.0A)</p>
Terminal Capacity for wiring	2 X 1.5mm <sup>2</sup> ; 1 X 0.5mm <sup>2</sup> (min); 1 X 2.5mm <sup>2</sup> (max)
Contact Material	<ul style="list-style-type: none"> <li>• Moving contact = Phosphor Bronze</li> <li>• Fixed Contact = Brass silver plated 2 microns</li> </ul>
Short Circuit Protection	4A fuse
Dielectric Test	2.5KV
Rated insulation Resistance	500M ohm
Rated Thermal Current	2.5A

## Dimensional Drawings

All dimensions shown in millimeters.  
To convert to inches multiply by 0.03937

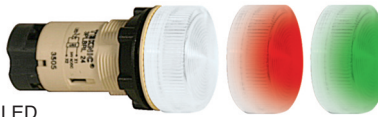




# Unibody LED Indicator Plastic Pilot Lights



## Pilot Lights with integral LED



Multi color LED pilot light  
Clear Lens / Red / Green LED



Color	Description	Cat No.
	White Lens/Yellow LED 12V AC/DC	3PLBR1L-012
	White Lens/Yellow LED 24V AC/DC	3PLBR1L-024
	White Lens/Yellow LED 48V AC/DC	3PLBR1L-048
	White Lens/Yellow LED 110V AC*	3PLBR1L-110
	White Lens/Yellow LED 230V AC*	3PLBR1L-230
	White Lens/White LED 12V AC/DC	3PLBR1LS-012
	White Lens/White LED 24V AC/DC	3PLBR1LS-024
	White Lens/White LED 48V AC/DC	3PLBR1LS-048
	White Lens/White LED 110V AC*	3PLBR1LS-110
	White Lens/White LED 230V AC*	3PLBR1LS-230
	Green Lens/Green LED 12V AC/DC	3PLBR3L-012
	Green Lens/Green LED 24V AC/DC	3PLBR3L-024
	Green Lens/Green LED 48V AC/DC	3PLBR3L-048
	Green Lens/Green LED 110V AC*	3PLBR3L-110
	Green Lens/Green LED 230V AC*	3PLBR3L-230
	Green Lens/Green LED 24-230V AC/DC	3PLBR3LU
	Red Lens/Red LED 12V AC/DC	3PLBR4L-012
	Red Lens/Red LED 24V AC/DC	3PLBR4L-024
	Red Lens/Red LED 48V AC/DC	3PLBR4L-048
	Red Lens/Red LED 110V AC*	3PLBR4L-110
	Red Lens/Red LED 230V AC*	3PLBR4L-230
	Red Lens/Red LED 24-230V AC/DC	3PLBR4LU
	Clear Lens /Red/Green LED 12V AC/DC	3PLBR34L-012
	Clear Lens /Red/Green LED 24V AC/DC	3PLBR34L-024
	Clear Lens /Red/Green LED 48V AC/DC	3PLBR34L-048
	Clear Lens /Red/Green LED 110V AC*	3PLBR34L-110
	Clear Lens /Red/Green LED 230V AC*	3PLBR34L-230
	Amber Lens/Amber LED 12V AC/DC	3PLBR5L-012
	Amber Lens/Amber LED 24V AC/DC	3PLBR5L-024
	Amber Lens/Amber LED 48V AC/DC	3PLBR5L-048
	Amber Lens/Amber LED 110V AC*	3PLBR5L-110
	Amber Lens/Amber LED 230V AC*	3PLBR5L-230
	Blue Lens/Blue LED 12V AC/DC	3PLBR6L-012
	Blue Lens/Blue LED 24V AC/DC	3PLBR6L-024
	Blue Lens/Blue LED 48V AC/DC	3PLBR6L-048
	Blue Lens/Blue LED 110V AC*	3PLBR6L-110
	Blue Lens/Blue LED 230V AC*	3PLBR6L-230
	Clear Lens/Yellow LED 12V AC/DC	3PLBR7L-012
	Clear Lens/Yellow LED 24V AC/DC	3PLBR7L-024
	Clear Lens/Yellow LED 48V AC/DC	3PLBR7L-048
	Clear Lens/Yellow LED 110V AC*	3PLBR7L-110
	Clear Lens/Yellow LED 230V AC*	3PLBR7L-230
	Clear Lens/White LED 12V AC/DC	3PLBR7LS-012
	Clear Lens/White LED 24V AC/DC	3PLBR7LS-024
	Clear Lens/White LED 48V AC/DC	3PLBR7LS-048
	Clear Lens/White LED 110V AC*	3PLBR7LS-110
	Clear Lens/White LED 230V AC*	3PLBR7LS-230
	Yellow Lens/Yellow LED 12V AC/DC	3PLBR8L-012
	Yellow Lens/Yellow LED 24V AC/DC	3PLBR8L-024
	Yellow Lens/Yellow LED 48V AC/DC	3PLBR8L-048
	Yellow Lens/Yellow LED 110V AC*	3PLBR8L-110
	Yellow Lens/Yellow LED 230V AC*	3PLBR8L-230

\*110V DC and 230V DC version is available on request.

# Unibody LED Indicator Plastic Pilot Lights Specifications

## A. Mechanical Characteristics

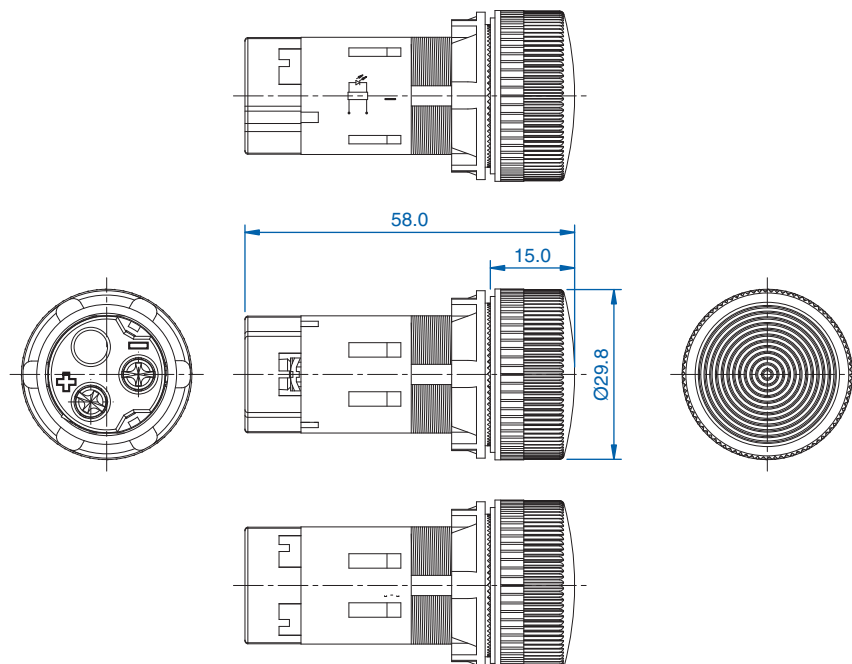
Applicable Standard	UL508 IEC 60947 CSA 22.2
Degree of Protection	IP65 as per IEC 60947,
Temperature Range	-25° to +70°C (-13 to +158°F)
Contact material	Phosphor bronze for LED, PCB contact brass (tin plated)
Corrosion protection	All metallic parts are electroplated for corrosion protection
Terminal Torque	0.5 Nm (4.5 lbs. / in.)
Viewing Angle	More than 100°
Optical Axial intensity	More than 100 mcd for all colors

## B. Electrical Characteristics

Rating	Rated 6V AC/DC to 240V AC and 220V DC, 2W max. (Integral LEDs)
Terminal Capacity	Screw connection 2 X 1.5mm <sup>2</sup> 1 X 0.5mm <sup>2</sup> (min) 1 X 2.5mm <sup>2</sup> (max)
Dielectric Test	2.5KV
Rated insulation Resistance	500M ohm at 1000VDC
Polarity protection	Polarity protection is only in case of DC supply lamps
Low voltage protection	20V for 110V AC & 110V DC 40V for 240V AC & 220V DC (i.e. approx. 20% of Rated Voltage)
Current Consumption	Max. 20mA for AC circuits Max. 15mA for DC circuits

## Dimensional Drawings

All dimensions shown in millimeters.  
To convert to inches multiply by 0.03937



# 22mm Thermoplastic Enclosures

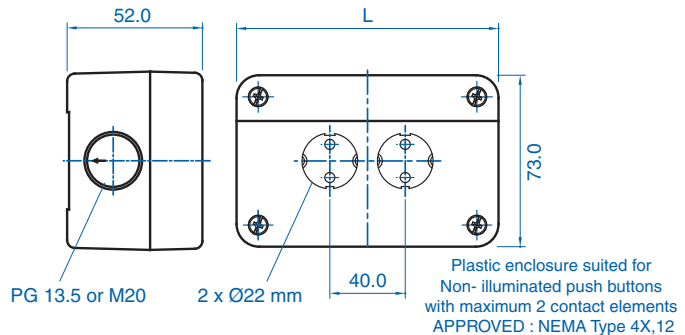
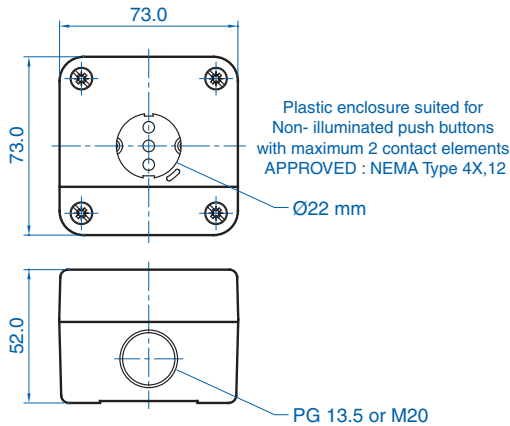


Certified for  
**NEMA Type 4X**  
12 environment.



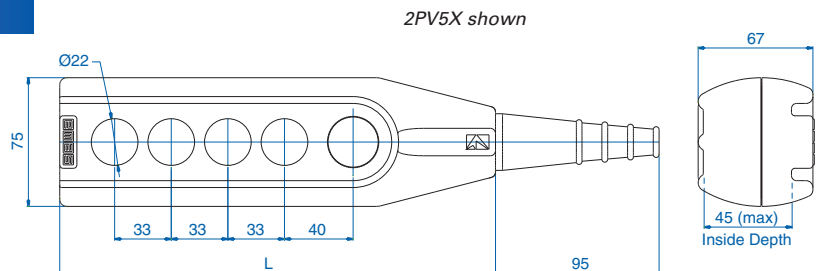
## Base Mount Enclosures

Cat. No.	Operator Capacity	Material	Long Description	Dimensions L x W x H	Cable Entry Knockouts	Mounting Hole Size
4003A11	1	Thermo Plastic	White Top/Black Bottom	73 X 73 X 52	2 x M20	(4) - 4.4x6.4
4003C11	2	Thermo Plastic	White Top/Black Bottom	113 X 73 X 52	2 x M20	(4) - 4.4x6.4
4003E11	3	Thermo Plastic	White Top/Black Bottom	153 X 73X 52	2 x M20	(4) - 4.4x6.4
4003G11	4	Thermo Plastic	White Top/Black Bottom	193 X 73 X 52	2 x M20	(4) - 4.4x6.4
4003S11	5	Thermo Plastic	White Top/Black Bottom	233 X 73 X 52	2 x M20	(4) - 4.4x6.4
4003I11	6	Thermo Plastic	White Top/Black Bottom	273 X 73 X 52	2 x M20	(4) - 4.4x6.4
4004A10	1	Thermo Plastic	Yellow Top/Black Bottom	73 X 73 X 52	2 x M20	(4) - 4.4x6.4
4004C10	2	Thermo Plastic	Yellow Top/Black Bottom	113 X 73 X 52	2 x M20	(4) - 4.4x6.4
4004E10	3	Thermo Plastic	Yellow Top/Black Bottom	153 X 73X 52	2 x M20	(4) - 4.4x6.4
4004G10	4	Thermo Plastic	Yellow Top/Black Bottom	193 X 73 X 52	2 x M20	(4) - 4.4x6.4
4004S10	5	Thermo Plastic	Yellow Top/Black Bottom	233 X 73 X 52	2 x M20	(4) - 4.4x6.4
4004I10	6	Thermo Plastic	Yellow Top/Black Bottom	273 X 73 X 52	2 x M20	(4) - 4.4x6.4



Ambient Temperature: -25°C to 70°C (-13°F to 158°F)

## Control Boxes



Cat. No.	Operator Capacity	Dimensions* LxWxH mm
2PV2X	2	188x75x67
2PV3X	3	188x75x67
2PV4X	4	221x75x67
2PV5X	5	254x75x67
2PV6X	6	287x75x67
2PV7X	7	320x75x67
2PV8X	8	353x75x67
2PV9X	9	386x75x67

Contact Elements and Seal

Cat. No.	Description
S1	Normally open
S2	Normally closed
3PRG1*	Rubber gasket*

\* To achieve IP65 rating for control boxes, this rubber gasket must be used.



## 22mm Thermoplastic Enclosure & Control Box Accessories



Certified for  
**NEMA Type 4X**  
12 environment.

### Flush Momentary

with mounting bracket



### Mushroom

Momentary/Maintained  
with mounting bracket



### Projecting

with mounting bracket



### Selector Switch

with mounting bracket



Color	Function	Marking	Cat No.
White	Momentary	None	P2AF1
White	Momentary	Black arrow, up/down	P2AF1WA0
White	Momentary	Black arrow, left/right	P2AF1WA90
Black	Momentary	None	P2AF2
Black	Momentary	White arrow, up/down	P2AF2WA0
Black	Momentary	White arrow, left/right	P2AF2WA90
Green	Momentary	None	P2AF3
Red	Momentary	None	P2AF4
Blue	Momentary	None	P2AF6
Yellow	Momentary	None	P2AF8

Red	40mm Momentary	None	P2AM4
Red	40mm Push-Turn	⊙	P2AML4
Red	30mm Push-Turn	⊙	P2AMLS4
Red	40mm Push-Pull	⊙	P2AMPP4

Black	Projecting	None	P2AP2
Green	Projecting	None	P2AP3
Red	Projecting	None	P2AP4
Blue	Projecting	None	P2AP6
Yellow	Projecting	None	P2AP8

Black	Maintained / 2 position	None	P2AS2-1*
Black	Maintained / 3 position	None	P2AS2-3*
Black	Momentary / 3 position	None	P2AS2-4*

\* Only for 22mm Thermoplastic Enclosures.



**Mounting Bracket  
for plastic operators**  
Cat. No. P2BRK



**Rotational Washer  
for push-turn E-stop plastic operator**  
Cat. No. 2RLW



**Mounting Nut  
for plastic operators**  
Cat. No. P2MN



**Large Rubber Gasket**  
Cat. No. 3PRG1

*Note: Used for Push Buttons that begin in a 3P part number. Also used for control boxes with any type of operator in place of small rubber gasket (2PRG1) to achieve a IP65 rating.*



**Small Rubber Gasket**  
Cat. No. 2PRG1

*Note: Used for Push Buttons that begin in a 2P or P2 part number as a standard gasket.*



**Transparent Silicone Rubber Boot  
for Flush Actuators**

Color: Clear  
Cat. No. 2BT7 (for non-illuminated)  
2ALBT7 (for illuminated)

### Switch Contacts



#### Panel Mount

Normally Open Silver **S1**  
Normally Closed Silver **S2**  
Normally Open Gold plated **S3**  
Normally Closed Gold plated **S4**

#### Base Mount

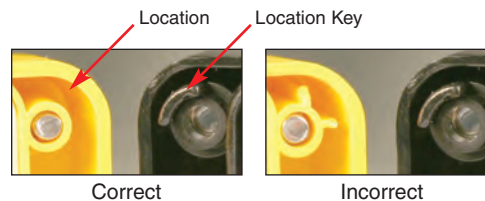
Normally Open Silver **S5**  
Normally Closed Silver **S6**  
Normally Open Gold plated **S7**  
Normally Closed Gold plated **S8**

# 22mm Thermoplastic Enclosure Installation Instructions

## Installation

The enclosure may be installed vertically or horizontally.

1. Unscrew the top half of the enclosure. Some enclosures are supplied with detached cover.
2. Place the bottom half to the desired mounting location using two M4 or 8/32" screws.
3. When wiring is complete, install the top half of the enclosure making sure the location key is in it's proper location (see below).



## Intended Use

The unit is a two part non-metallic enclosure with a gasket. Metal and/or Plastic series non-illuminated push buttons & pilot lights can be installed in these enclosures. For illuminated push buttons consider the plastic enclosures on pages 34-35 or GDC (gravity die cast) aluminum enclosures on page 37.

Features:

1. Protection type IP65 in accordance with IEC 60947.
2. Protection type 4X, 12 in accordance with UL50.

## Preparing for Operation

1. To insert cable, knockout one of the pre-stamped opening.  
For IP65 protection you must use a M20 or PG13 liquid tight strain relief.
2. Install the push button or pilot light in the actuator mounting hole.

## Safety Regulations

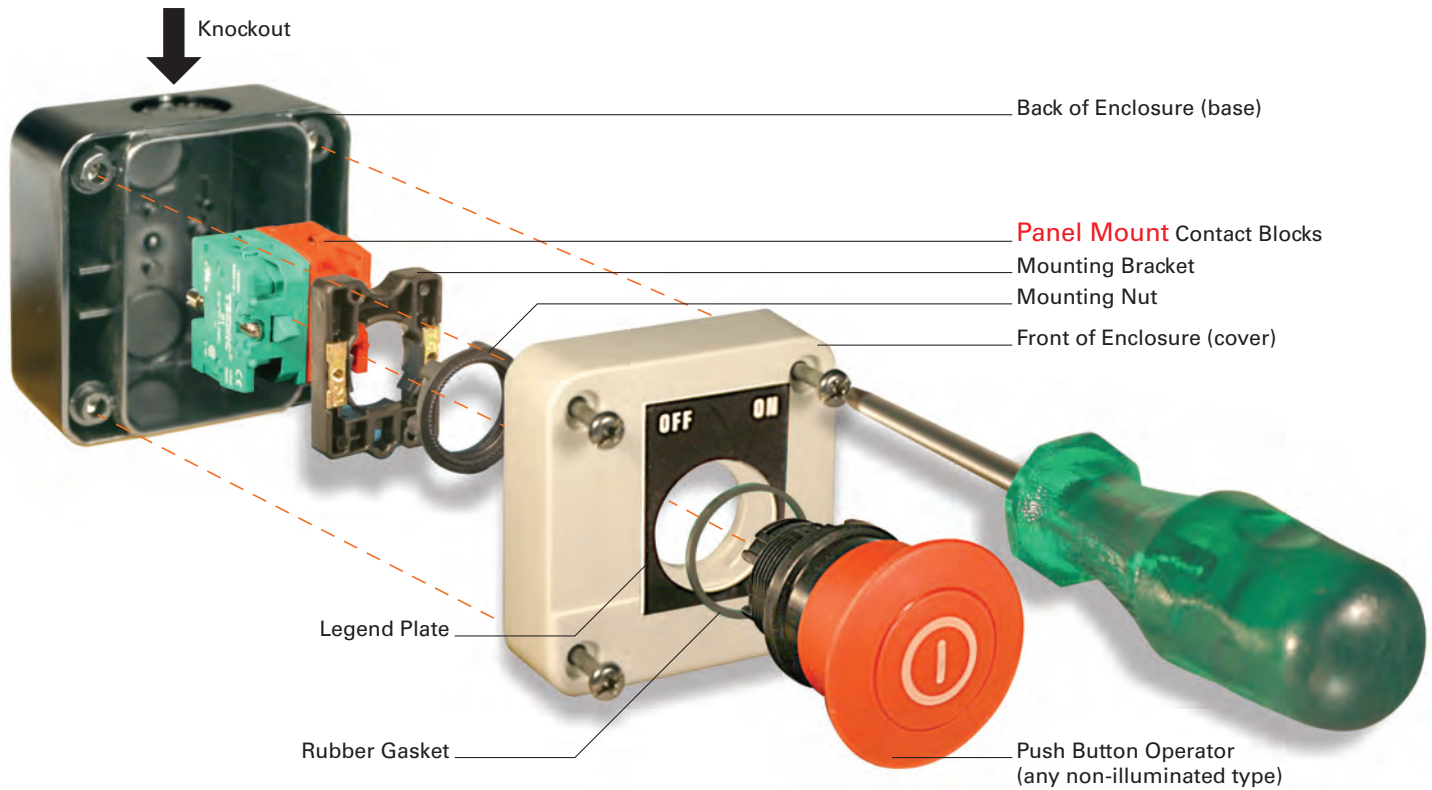
The unit may only be assembled and installed by individuals who are familiar with the installation instructions and the current regulations for health and safety at work and accident prevention. Ensure local regulations compliances are met.

## CAUTION

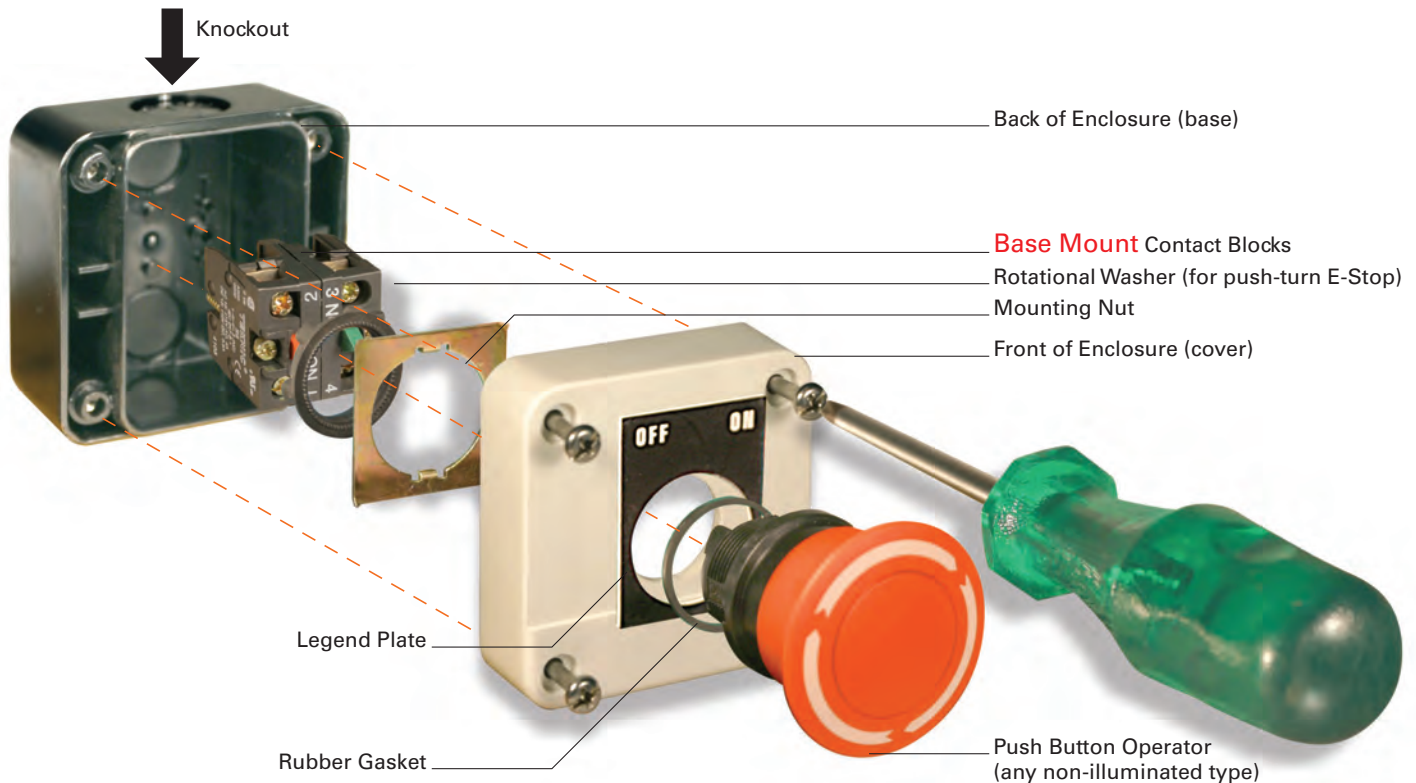
1. Non-metallic enclosures do not provide grounding connections.  
Use grounding jumper wires.
2. The conduit hubs are to be connected to the conduit before being connected to the enclosure.
3. To maintain the environmental rating of this enclosure, install only UL listed or UL recognized conduit hubs or control devices with the same environmental ratings as the enclosure, in compliance with the installation instructions of the device.

## 22mm Thermoplastic Enclosures Assembly Instructions

### Panel Mount Contact Block Installation



### Base Mount Contact Block Installation





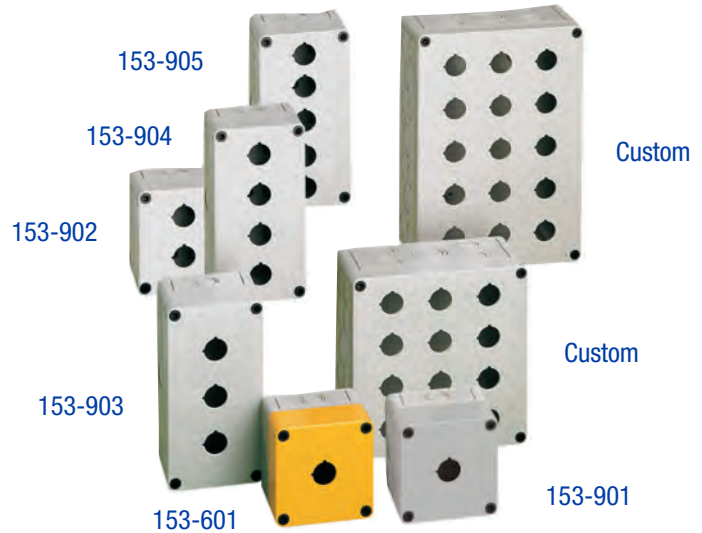
# 22mm Polycarbonate Enclosures

## Polycarbonate Enclosures

### Standard Features

- Protection Level: IP66\* (Nema 4x)
- Technical: M16/20 Knockout Sidewalls  
22.5 mm Diameter Push Button Holes
- Enclosure Material: Polycarbonate
- Temperature Range: -35°C to 120°C (-31°F to 248°F)
- Gasket Material: Polyurethane
- Color: Light Gray
- Accessories: See section below

\*IP66 when suitable installation devices are used.

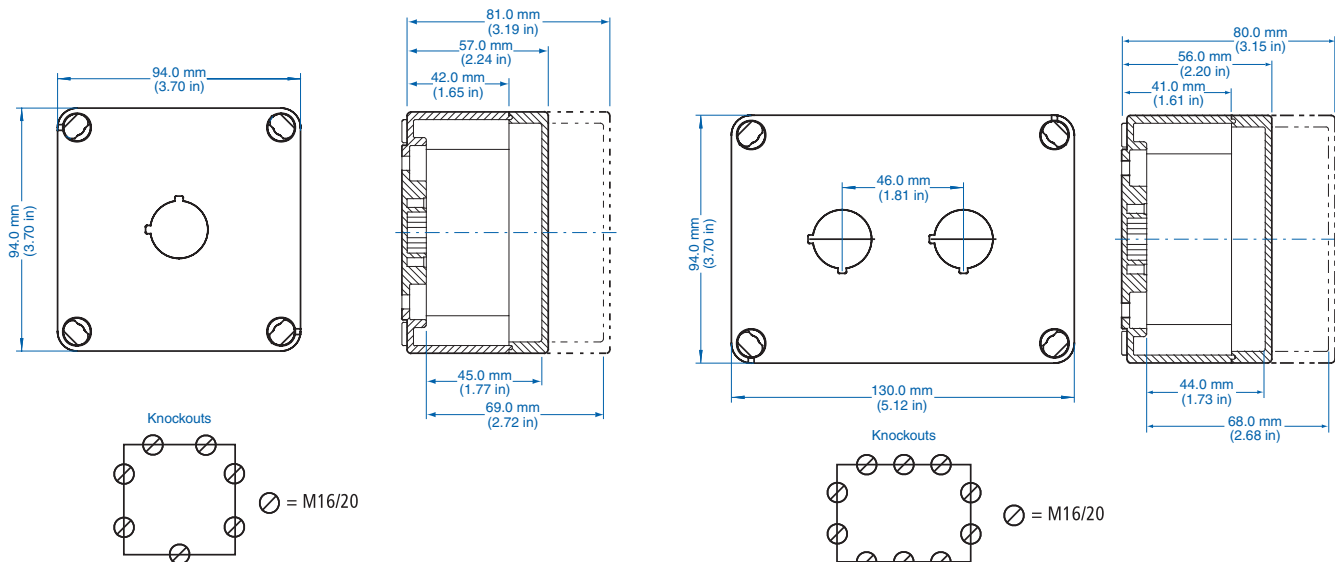


### Ordering Information

### Dimensions mm (in)

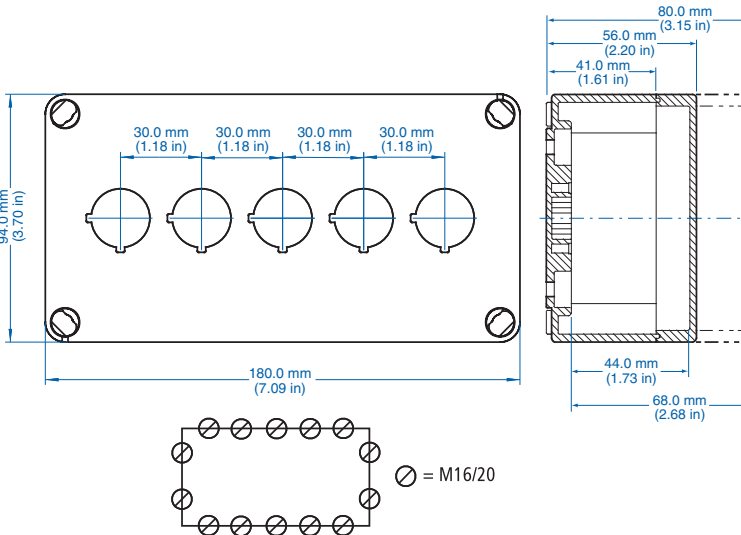
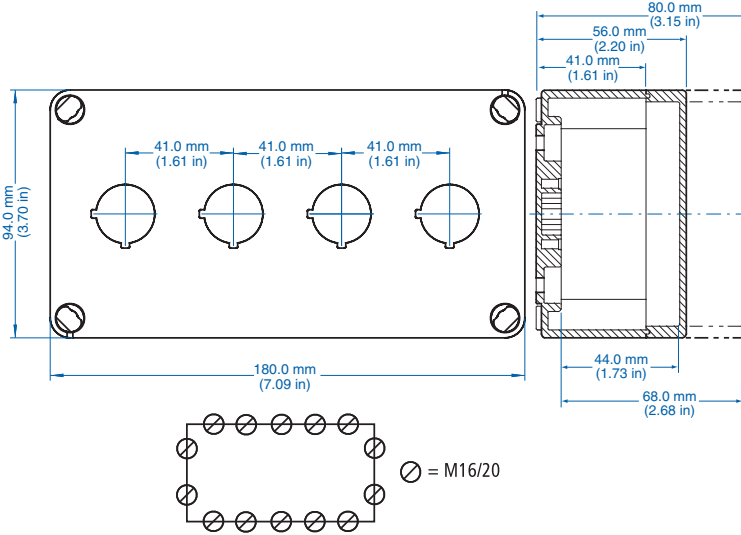
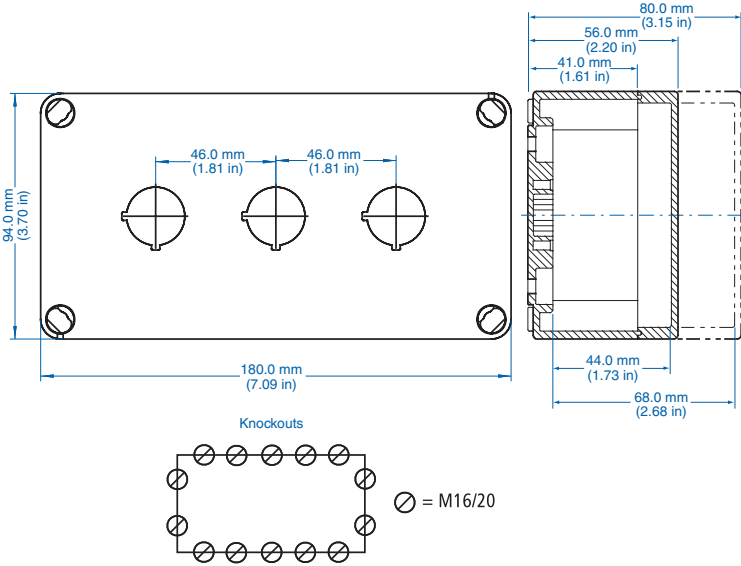
### Std. Pk.

	Cat. No.	Length	Width	Height	
One hole enclosure	153-901	94 mm (3.70 in)	94 mm (3.70 in)	81 mm (3.19 in)	1
One hole enclosure (Yellow cover)	153-601	94 mm (3.70 in)	94 mm (3.70 in)	81 mm (3.19 in)	1
Two hole enclosure	153-902	130 mm (5.12 in)	94 mm (3.70 in)	81 mm (3.19 in)	1
Three hole enclosure	153-903	180 mm (7.09 in)	94 mm (3.70 in)	81 mm (3.19 in)	1
Four hole enclosure	153-904	180 mm (7.09 in)	94 mm (3.70 in)	81 mm (3.19 in)	1
Five hole enclosure	153-905	180 mm (7.09 in)	94 mm (3.70 in)	81 mm (3.19 in)	1
One hole enclosure	153-901/L	94 mm (3.70 in)	94 mm (3.70 in)	57 mm (2.24 in)	1
One hole enclosure (Yellow cover)	153-601/L	94 mm (3.70 in)	94 mm (3.70 in)	57 mm (2.24 in)	1
Two hole enclosure	153-902/L	130 mm (5.12 in)	94 mm (3.70 in)	57 mm (2.24 in)	1
Three hole enclosure	153-903/L	180 mm (7.09 in)	94 mm (3.70 in)	57 mm (2.24 in)	1
Four hole enclosure	153-904/L	180 mm (7.09 in)	94 mm (3.70 in)	57 mm (2.24 in)	1
Five hole enclosure	153-905/L	180 mm (7.09 in)	94 mm (3.70 in)	57 mm (2.24 in)	1
One hole enclosure (extra space)	153-902/1H	130 mm (5.12 in)	94 mm (3.70 in)	57 mm (2.24 in)	1
5308 959	M20 Cord Grip, 5-12mm Cable Dia., Lt Gray				1
7211 981	M20 Locknut, Lt. Gray, PA				1
5308 949	M20 Cord Grip, 5-12mm Cable Dia., Black				1
7211 976	M20 Locknut, Black, PA				1



All dimensions shown in millimeters.  
To convert to inches multiply by 0.03937

# 22mm Polycarbonate Enclosures



All dimensions shown in millimeters.  
To convert to inches multiply by 0.03937

# Aluminum Enclosures for 22mm Operators



Certified for  
**NEMA Type 4X**  
12 environment.



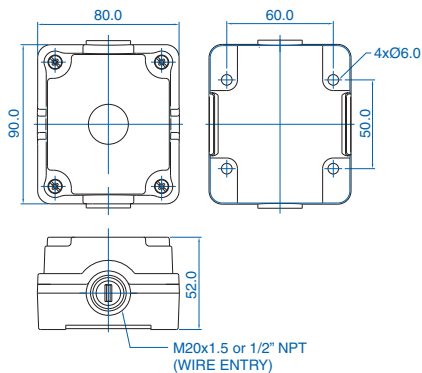
## Aluminum (52mm Height) Pressure Die Cast

For base mount contact blocks and non-illuminated operators. 2 contact blocks maximum per operator.

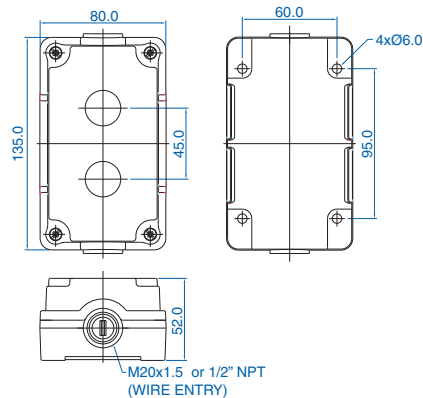
Operator Capacity	Cat. No. Black base/ Grey Cover*	Color Black base/ Yellow Cover	Material Construction	Dimensions LxWxH mm (in.)	Cable Entry Thread Size	Mounting Hole Dia.
1	2005A13	2048A10	PDC Aluminum	80x90x52 (3.15x3.54x2.05)	2xM20	4 x 6mm
2	2006C13	2050C10	PDC Aluminum	80x135x52 (3.15x5.32x2.05)	2xM20	4 x 6mm
3	2007E13	2032E10	PDC Aluminum	80x180x52 (3.15x7.09x2.05)	2xM20	4 x 6mm
4	2010G13	2020G10	PDC Aluminum	80x225x52 (3.15x8.86x2.05)	2xM20	4 x 6mm
1	2015A13	2049A10	PDC Aluminum	80 x 90x52 (3.15x3.54x2.05)	2x1/2"-14 NPT	4 x 6mm
2	2014C13	2051C10	PDC Aluminum	80x135x52 (3.15x5.32x2.05)	2x1/2"-14 NPT	4 x 6mm
3	2012E13	2033E10	PDC Aluminum	80x180x52 (3.15x7.09x2.05)	2x1/2"-14 NPT	4 x 6mm
4	2008G13	2019G10	PDC Aluminum	80x225x52 (3.15x8.86x2.05)	2x1/2"-14 NPT	4 x 6mm

\*Color code RAL 7032, Pebble Gray. Other colors available upon request.

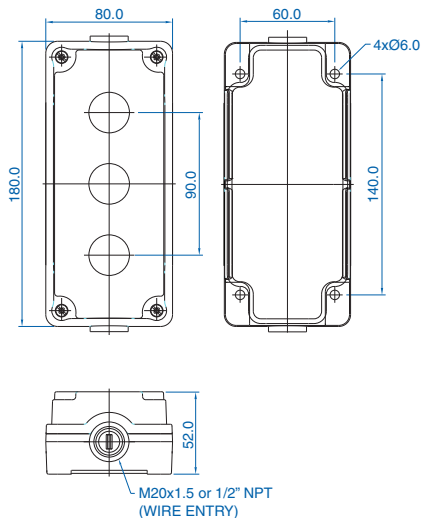
### 1 - Operator Capacity



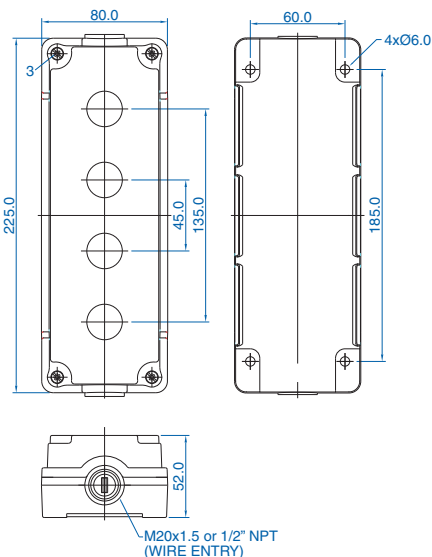
### 2 - Operator Capacity



### 3 - Operator Capacity



### 4 - Operator Capacity



All dimensions shown in millimeters. To convert to inches multiply by 0.03937



# Aluminum Enclosures for 22mm Operators



Certified for  
**NEMA Type 4X**  
12 environment.



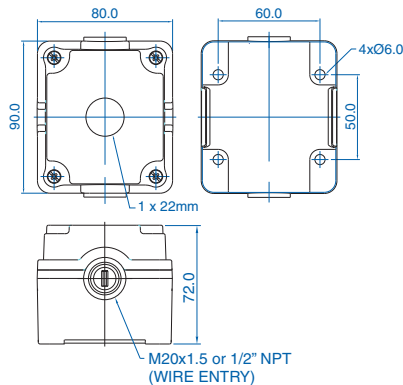
## Aluminum (72mm Height) Pressure Die Cast

For panel mount contact blocks and illuminated operators. 2 contact blocks can be used with an illuminated operator. 4 contact blocks can be used with any non-illuminated operator.

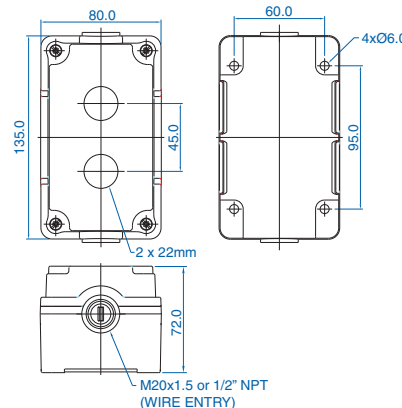
Operator Capacity	Cat. No. Black base/ Grey cover*	Color Black base/ Grey cover*	Material Construction	Dimensions LxWxH mm (in.)	Cable Entry Thread Size	Mounting Hole Dia.
1	7009A13	7021A10	PDC Aluminum, EH	80x90x72 (3.15x3.54x2.83)	2xM20	4 X 6mm
2	7006C13	7015C10	PDC Aluminum, EH	80x135x72 (3.15x5.32x2.83)	2xM20	4 X 6mm
3	7004E13	7016E10	PDC Aluminum, EH	80x180x72 (3.15x7.09x2.83)	2xM20	4 X 6mm
4	7004G13	7008G10	PDC Aluminum, EH	80x225x72 (3.15x8.86x2.83)	2xM20	4 X 6mm
1	7010A13	7022A10	PDC Aluminum, EH	80x90x72 (3.15x3.54x2.83)	2x1/2"-14 NPT	4 X 6mm
2	7007C13	7016C10	PDC Aluminum, EH	80x135x72 (3.15x5.32x2.83)	2x1/2"-14 NPT	4 X 6mm
3	7005E13	7017E10	PDC Aluminum, EH	80x180x72 (3.15x7.09x2.83)	2x1/2"-14 NPT	4 X 6mm
4	7005G13	7009G10	PDC Aluminum, EH	80x225x72 (3.15x8.86x2.83)	2x1/2"-14 NPT	4 X 6mm

\*Color code RAL 7032, Pebble Gray. Other colors available upon request.

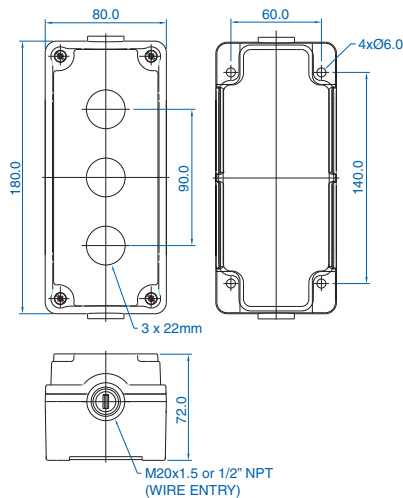
### 1 - Operator Capacity



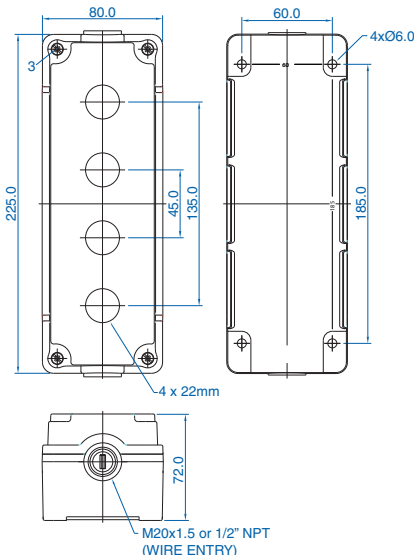
### 2 - Operator Capacity



### 3 - Operator Capacity

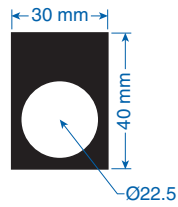


### 4 - Operator Capacity

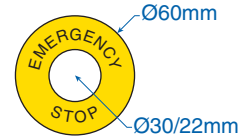


All dimensions shown in millimeters. To convert to inches multiply by 0.03937

# 22mm Push Button Accessories



**EMERGENCY STOP**  
LP41 / 2LP41 (only)  
Legend plate Ø 60mm  
yellow with black text.  
*Not to be used with  
thermoplastic enclosures.*



Metal legend plates are engraved on both sides, one side in horizontal and the other side in a vertical orientation.

**Please visit [altechcorp.com/pb](http://altechcorp.com/pb) for other available legend plates.**

## English

Title	Cat No.	Title	Cat No.
AUTO	2LP09	OFF - ON	2LP46
AUTO HAND	2LP32	ON	2LP15
AUTO - MAN	2LP43	ON OFF	2LP30
B PHASE	2LP27	OPEN	2LP07
Blank Aluminum	2LP40	OVER	2LP74
BOTTOM HEAT	2LP101	OXY - ATM - AUTO	2LP58
CLEAR	2LP51	OXY - AUTO - ATM	2LP57
CLOSE	2LP08	POSITION , A B	2LP48
CLUTCH ON/OFF	2LP73	POWER ON	2LP20
Cycle Stop	2LP55	PUSHER CYCLE	2LP104
DOWN	2LP06	R PHASE	2LP25
EMERGENCY STOP	2LP41	RAISE - LOWER	2LP44
Emergency Stop (black)	2LP56	READY	2LP49
Emergency Stop (red)	2LP66	REMOTE	2LP22
FAST	2LP12	RESET	2LP13
FAULT	2LP107	RESET/MANUAL/AUTO	2LP103
FILM FEED	2LP105	REV FWD	2LP31
FOR-OFF-REV	2LP42	REV - OFF - FWD	2LP59
FORWARD	2LP03	REVERSE	2LP04
FWD - REV	2LP47	RIGHT	2LP17
HAND	2LP10	RUN	2LP24
HAND O AUTO	2LP36	SHEAR	2LP70
HOLD	2LP50	SIDE HEAT	2LP102
I II	2LP34	SLOW	2LP11
I O II	2LP39	SLOW OFF FAST	2LP37
INCH	2LP14	START	2LP01
INFEED	2LP72	START STOP	2LP28
INFEED ON/OFF	2LP71	STOP (red)	2LP02
JOG	2LP69	TEST	2LP23
JOG - RUN	2LP45	TRIP	2LP19
KNIFE CYCLE	2LP106	UNDERLOAD	2LP108
LEFT	2LP18	UP	2LP05
LOCAL	2LP21	UP DOWN	2LP29
LOCAL REMOTE	2LP33	UP OFF DOWN	2LP38
MAN O AUTO	2LP36	Y PHASE	2LP26
O I	2LP35		
OFF	2LP16	Temporary for Custom Imprint	2LPXX

## Spanish

Title	Cat No.	Title	Cat No.
ABAJO	2LP06SP	ENCENDIDO	2LP20SP
ABRIR	2LP07SP	ENCENDIDO APAGADO	2LP30SP
ADELANTE	2LP03SP	FALLA	2LP19SP
ADELANTE ATRAS	2LP31SP	FUERA	2LP16SP
ARRANQUE	2LP01SP	IZQUIERDA	2LP18SP
ARRANQUE PARO	2LP28SP	LENTO	2LP14SP
ARRIBA	2LP05SP	LENTO FUERA RAPIDO	2LP37SP
ARRIBA ABAJO	2LP29SP	LOCAL REMOTO	2LP33SP
ARRIBA FUERA ABAJO	2LP38SP	MAN O AUTO	2LP36SP
ATRAS	2LP04SP	MANUAL	2LP10SP
AUTO MAN	2LP32SP	PARO	2LP02SP
CERRAR	2LP08SP	PARO DE EMERGENCIA	2LP41SP
DENTRO	2LP15SP	RAPIDO	2LP12SP
DERECHO	2LP17SP	REARME	2LP13SP

# 22mm Push Button Accessories



## Replacement Lens for Illuminated Mushroom Operators

Color	Cat No.
<input type="checkbox"/> White	2ALM1L
<input checked="" type="checkbox"/> Green	2ALM3L
<input checked="" type="checkbox"/> Red	2ALM4L
<input checked="" type="checkbox"/> Amber	2ALM5L
<input checked="" type="checkbox"/> Blue	2ALM6L
<input type="checkbox"/> Clear	2ALM7L
<input checked="" type="checkbox"/> Yellow	2ALM8L

## Lenses for Pilot Lights with LED

Color	Cat No.
<input type="checkbox"/> White	2PLL1L
<input checked="" type="checkbox"/> Green	2PLL3L
<input checked="" type="checkbox"/> Red	2PLL4L
<input checked="" type="checkbox"/> Amber	2PLL5L
<input checked="" type="checkbox"/> Blue	2PLL6L
<input type="checkbox"/> Clear	2PLL7L
<input checked="" type="checkbox"/> Yellow	2PLL8L

## Lenses for Illuminated Actuators with LED (flush/projecting)

Color	Cat No.
<input type="checkbox"/> White	2LAL1L
<input checked="" type="checkbox"/> Green	2LAL3L
<input checked="" type="checkbox"/> Red	2LAL4L
<input checked="" type="checkbox"/> Amber	2LAL5L
<input checked="" type="checkbox"/> Blue	2LAL6L
<input type="checkbox"/> Clear	2LAL7L
<input checked="" type="checkbox"/> Yellow	2LAL8L

## Boots for Booted Actuators

Color	Cat No.
<input type="checkbox"/> White	2BT1
<input checked="" type="checkbox"/> Black	2BT2
<input checked="" type="checkbox"/> Green	2BT3
<input checked="" type="checkbox"/> Red	2BT4
<input checked="" type="checkbox"/> Blue	2BT6
<input type="checkbox"/> Clear	2BT7
<input checked="" type="checkbox"/> Yellow	2BT8

## Lenses for Pilot Lights with Filament Bulb

Color	Cat No.
<input type="checkbox"/> White	2PLL1
<input checked="" type="checkbox"/> Green	2PLL3
<input checked="" type="checkbox"/> Red	2PLL4
<input checked="" type="checkbox"/> Amber	2PLL5
<input checked="" type="checkbox"/> Blue	2PLL6
<input type="checkbox"/> Clear	2PLL7
<input checked="" type="checkbox"/> Yellow	2PLL8

## Lenses for Illuminated Actuators with Filament Bulb

Color	Cat No.
<input type="checkbox"/> White	2LAL1
<input checked="" type="checkbox"/> Green	2LAL3
<input checked="" type="checkbox"/> Red	2LAL4
<input checked="" type="checkbox"/> Amber	2LAL5
<input checked="" type="checkbox"/> Blue	2LAL6
<input type="checkbox"/> Clear	2LAL7
<input checked="" type="checkbox"/> Yellow	2LAL8

## Replacement Bulbs



### Filament Bulbs

Color	Voltage	Cat No.
<input type="checkbox"/> Clear	12V AC/DC	BA9S12
<input type="checkbox"/> Clear	24V AC/DC	BA9S24
<input type="checkbox"/> Clear	48V AC/DC	BA9S48
<input type="checkbox"/> Clear	110V AC/DC	BA9S110
<input type="checkbox"/> Clear	230V AC/DC	BA9S220

### LED Bulbs

Color	Voltage	Cat No.
<input type="checkbox"/> White	12V AC/DC	MCB9112
<input checked="" type="checkbox"/> Green	12V AC/DC	MCB9312
<input checked="" type="checkbox"/> Red	12V AC/DC	MCB9412
<input checked="" type="checkbox"/> Amber	12V AC/DC	MCB9512
<input checked="" type="checkbox"/> Blue	12V AC/DC	MCB9612
<input checked="" type="checkbox"/> Yellow	12V AC/DC	MCB9812

### LED Bulbs

Color	Voltage	Cat No.	Color	Voltage	Cat No.
<b>110V AC</b>					
<input type="checkbox"/> White	110V AC	MCB91110	<input type="checkbox"/> White	230V AC	MCB91230
<input checked="" type="checkbox"/> Green	110V AC	MCB93110	<input checked="" type="checkbox"/> Green	230V AC	MCB93230
<input checked="" type="checkbox"/> Red	110V AC	MCB94110	<input checked="" type="checkbox"/> Red	230V AC	MCB94230
<input checked="" type="checkbox"/> Amber	110V AC	MCB95110	<input checked="" type="checkbox"/> Amber	230V AC	MCB95230
<input checked="" type="checkbox"/> Blue	110V AC	MCB96110	<input checked="" type="checkbox"/> Blue	230V AC	MCB96230
<input checked="" type="checkbox"/> Yellow	110V AC	MCB98110	<input checked="" type="checkbox"/> Yellow	230V AC	MCB98230
<b>110V DC</b>					
<input type="checkbox"/> White	110V DC	MCB91110D	<input type="checkbox"/> White	230V DC	MCB91230D
<input checked="" type="checkbox"/> Green	110V DC	MCB93110D	<input checked="" type="checkbox"/> Green	230V DC	MCB93230D
<input checked="" type="checkbox"/> Red	110V DC	MCB94110D	<input checked="" type="checkbox"/> Red	230V DC	MCB94230D
<input checked="" type="checkbox"/> Amber	110V DC	MCB95110D	<input checked="" type="checkbox"/> Amber	230V DC	MCB95230D
<input checked="" type="checkbox"/> Blue	110V DC	MCB96110D	<input checked="" type="checkbox"/> Blue	230V DC	MCB96230D
<input checked="" type="checkbox"/> Yellow	110V DC	MCB98110D	<input checked="" type="checkbox"/> Yellow	230V DC	MCB98230D
<b>24V AC/DC</b>					
<input type="checkbox"/> White	24V AC/DC	MCB9124	<input type="checkbox"/> White	48V AC/DC	MCB9148
<input checked="" type="checkbox"/> Green	24V AC/DC	MCB9324	<input checked="" type="checkbox"/> Green	48V AC/DC	MCB9348
<input checked="" type="checkbox"/> Red	24V AC/DC	MCB9424	<input checked="" type="checkbox"/> Red	48V AC/DC	MCB9448
<input checked="" type="checkbox"/> Amber	24V AC/DC	MCB9524	<input checked="" type="checkbox"/> Amber	48V AC/DC	MCB9548
<input checked="" type="checkbox"/> Blue	24V AC/DC	MCB9624	<input checked="" type="checkbox"/> Blue	48V AC/DC	MCB9648
<input checked="" type="checkbox"/> Yellow	24V AC/DC	MCB9824	<input checked="" type="checkbox"/> Yellow	48V AC/DC	MCB9848

## Maximum Power Consumption:

Supply Voltage	LED		FILAMENT BULBS	
	Power (max) in Watts	Current	Power (max) in Watts	Current
12V	0.5W	max 20mA	2W	max 166mA
24V	0.5W	max 20mA	2W	max 85mA
48V	0.5W	max 20mA	2W	max 45mA
110V	0.5W	max 15mA	2.6W	max 20mA
240V	1W	max 10mA	2.6W	max 20mA

These bulbs are available in various colors and Voltages. A filament bulb can be directly replaced with these LED based bulbs without having to change any other expensive part of your existing lamps.

These bulbs use high brightness LED chips which last for more than 100,000 hours and consume very little power. Heat generated by LED based bulbs is negligible hence no damage to the body of the lamp or any operator in case of illuminated push buttons.

These bulbs can be used to replace 12V AC/DC, 24V AC/DC, 48V AC/DC, 110V AC or DC and 240V AC or DC circuits directly. LED color indication is given on the bulb for easy identification.

Conforming Standards: UL508, CSA 22.2, IEC 60947-5-1



## 22mm Push Button Accessories



**Push Push mechanism for converting spring return actuator into maintained**  
Cat. No. 2PPM



**Transparent Silicone Rubber Boot for Flush Actuators**  
Color: Clear  
Cat. No. 2BT7 (for non-illuminated)  
2ALBT7 (for illuminated)



**Adapter for installing a Ø22.5 device in Ø 30.5 cutout**  
Cat. No. 2ADP (with washer)  
ADW (washer only)



**Rubber Boot for Twin Actuators**  
Color: Clear  
Cat. No. 2ATBT7 (Non-Illuminated)  
2ATLBT7 (illuminated)



**Mounting Bracket**  
Cat. No. 2BRK  
Cat. No. 2BRKT (Thin Bracket for Base Mount Enclosures)



**Blanking plug for 22.5 mm holes**  
Color: Black  
Cat. No. 2BP2  
**Blanking plug for M20 (20mm) or NPT 1/2" holes**  
Color: Gray  
Cat. No. M20  
Cat. No. NPT1/2



**Padlock**  
For mushroom actuator: Cat. No. 2PAM  
For projecting actuator: Cat. No. 2PAP



**Bulb Extractor**  
Cat. No. 2BA9SE



**E-Stop Shroud**  
Plastic protector: Cat. No. 2ESS1  
Plastic protector (UL): Cat. No. 2ESS1-UL



**Bulb Holder for Illuminated Push Buttons**  
Cat. No. 2LHB



**Plastic Cover**  
Cat. No. 2PAM7



**Rubber Gasket**  
Cat. No. 2PRG1



**Replacement Keys**  
For all 22mm operators with keys  
Cat. No. 2KY455



**Rubber Boot for Contact Elements**  
Cat. No. 2SEBT2

# 22mm Push Button Switch Contacts

## Panel Mount Types



**S1**  
Normally  
Open  
Silver



**S2**  
Normally  
Closed  
Silver



**S3**  
Normally  
Open  
Gold plated

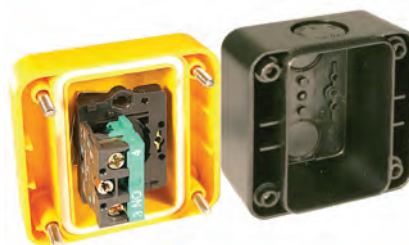


**S4**  
Normally  
Closed  
Gold plated

Mounting Examples:



Cast Aluminum Enclosure  
with panel mount contacts  
and metal operator



Plastic Enclosure  
with panel mount contacts  
and plastic operator

## Base Mount Types



**S5\***  
Normally  
Open  
Silver



**S6\***  
Normally  
Closed  
Silver

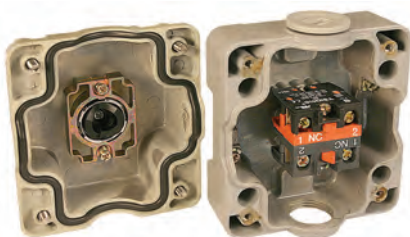


**S7\***  
Normally  
Open  
Gold plated



**S8\***  
Normally  
Closed  
Gold plated

Mounting Examples:



Cast Aluminum Enclosure  
with base mount contacts  
and metal operator



Plastic Enclosure  
with base mount contacts  
and metal operator



Plastic Enclosure  
with base mount contacts  
and plastic operator

\* For use with non-illuminated operators in thermoplastic or aluminum enclosures listed on page 30 and 36.

## Pre-assembled or Ready to Assemble Control Stations



### Solutions for your applications

Backed by technical and industrial experience, we offer preassembled ready to install or assembled to order control stations. Altech offers several ranges of control stations. From a cost effective plastic enclosure assembled with 22 mm push buttons to a heavy duty cast aluminum enclosure assembled with 22 or 30mm push buttons, you will find the one that fits your application.



Sample Part No. 44.2R.-156

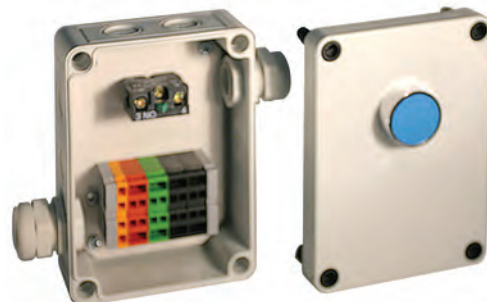


### High performance and Extensive range

**Our basic plastic or Pressure Die Cast aluminum (PDC)** enclosures are available with contact blocks mounted on the bracket behind the 22 mm operator or in the rear (base) of the enclosure (*see page 41*). Altech can assemble the control station to the customer specifications or it can be ordered unassembled. These enclosures are easy to assemble by using any Non-Illuminated operator with a maximum of 2 contacts per operator.

**Our plastic** enclosures on pages 34-35 can be customized to meet the customer's most demanding applications. These enclosures can be equipped with any 22 mm illuminated or Non-Illuminated operators. Use up to 2 contact blocks with the illuminated operators or up to 4 contact blocks with the Non-illuminated operators.

**Our Gravity Die Cast aluminum (GDC)** enclosures have an excellent resistance to mechanical shock and vibration. They can be equipped with any illuminated or Non-Illuminated operators. Use up to 2 contact blocks with the illuminated 22mm operators or up to 4 contact blocks with the Non-illuminated 22mm operators. This enclosure can be modified to accept any Non-illuminated 30mm operator or pilot light as well.





## Pre-assembled or Ready to Assemble Control Stations



### Application specific solutions

These products are suitable for a wide variety of applications. They have an excellent resistance to corrosion and cleaning agents. They are tolerant of high pressure cleaning without leakage. These enclosures combined with our push buttons offer an excellent price/performance ratio.

Our staff has the ability to take your requirements and rapidly turn them into a solution. We use the latest CAD system in our process. Prototypes are available for most application specific requirements.



Sample Part No. 44-200T



### Safety and reliability

The majority of the enclosures meet all industrial application requirements from the most common to the most extreme.

They have international certifications such as UL, CE, etc. They conform to IEC standards, have a IP65 rating and NEMA Type 4X protection.

*Metal legend plates are engraved on both sides, one side in horizontal and the other side in a vertical orientation.*

### Save Time

Our control stations save you time, simplify and speed up your installation while maintaining the high quality and appearance of your equipment.

Mounting is easy, the only tool you need is a screwdriver.



## 30mm Metal Push Buttons

The Altech 30mm Push Button line include a complete selection of push buttons, pilot lights and selector switches and accessories. All properly assembled devices are UL and CE Recognized and they certified for NEMA type 4X applications. An internal seal provides watertight integrity and all components are corrosion resistant materials.

Our contact blocks are color coded for an easy assembly and identification (Red=S11, Yellow=S12). Illuminated or Non-Illuminated push buttons in various colors are available for quick delivery.

Selector Switches are available in a 2 or 3 position styles with and option for momentary or maintained function. The pilot lights are full voltage and LED and filament bubs are interchangeable.

Cast aluminum control stations are available to your specifications.

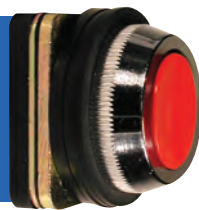
These Ø 30 control devices can be mounted in any position in panels of 1 to 6 mm (.039 - .236 in.) thickness.

## 30mm Non-Illuminated Metal Operators



Certified for  
**NEMA Type 4X**  
12 environment.

### Flush Non-Illuminated Momentary



Color	Function	Cat No.
□ White	Momentary	AF1
■ Black	Momentary	AF2
■ Green	Momentary	AF3
■ Red	Momentary	AF4
■ Blue	Momentary	AF6
■ Yellow	Momentary	AF8

### Booted Momentary



Color	Function	Cat No.
□ White	Momentary	AB1
■ Black	Momentary	AB2
■ Green	Momentary	AB3
■ Red	Momentary	AB4
■ Blue	Momentary	AB6
■ Yellow	Momentary	AB8

### Projecting Momentary



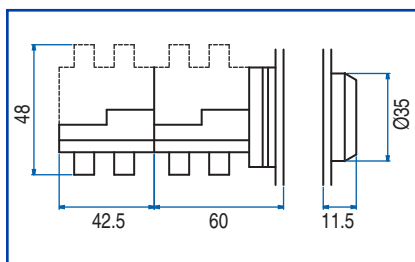
Color	Function	Cat No.
□ White	Momentary	AP1
■ Black	Momentary	AP2
■ Green	Momentary	AP3
■ Red	Momentary	AP4
■ Blue	Momentary	AP6
■ Yellow	Momentary	AP8

## 30mm Non-Illuminated Metal Operators

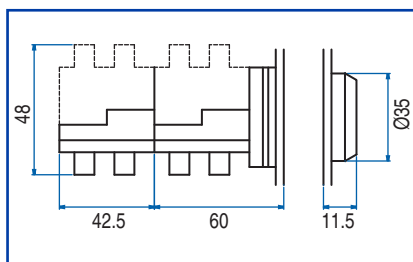
### Dimensional Drawings

All dimensions shown in millimeters.  
To convert to inches multiply by 0.03937

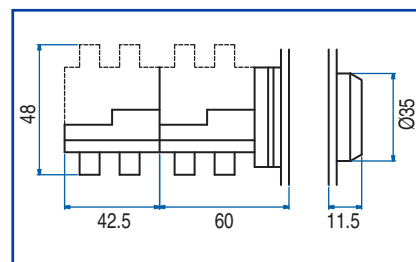
Flush Momentary



Booted Momentary



Projecting Momentary



### Contact Elements

#### Description

1 Normally Open + 1 Normally Closed  
Silver Contacts

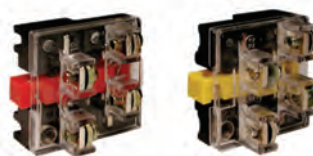
#### Cat. No.

S11

2 Normally Open + 2 Normally Closed  
Silver Contacts

S11 + S12

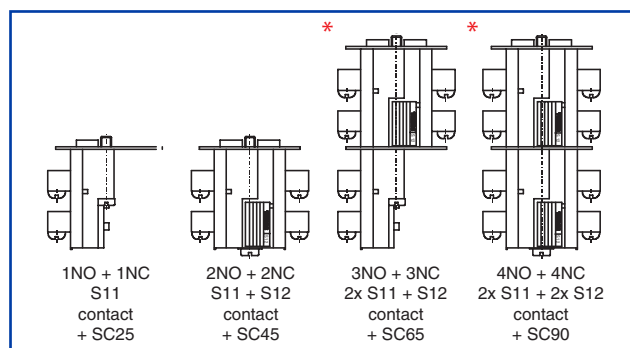
For additional contacts, see diagram at right.



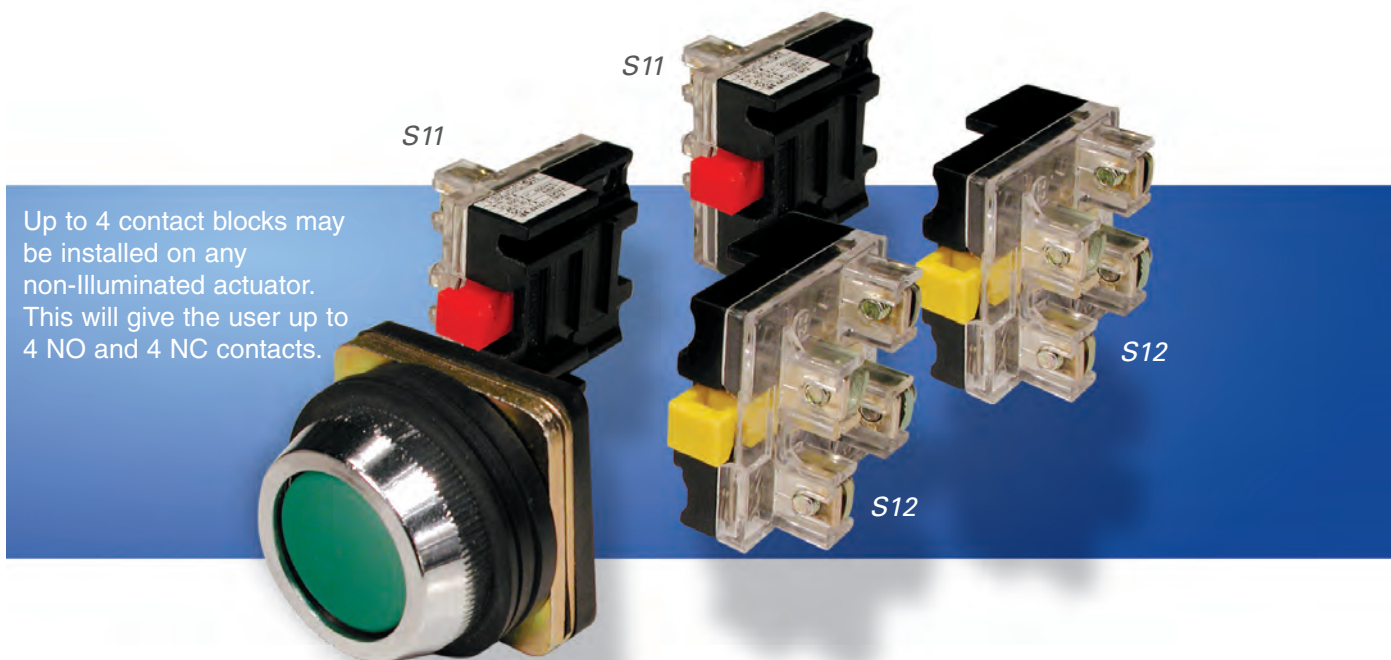
#### Contact Installation Screws

Type	Dimensions	Used with
SC25	M4 x 25 mm	S11
SC45	M4 x 45 mm	S11 + S12
SC65	M4 x 65 mm	2x S11 + S12
SC90	M4 x 90 mm	2x S11 + 2x S12

\* When using more than two contact blocks, additional screws must be purchased separately (SC65 and SC90).



### Exploded Assembly View



Up to 4 contact blocks may be installed on any non-illuminated actuator. This will give the user up to 4 NO and 4 NC contacts.

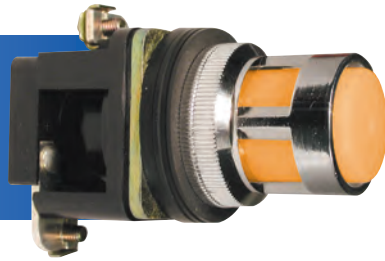


# 30mm Illuminated Metal Operators



Certified for  
**NEMA Type 4X**  
12 environment.

## Flush Illuminated Momentary



*Note:*  
All LED illuminated actuators and pilot lights at a specified voltage will operate on AC and DC.  
Except for 110V and 230V specify AC or DC type.



Replacement bulbs  
available.  
See page 54.



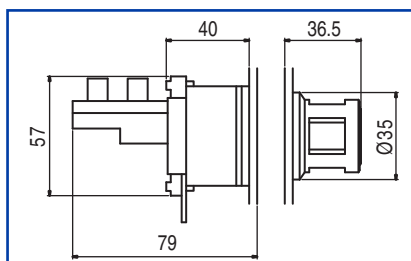
Color	Voltage	Cat No.
<b>24V AC/DC (filament bulb)</b>		
<input type="checkbox"/> White	24V AC/DC	ALF1-024
<input checked="" type="checkbox"/> Green	24V AC/DC	ALF3-024
<input checked="" type="checkbox"/> Red	24V AC/DC	ALF4-024
<input checked="" type="checkbox"/> Amber	24V AC/DC	ALF5-024
<input checked="" type="checkbox"/> Blue	24V AC/DC	ALF6-024
<input type="checkbox"/> Clear	24V AC/DC	ALF7-024
<input checked="" type="checkbox"/> Yellow	24V AC/DC	ALF8-024
<b>48V AC/DC (filament bulb)</b>		
<input type="checkbox"/> White	48V AC/DC	ALF1-048
<input checked="" type="checkbox"/> Green	48V AC/DC	ALF3-048
<input checked="" type="checkbox"/> Red	48V AC/DC	ALF4-048
<input checked="" type="checkbox"/> Amber	48V AC/DC	ALF5-048
<input checked="" type="checkbox"/> Blue	48V AC/DC	ALF6-048
<input type="checkbox"/> Clear	48V AC/DC	ALF7-048
<input checked="" type="checkbox"/> Yellow	48V AC/DC	ALF8-048
<b>110V AC/DC (filament bulb)</b>		
<input type="checkbox"/> White	110V AC/DC	ALF1-110
<input checked="" type="checkbox"/> Green	110V AC/DC	ALF3-110
<input checked="" type="checkbox"/> Red	110V AC/DC	ALF4-110
<input checked="" type="checkbox"/> Amber	110V AC/DC	ALF5-110
<input checked="" type="checkbox"/> Blue	110V AC/DC	ALF6-110
<input type="checkbox"/> Clear	110V AC/DC	ALF7-110
<input checked="" type="checkbox"/> Yellow	110V AC/DC	ALF8-110
<b>230V AC (filament bulb)</b>		
<input type="checkbox"/> White	230V AC	ALF1-230
<input checked="" type="checkbox"/> Green	230V AC	ALF3-230
<input checked="" type="checkbox"/> Red	230V AC	ALF4-230
<input checked="" type="checkbox"/> Amber	230V AC	ALF5-230
<input checked="" type="checkbox"/> Blue	230V AC	ALF6-230
<input type="checkbox"/> Clear	230V AC	ALF7-230
<input checked="" type="checkbox"/> Yellow	230V AC	ALF8-230
<i>230V DC version is available on request.</i>		
<b>24V AC/DC (LED bulb)</b>		
<input type="checkbox"/> White	24V AC/DC	ALF1LB-024
<input checked="" type="checkbox"/> Green	24V AC/DC	ALF3LB-024
<input checked="" type="checkbox"/> Red	24V AC/DC	ALF4LB-024
<input checked="" type="checkbox"/> Amber	24V AC/DC	ALF5LB-024
<input checked="" type="checkbox"/> Blue	24V AC/DC	ALF6LB-024
<input type="checkbox"/> Clear	24V AC/DC	ALF7LB-024
<input checked="" type="checkbox"/> Yellow	24V AC/DC	ALF8LB-024
<b>48V AC/DC (LED bulb)</b>		
<input type="checkbox"/> White	48V AC/DC	ALF1LB-048
<input checked="" type="checkbox"/> Green	48V AC/DC	ALF3LB-048
<input checked="" type="checkbox"/> Red	48V AC/DC	ALF4LB-048
<input checked="" type="checkbox"/> Amber	48V AC/DC	ALF5LB-048
<input checked="" type="checkbox"/> Blue	48V AC/DC	ALF6LB-048
<input type="checkbox"/> Clear	48V AC/DC	ALF7LB-048
<input checked="" type="checkbox"/> Yellow	48V AC/DC	ALF8LB-048
<b>110V AC/DC (LED bulb)</b>		
<input type="checkbox"/> White	110V AC	ALF1LB-110
<input checked="" type="checkbox"/> Green	110V AC	ALF3LB-110
<input checked="" type="checkbox"/> Red	110V AC	ALF4LB-110
<input checked="" type="checkbox"/> Amber	110V AC	ALF5LB-110
<input checked="" type="checkbox"/> Blue	110V AC	ALF6LB-110
<input type="checkbox"/> Clear	110V AC	ALF7LB-110
<input checked="" type="checkbox"/> Yellow	110V AC	ALF8LB-110
<b>230V AC* (LED bulb)</b>		
<input type="checkbox"/> White	230V AC*	ALF1LB-230
<input checked="" type="checkbox"/> Green	230V AC*	ALF3LB-230
<input checked="" type="checkbox"/> Red	230V AC*	ALF4LB-230
<input checked="" type="checkbox"/> Amber	230V AC*	ALF5LB-230
<input checked="" type="checkbox"/> Blue	230V AC*	ALF6LB-230
<input type="checkbox"/> Clear	230V AC*	ALF7LB-230
<input checked="" type="checkbox"/> Yellow	230V AC*	ALF8LB-230
<i>*230V DC version is available on request.</i>		

## 30mm Illuminated Metal Operators

### Dimensional Drawings

All dimensions shown in millimeters.  
To convert to inches multiply by 0.03937

Flush Illuminated Momentary



### Contact Elements

#### Description

1 Normally Open + 1 Normally Closed  
Silver Contacts

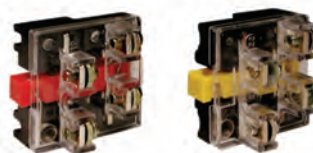
#### Cat. No.

S11

2 Normally Open + 2 Normally Closed  
Silver Contacts

S11 + S12

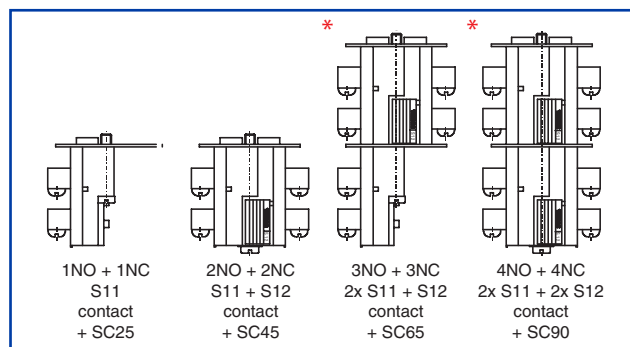
For additional contacts, see diagram at right.



#### Contact Installation Screws

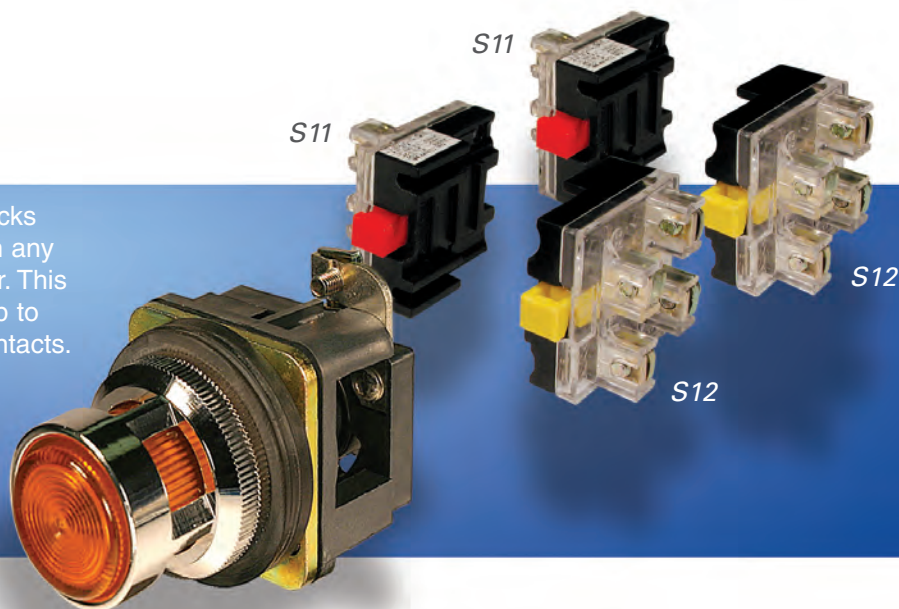
Type	Dimensions	Used with
SC25	M4 x 25 mm	S11
SC45	M4 x 45 mm	S11 + S12
SC65	M4 x 65 mm	2x S11 + S12
SC90	M4 x 90 mm	2x S11 + 2x S12

\* When using more than two contact blocks, additional screws must be purchased separately (SC65 and SC90).



### Exploded Assembly View

Up to 4 contact blocks may be installed on any Illuminated actuator. This will give the user up to 2 NO and 2 NC contacts.



# 30mm Selector Switch Metal Operators



Certified for  
**NEMA Type 4X**  
12 environment.

## Selector Maintained & Momentary



Other colors available upon request. Please contact Altech for further information and part numbers.

### Color

### Cat No.

#### 2 Position Maintained

■ Black	AS2-2P
---------	--------

#### 3 Position Maintained

■ Black	AS2-3P
---------	--------

#### 2 Position Momentary

■ Black	AS2-2PSR
---------	----------

## Key Selector Switch

*Keyed Alike*



To be used for applications where single or multiple operators are used, but the same key configurations are required. Standard key selector switches have the same key configuration (Cat. No. KY30).

### Function

### Key Removal

### Cat No.

#### 2 Position

Maintained	∩	Left/Right	AK2-2PB
Momentary	∩	Left	AK2-2POSR
Maintained	∩	Right	AK2-2PI
Maintained	∩	Left	AK2-2PO

#### 3 Position

Maintained	∩	Left/Right	AK2-3PB
Maintained	∩	Center	AK2-3PC



### Replacement Key

**KY30**

## Key Selector Switch

*Keyed Differently*



To be used for applications where multiple operators are used, but different key configurations are required. Each cat. no. have different key configurations.

### Function

### Key Removal

### Cat No.

#### 2 Position

Maintained	∩	Left	AK2-2PO-KD
Momentary	∩	Left	AK2-2PO-KD1
Maintained	∩	Left	AK2-2PO-KD2
Maintained	∩	Left	AK2-2PO-KD4
Maintained	∩	Left	AK2-2PO-KD5

#### 3 Position

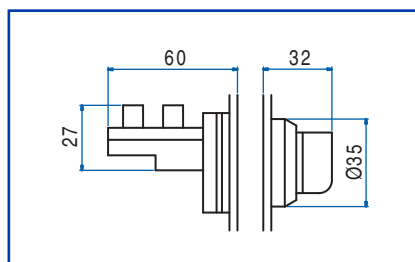
Maintained	∩	Center	AK2-3PC-KD
Maintained	∩	Center	AK2-3PC-KD1
Maintained	∩	Center	AK2-3PC-KD2
Maintained	∩	Center	AK2-3PC-KD3

## 30mm Selector Switch Metal Operators

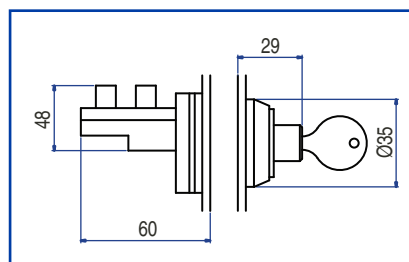
### Dimensional Drawings

All dimensions shown in millimeters.  
To convert to inches multiply by 0.03937

Flush Maintained and Momentary



Key Selector



### Contact Elements

#### Description

1 Normally Open + 1 Normally Closed  
Silver Contacts

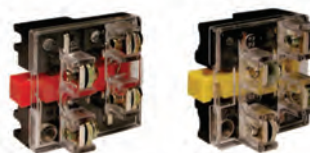
#### Cat. No.

S11

2 Normally Open + 2 Normally Closed  
Silver Contacts

S11 + S12

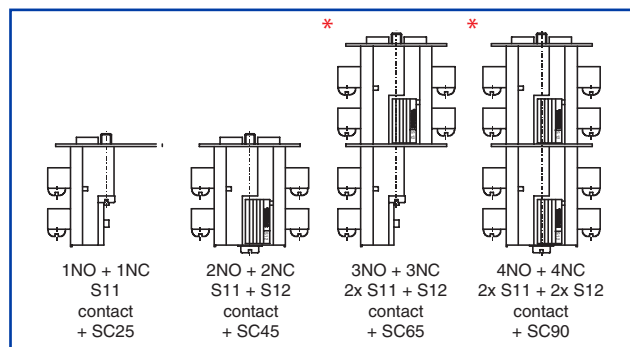
For additional contacts, see diagram at right.



#### Contact Installation Screws

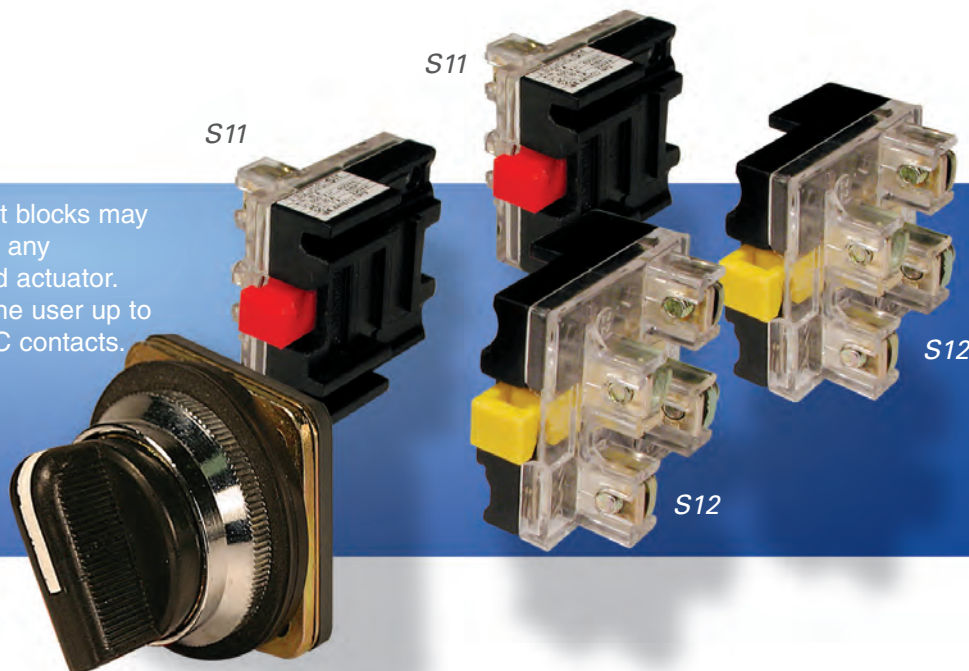
Type	Dimensions	Used with
SC25	M4 x 25 mm	S11
SC45	M4 x 45 mm	S11 + S12
SC65	M4 x 65 mm	2x S11 + S12
SC90	M4 x 90 mm	2x S11 + 2x S12

\* When using more than two contact blocks, additional screws must be purchased separately (SC65 and SC90).



### Exploded Assembly View

Up to 4 contact blocks may be installed on any non-illuminated actuator. This will give the user up to 4 NO and 4 NC contacts.





# 30mm Non-Illuminated Metal Operators



Certified for  
**NEMA Type 4X**  
12 environment.

## Mushroom with Key



All keys are “keyed alike”. Different keys are available on request.  
Other colors are available on request.

Color	Function	Cat No.
-------	----------	---------

### Press to Lock, Key to Release

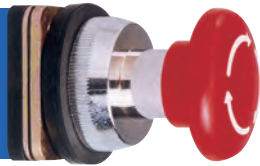
■ Black	Maintained	AMLKB2
■ Red	Maintained	AMLKB4

### Key to Lock, Key to Release

■ Black	Maintained	AMKB2
■ Red	Maintained	AMKB4

## Mushroom with Indicating Arrows

(Press to lock, turn to release.)



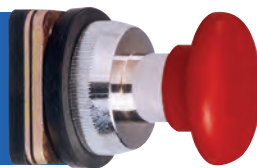
Other colors are available on request.

Color	Function	Cat No.
-------	----------	---------

### Press to Lock, Turn to Release

■ Black	Maintained	AML2
■ Red	Maintained	AML4

## Mushroom Momentary



Color	Function	Cat No.
-------	----------	---------

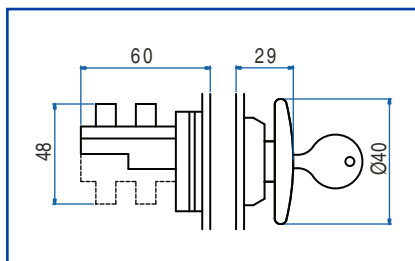
□ White	Momentary	AM1
■ Black	Momentary	AM2
■ Green	Momentary	AM3
■ Red	Momentary	AM4
■ Blue	Momentary	AM6
■ Yellow	Momentary	AM8

## 30mm Non-Illuminated Metal Operators

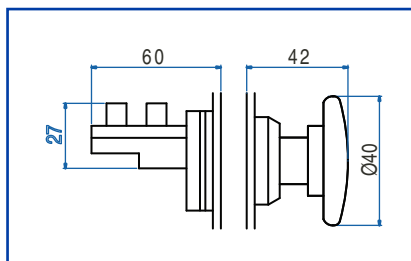
### Dimensional Drawings

All dimensions shown in millimeters.  
To convert to inches multiply by 0.03937

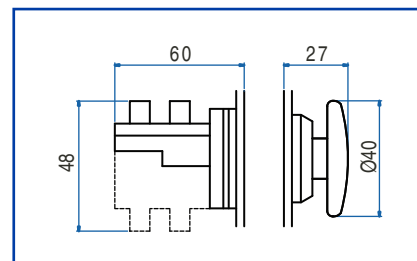
Mushroom with Key



Mushroom with Indicating Arrows



Mushroom Momentary



### Contact Elements

#### Description

1 Normally Open + 1 Normally Closed  
Silver Contacts

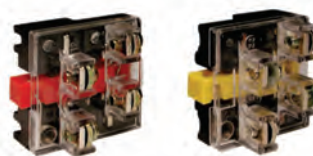
#### Cat. No.

S11

2 Normally Open + 2 Normally Closed  
Silver Contacts

S11 + S12

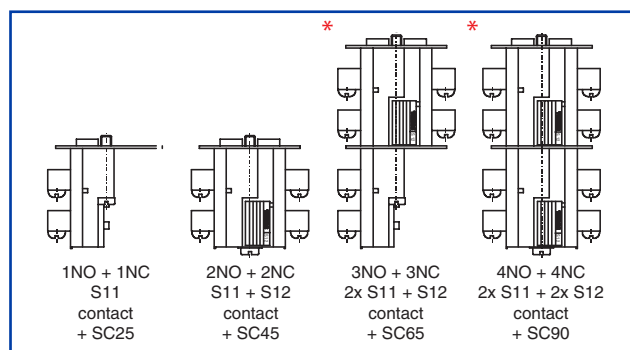
For additional contacts, see diagram at right.



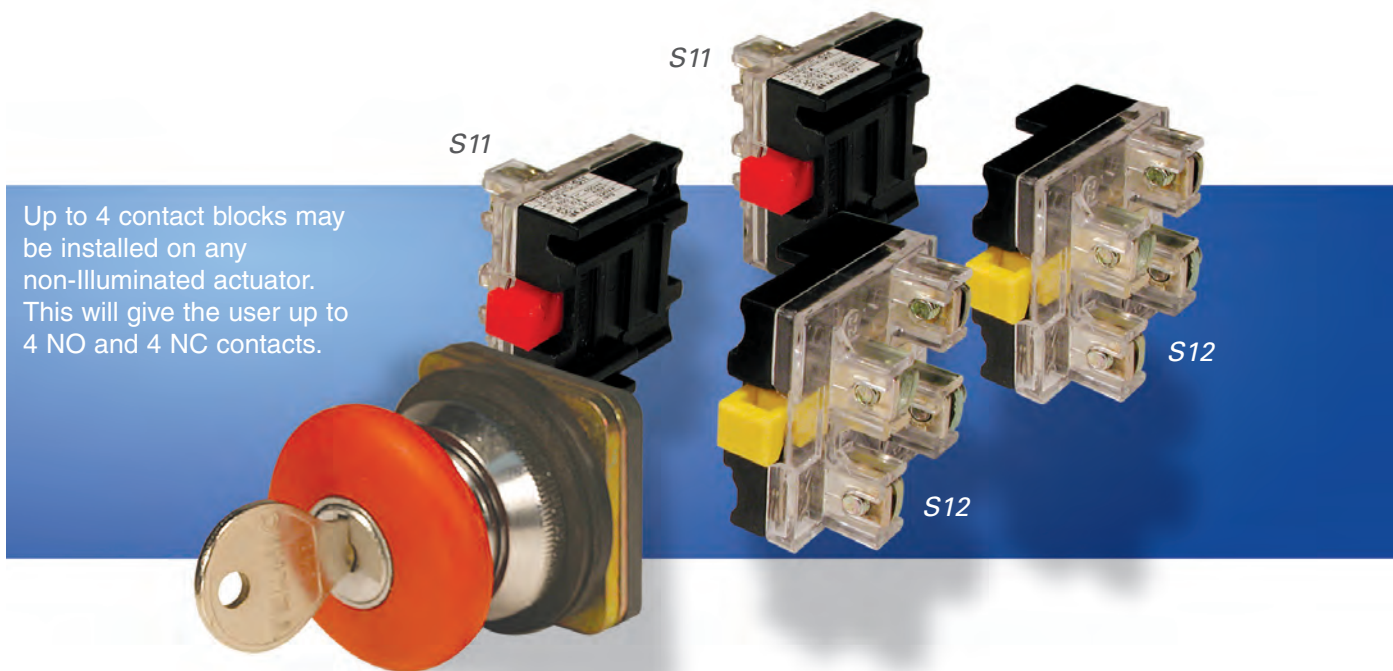
#### Contact Installation Screws

Type	Dimensions	Used with
SC25	M4 x 25 mm	S11
SC45	M4 x 45 mm	S11 + S12
SC65	M4 x 65 mm	2x S11 + S12
SC90	M4 x 90 mm	2x S11 + 2x S12

\* When using more than two contact blocks, additional screws must be purchased separately (SC65 and SC90).



### Exploded Assembly View



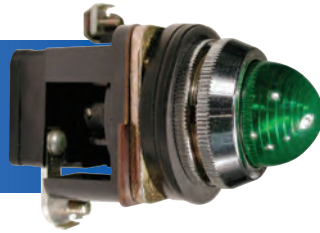
Up to 4 contact blocks may be installed on any non-illuminated actuator. This will give the user up to 4 NO and 4 NC contacts.

# 30mm Metal Pilot Lights



Certified for  
**NEMA Type 4X**  
12 environment.

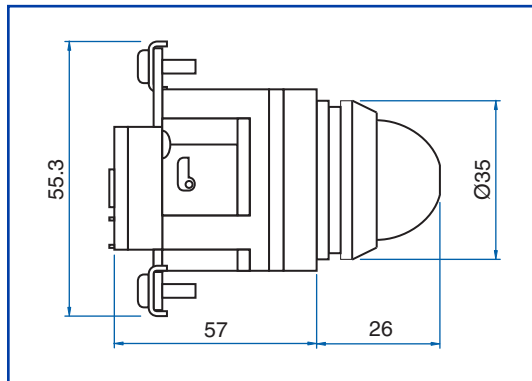
## Pilot Light



**Note:**  
All LED pilot lights and illuminated actuators at a specified voltage will operate on AC and DC.  
Except for 110 and 230V specify AC or DC type.

## Dimensional Drawings

Pilot Light



Replacement bulbs  
available.  
See page 54.



### Filament Bulb

Color	Voltage	Cat No.
<b>24V AC/DC (filament bulb)</b>		
White	24V AC/DC	PLB1-024
Green	24V AC/DC	PLB3-024
Red	24V AC/DC	PLB4-024
Amber	24V AC/DC	PLB5-024
Blue	24V AC/DC	PLB6-024
Clear	24V AC/DC	PLB7-024
Yellow	24V AC/DC	PLB8-024
<b>48V AC/DC (filament bulb)</b>		
White	48V AC/DC	PLB1-048
Green	48V AC/DC	PLB3-048
Red	48V AC/DC	PLB4-048
Amber	48V AC/DC	PLB5-048
Blue	48V AC/DC	PLB6-048
Clear	48V AC/DC	PLB7-048
Yellow	48V AC/DC	PLB8-048
<b>110V AC/DC (filament bulb)</b>		
White	110V AC/DC	PLB1-110
Green	110V AC/DC	PLB3-110
Red	110V AC/DC	PLB4-110
Amber	110V AC/DC	PLB5-110
Blue	110V AC/DC	PLB6-110
Clear	110V AC/DC	PLB7-110
Yellow	110V AC/DC	PLB8-110
<b>230V AC/DC (filament bulb)</b>		
White	230V AC/DC	PLB1-230
Green	230V AC/DC	PLB3-230
Red	230V AC/DC	PLB4-230
Amber	230V AC/DC	PLB5-230
Blue	230V AC/DC	PLB6-230
Clear	230V AC/DC	PLB7-230
Yellow	230V AC/DC	PLB8-230

### LED Bulb

Color	Voltage	Cat No.
<b>24V AC/DC (LED bulb)</b>		
White	24V AC/DC	PLB1LB-024
Green	24V AC/DC	PLB3LB-024
Red	24V AC/DC	PLB4LB-024
Amber	24V AC/DC	PLB5LB-024
Blue	24V AC/DC	PLB6LB-024
Clear	24V AC/DC	PLB7LB-024
Yellow	24V AC/DC	PLB8LB-024
<b>48V AC/DC (LED bulb)</b>		
White	48V AC/DC	PLB1LB-048
Green	48V AC/DC	PLB3LB-048
Red	48V AC/DC	PLB4LB-048
Amber	48V AC/DC	PLB5LB-048
Blue	48V AC/DC	PLB6LB-048
Clear	48V AC/DC	PLB7LB-048
Yellow	48V AC/DC	PLB8LB-048
<b>110V AC/DC (LED bulb)</b>		
White	110V AC	PLB1LB-110
Green	110V AC	PLB3LB-110
Red	110V AC	PLB4LB-110
Amber	110V AC	PLB5LB-110
Blue	110V AC	PLB6LB-110
Clear	110V AC	PLB7LB-110
Yellow	110V AC	PLB8LB-110
<b>230V AC* (LED bulb)</b>		
White	230V AC*	PLB1LB-230
Green	230V AC*	PLB3LB-230
Red	230V AC*	PLB4LB-230
Amber	230V AC*	PLB5LB-230
Blue	230V AC*	PLB6LB-230
Clear	230V AC*	PLB7LB-230
Yellow	230V AC*	PLB8LB-230

\*230V DC version is available on request.

# Aluminum Enclosures for 30mm Operators



Certified for  
**NEMA Type 4X**  
12 environment.

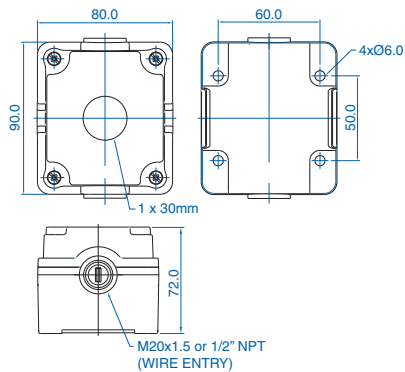


**Aluminum** (72mm Height)  
**Pressure Die Cast**

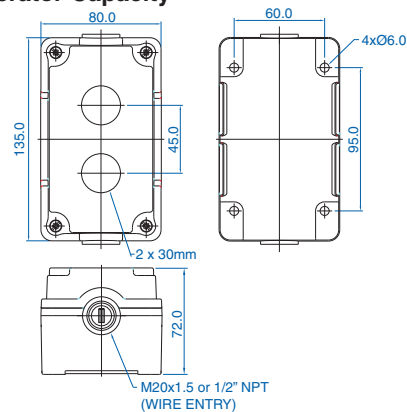
Operator Capacity	Cat. No. Black base/ Grey Cover*	Color Black base/ Yellow Cover	Material Construction	Dimensions LxWxH mm (in.)	Cable Entry Thread Size	Mounting Hole Dia.
1	7011A13	7023A10	PDC Aluminum, EH	80x90x72 (3.15x3.54x2.83)	2xM20	4 X 6mm
2	7008C13	7017C10	PDC Aluminum, EH	80x135x72 (3.15x5.32x2.83)	2xM20	4 X 6mm
3	7006E13	7018E10	PDC Aluminum, EH	80x180x72 (3.15x7.09x2.83)	2xM20	4 X 6mm
4	7006G13	7010G10	PDC Aluminum, EH	80x225x72 (3.15x8.86x2.83)	2xM20	4 X 6mm
1	7012A13	7024A10	PDC Aluminum, EH	80x90x72 (3.15x3.54x2.83)	2x1/2"-14 NPT	4 X 6mm
2	7009C13	7018C10	PDC Aluminum, EH	80x135x72 (3.15x5.32x2.83)	2x1/2"-14 NPT	4 X 6mm
3	7007E13	7019E10	PDC Aluminum, EH	80x180x72 (3.15x7.09x2.83)	2x1/2"-14 NPT	4 X 6mm
4	7007G13	7011G10	PDC Aluminum, EH	80x225x72 (3.15x8.86x2.83)	2x1/2"-14 NPT	4 X 6mm

\*Color code RAL 7032, Pebble Gray. Other colors available upon request.

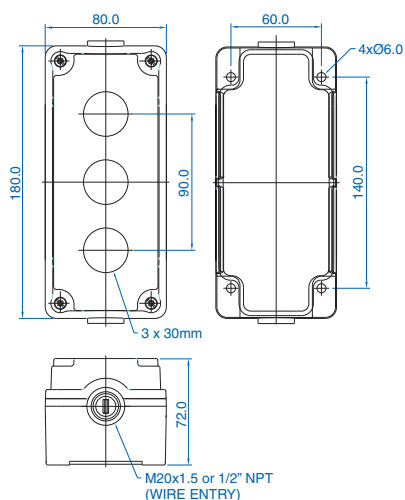
## 1 - Operator Capacity



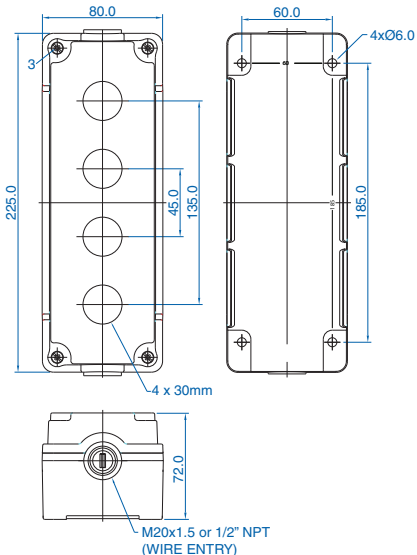
## 2 - Operator Capacity



## 3 - Operator Capacity



## 4 - Operator Capacity



All dimensions shown in millimeters. To convert to inches multiply by 0.03937



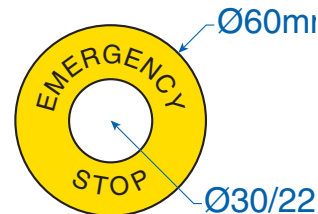
# 30mm Push Button Accessories



Metal legend plates are engraved in horizontal and vertical orientations, one per side.



**EMERGENCY STOP**  
LP41  
Legend plate Ø 60mm  
yellow with black text.



Title	Cat No.	Title	Cat No.
AUTO	LP09	OVER	LP74
CLOSE	LP08	POWER ON	LP20
DOWN	LP07	RESET	LP13
EMERGENCY STOP	LP41	REVERSE	LP04
FAST	LP12	RIGHT	LP17
HAND	LP10	RUN	LP24
HAND, O, AUTO	LP36	SLOW	LP11
INCH	LP14	START	LP01
LEFT	LP18	STOP (red)	LP02
OFF	LP16	TRIP	LP19
ON	LP15	UNDER LOAD	LP108
OPEN	LP07		

## Replacement Bulbs



### Filament Bulbs

Color	Voltage	Cat No.
<input type="checkbox"/> Clear	12V AC/DC	BA15D12
<input type="checkbox"/> Clear	24V AC/DC	BA15D24
<input type="checkbox"/> Clear	48V AC/DC	BA15D48
<input type="checkbox"/> Clear	110V AC/DC	BA15D110
<input type="checkbox"/> Clear	230V AC/DC	BA15D220

### LED Bulbs

Color	Voltage	Cat No.
<input type="checkbox"/> White	12V AC/DC	MCB15112
<input checked="" type="checkbox"/> Green	12V AC/DC	MCB15312
<input checked="" type="checkbox"/> Red	12V AC/DC	MCB15412
<input checked="" type="checkbox"/> Amber	12V AC/DC	MCB15512
<input checked="" type="checkbox"/> Blue	12V AC/DC	MCB15612
<input checked="" type="checkbox"/> Yellow	12V AC/DC	MCB15812

### LED Bulbs

Color	Voltage	Cat No.	Color	Voltage	Cat No.
<input type="checkbox"/> White	110V AC	MCB151110	<input type="checkbox"/> White	230V AC	MCB151230
<input checked="" type="checkbox"/> Green	110V AC	MCB153110	<input checked="" type="checkbox"/> Green	230V AC	MCB153230
<input checked="" type="checkbox"/> Red	110V AC	MCB154110	<input checked="" type="checkbox"/> Red	230V AC	MCB154230
<input checked="" type="checkbox"/> Amber	110V AC	MCB155110	<input checked="" type="checkbox"/> Amber	230V AC	MCB155230
<input checked="" type="checkbox"/> Blue	110V AC	MCB156110	<input checked="" type="checkbox"/> Blue	230V AC	MCB156230
<input checked="" type="checkbox"/> Yellow	110V AC	MCB158110	<input checked="" type="checkbox"/> Yellow	230V AC	MCB158230
<input type="checkbox"/> White	110V DC	MCB151110D	<input type="checkbox"/> White	230V DC	MCB151230D
<input checked="" type="checkbox"/> Green	110V DC	MCB153110D	<input checked="" type="checkbox"/> Green	230V DC	MCB153230D
<input checked="" type="checkbox"/> Red	110V DC	MCB154110D	<input checked="" type="checkbox"/> Red	230V DC	MCB154230D
<input checked="" type="checkbox"/> Amber	110V DC	MCB155110D	<input checked="" type="checkbox"/> Amber	230V DC	MCB155230D
<input checked="" type="checkbox"/> Blue	110V DC	MCB156110D	<input checked="" type="checkbox"/> Blue	230V DC	MCB156230D
<input checked="" type="checkbox"/> Yellow	110V DC	MCB158110D	<input checked="" type="checkbox"/> Yellow	230V DC	MCB158230D
<input type="checkbox"/> White	24V AC/DC	MCB15124	<input type="checkbox"/> White	48V AC/DC	MCB15148
<input checked="" type="checkbox"/> Green	24V AC/DC	MCB15324	<input checked="" type="checkbox"/> Green	48V AC/DC	MCB15348
<input checked="" type="checkbox"/> Red	24V AC/DC	MCB15424	<input checked="" type="checkbox"/> Red	48V AC/DC	MCB15448
<input checked="" type="checkbox"/> Amber	24V AC/DC	MCB15524	<input checked="" type="checkbox"/> Amber	48V AC/DC	MCB15548
<input checked="" type="checkbox"/> Blue	24V AC/DC	MCB15624	<input checked="" type="checkbox"/> Blue	48V AC/DC	MCB15648
<input checked="" type="checkbox"/> Yellow	24V AC/DC	MCB15824	<input checked="" type="checkbox"/> Yellow	48V AC/DC	MCB15848

## Maximum Power Consumption:

Supply Voltage	LED		FILAMENT BULBS	
	Power (max) in Watts	Current	Power (max) in Watts	Current
12V	0.5W	max 20mA	2W	max 166mA
24V	0.5W	max 20mA	2W	max 85mA
48V	0.5W	max 20mA	5W	max 105mA
110V	0.5W	max 20mA	5W	max 45mA
240V	1W	max 20mA	6W	max 25mA

These bulbs are available in various colors and voltages. LED based bulbs are a direct replacement for filament bulbs and do not require having to change any other components in your existing operator or pilot light.

These bulbs use high brightness LED chips which last for more than 100,000 hours and consume very little power. Heat generated by LED based bulbs is negligible, therefore no damage to the body of the lamp or any operator in case of illuminated push buttons occurs.

These bulbs can be used to replace 12V AC/DC, 24V AC/DC, 48V AC/DC, 110V AC or DC and 240V AC or DC circuits directly. LED color indication is given on the bulb for easy identification.

## 30mm Push Button Accessories

Please visit [altechcorp.com/pb](http://altechcorp.com/pb) for other available legend plates.

### Lenses and Replacement Boots

Lenses for pilot lights



	Color	Cat No.	Cat No. w/ bushing
<input type="checkbox"/>	White	PLL1	—
<input checked="" type="checkbox"/>	Green	PLL3	PLLA3
<input checked="" type="checkbox"/>	Red	PLL4	PLLA4
<input checked="" type="checkbox"/>	Amber	PLL5	—
<input checked="" type="checkbox"/>	Blue	PLL6	—
<input type="checkbox"/>	Clear	PLL7	—
<input checked="" type="checkbox"/>	Yellow	PLL8	—

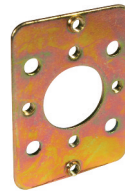
Lenses for illuminated actuators

	Color	Cat No.
<input type="checkbox"/>	White	ALL1
<input checked="" type="checkbox"/>	Green	ALL3
<input checked="" type="checkbox"/>	Red	ALL4
<input checked="" type="checkbox"/>	Amber	ALL5
<input checked="" type="checkbox"/>	Blue	ALL6
<input type="checkbox"/>	Clear	ALL7
<input checked="" type="checkbox"/>	Yellow	ALL8



### Padlock

For mushroom actuator: Cat. No. PAM  
For projecting actuator: Cat. No. PAP



### Actuator Lock Plate

Cat. No.: ALP101

### Rubber Boots for Booted Actuators



	Color	Cat No.
<input type="checkbox"/>	White	BT1
<input checked="" type="checkbox"/>	Black	BT2
<input checked="" type="checkbox"/>	Green	BT3
<input checked="" type="checkbox"/>	Red	BT4
<input checked="" type="checkbox"/>	Blue	BT6
<input checked="" type="checkbox"/>	Yellow	BT8



### 1.2mm Actuator Rubber Washer

Cat. No.: ARW1.2

### 3.2mm Actuator Rubber Washer

Cat. No.: ARW3.2



### Replacement Key

Cat. No.: KY30



### Bulb Extractor

Cat. No.: 2BA9SE

### Contact Block Installation Screws



Cat #.	Dimensions	Used With
SC25	M4 x 25 mm	S11 only
SC45	M4 x 45 mm	S11 + S12 (2NO + 2NC)
SC65	M4 x 65 mm	2 x S11 + S12 (3NO + 3NC)
SC90	M4 x 90 mm	2 x S11 + 2 x S12 (4NO+4NC)

## Contact Elements

### Description

1 Normally Open + 1 Normally Closed  
Silver Contacts

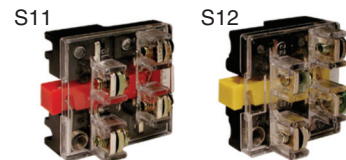
### Cat. No.

S11

2 Normally Open + 2 Normally Closed  
Silver Contacts

S11 + S12

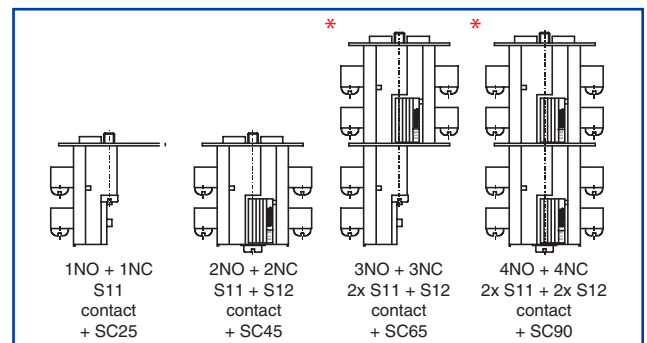
For additional contacts, see diagram at right.



### Contact Installation Screws

Type	Dimensions	Used with
SC25	M4 x 25 mm	S11
SC45	M4 x 45 mm	S11 + S12
SC65	M4 x 65 mm	2x S11 + S12
SC90	M4 x 90 mm	2x S11 + 2x S12

\* When using more than two contact blocks, additional screws must be purchased separately (SC45 and SC90).



## 30mm Technical Notes

### Characteristics

#### Environment

Temperature Range	-25°C to +70°C (-13°F to +158°F)	
Degree of protection:	IEC 529 UL50	IP65 NEMA Type 4X, 12
Mechanical Life	All push buttons except maintained mushroom maintained mushroom	1 million of cycles  0.3 million of cycles

#### Mechanical Characteristics of contact elements

Contact Operation	NO+NC	Double break, self-wiping
Rated Insulation Voltage	500 V AC	
Operating Travel	Push buttons	Changing NC state 2.4mm Changing NO state 4.3mm Travel 8.7mm
Terminal Capacity	Wiring	2x1.5 sq.mm (2x16 AWG) or 1x2.5 sq.mm (14 AWG)
Contact Material	Bimetal (Cu/Ag)	Standard single element
Short Circuit Protection	10A HRC fuse	
Rated Make Break	UL508, AC: A600; 600V, 1.2A DC: Q600; 600V, 0.1A	standard block with screw clamp terminals 415V AC, 4A standard block with screw clamp terminals 220V AC, 0.5A
Dielectric Strength	Push Buttons, Pilot Lights	2500V for 1 minute

Cat. No.	Page	Cat. No.	Page	Cat. No.	Page	Cat. No.	Page
1.01E+16	53	2ALF3LB-230D	22	2ALMPP1LB-230	13	2AM4	8
1.01E+16	53	2ALF4LB-012	22	2ALMPP3LB-012	13	2AM6	8
2.01E+16	36	2ALF4LB-024	22	2ALMPP3LB-024	13	2AM8	8
2.01E+16	37	2ALF4LB-048	22	2ALMPP3LB-048	13	2AMJ1	8
2.01E+16	36	2ALF4LB-110	22	2ALMPP3LB-110	13	2AMJ2	8
2.01E+16	37	2ALF4LB-110D	22	2ALMPP3LB-230	13	2AMJ3	8
1003A13	53	2ALF4LB-230	22	2ALMPP4LB-012	13	2AMJ4	8
1004C13	53	2ALF4LB-230D	22	2ALMPP4LB-024	13	2AMJ6	8
1004G13	53	2ALF5LB-012	22	2ALMPP4LB-048	13	2AMJ8	8
1005A13	53	2ALF5LB-024	22	2ALMPP4LB-110	13	2AML1	10
1006C13	53	2ALF5LB-048	22	2ALMPP4LB-230	13	2AML2	10
1006G13	53	2ALF5LB-110	22	2ALMPP5LB-012	13	2AML3	10
153-601	34	2ALF5LB-110D	22	2ALMPP5LB-024	13	2AML4	10
153-601/L	34	2ALF5LB-230	22	2ALMPP5LB-048	13	2AML4	31
153-901	34	2ALF5LB-230D	22	2ALMPP5LB-110	13	2AML6	10
153-901/L	34	2ALF6LB-012	22	2ALMPP5LB-230	13	2AML8	10
153-902	34	2ALF6LB-024	22	2ALMPP6LB-012	13	2AMLJ1	10
153-902/1H	34	2ALF6LB-048	22	2ALMPP6LB-024	13	2AMLJ2	10
153-902/L	34	2ALF6LB-110	22	2ALMPP6LB-048	13	2AMLJ3	10
153-903	34	2ALF6LB-110D	22	2ALMPP6LB-110	13	2AMLJ4	10
153-903/L	34	2ALF6LB-230	22	2ALMPP6LB-230	13	2AMLJ6	10
153-904	34	2ALF6LB-230D	22	2ALMPP7LB-012	13	2AMLJ8	10
153-904/L	34	2ALF7LB-012	22	2ALMPP7LB-024	13	2AMLKB1	10
153-905	34	2ALF7LB-024	22	2ALMPP7LB-048	13	2AMLKB2	10
153-905/L	34	2ALF7LB-048	22	2ALMPP7LB-110	13	2AMLKB3	10
2005A13	36	2ALF7LB-110	22	2ALMPP7LB-230	13	2AMLKB4	10
2005G13	37	2ALF7LB-110D	22	2ALMPP8LB-012	13	2AMLKB6	10
2006C13	36	2ALF7LB-230	22	2ALMPP8LB-024	13	2AMLKB8	10
2008G13	36	2ALF7LB-230D	22	2ALMPP8LB-048	13	2AMLS1	10
2009A13	37	2ALF8LB-012	22	2ALMPP8LB-110	13	2AMLS2	10
2009G13	37	2ALF8LB-024	22	2ALMPP8LB-230	13	2AMLS3	10
2010G13	36	2ALF8LB-048	22	2ALP1LB-012	20	2AMLS4	10
2011C13	37	2ALF8LB-110	22	2ALP1LB-024	20	2AMLS4	31
2014C13	36	2ALF8LB-110D	22	2ALP1LB-048	20	2AMLS6	10
2015A13	36	2ALF8LB-230	22	2ALP1LB-110D	20	2AMLS8	10
2015C13	37	2ALF8LB-230D	22	2ALP1LB-230	20	2AMPP1	8
2016A13	37	2ALM1L	39	2ALP1LB-230D	20	2AMPP2	8
2AB1	6	2ALM3L	39	2ALP3LB-012	20	2AMPP3	8
2AB2	6	2ALM4L	39	2ALP3LB-024	20	2AMPP4	8
2AB3	6	2ALM5L	39	2ALP3LB-048	20	2AMPP4	31
2AB4	6	2ALM6L	39	2ALP3LB-110	20	2AMPP6	8
2AB6	6	2ALM7L	39	2ALP3LB-110D	20	2AMPP8	8
2AB8	6	2ALM8L	39	2ALP3LB-230	20	2AMPPJ1	8
2ADP	40	2ALM1LB-012	12	2ALP3LB-230D	20	2AMPPJ2	8
2AF1	6	2ALM1LB-024	12	2ALP4LB-012	20	2AMPPJ3	8
2AF1RH	6	2ALM1LB-048	12	2ALP4LB-024	20	2AMPPJ4	8
2AF2	6	2ALM1LB-110	12	2ALP4LB-048	20	2AMPPJ6	8
2AF2RH	6	2ALM1LB-230	12	2ALP4LB-110	20	2AMPPJ8	8
2AF3	6	2ALM3LB-012	12	2ALP4LB-110D	20	2AP1	6
2AF3RH	6	2ALM3LB-024	12	2ALP4LB-230	20	2AP2	6
2AF4	6	2ALM3LB-048	12	2ALP4LB-230D	20	2AP3	6
2AF4RH	6	2ALM3LB-110	12	2ALP5LB-012	20	2AP4	6
2AF6	6	2ALM3LB-230	12	2ALP5LB-024	20	2AP6	6
2AF6RH	6	2ALM4LB-012	12	2ALP5LB-048	20	2AP8	6
2AF8	6	2ALM4LB-024	12	2ALP5LB-110	20	2AS2-1	16
2AF8RH	6	2ALM4LB-048	12	2ALP5LB-110D	20	2AS2-2	16
2AK2-01	16	2ALM4LB-110	12	2ALP5LB-230	20	2AS2-3	16
2AK2-02	16	2ALM4LB-230	12	2ALP5LB-230D	20	2AS2-4	16
2AK2-03	16	2ALM5LB-012	12	2ALP6LB-012	20	2AS2-5	16
2AK2-04	16	2ALM5LB-024	12	2ALP6LB-024	20	2AS2-6	16
2AK2-05	16	2ALM5LB-048	12	2ALP6LB-048	20	2AS2E-1	16
2AK2-06	16	2ALM5LB-110	12	2ALP6LB-110	20	2AS2E-2	16
2AK2-07	16	2ALM5LB-230	12	2ALP6LB-110D	20	2AS2E-3	16
2AK2-08	16	2ALM6LB-012	12	2ALP6LB-230	20	2AS2E-4	16
2AK2-09	16	2ALM6LB-024	12	2ALP6LB-230D	20	2AS2E-5	16
2AK2-10	16	2ALM6LB-048	12	2ALP7LB-012	20	2AS2E-6	16
2AK2-11	16	2ALM6LB-110	12	2ALP7LB-024	20	2ASL1LB-1-012	18
2ALBT7	31	2ALM6LB-230	12	2ALP7LB-048	20	2ASL1LB-1-024	18
2ALBT7	40	2ALM7LB-012	12	2ALP7LB-110	20	2ASL1LB-1-048	18
2ALF1LB-012	22	2ALM7LB-024	12	2ALP7LB-110D	20	2ASL1LB-1-110	18
2ALF1LB-024	22	2ALM7LB-048	12	2ALP7LB-230	20	2ASL1LB-1-110D	18
2ALF1LB-048	22	2ALM7LB-110	12	2ALP7LB-230D	20	2ASL1LB-1-230	18
2ALF1LB-110	22	2ALM7LB-230	12	2ALP8LB-012	20	2ASL1LB-1-230D	18
2ALF1LB-110D	22	2ALM8LB-012	12	2ALP8LB-024	20	2ASL1LB-2-012	18
2ALF1LB-230	22	2ALM8LB-024	12	2ALP8LB-048	20	2ASL1LB-2-024	18
2ALF1LB-230D	22	2ALM8LB-048	12	2ALP8LB-110	20	2ASL1LB-2-048	18
2ALF3LB-012	22	2ALM8LB-110	12	2ALP8LB-110D	20	2ASL1LB-2-110	18
2ALF3LB-024	22	2ALM8LB-230	12	2ALP8LB-230	20	2ASL1LB-2-110D	18
2ALF3LB-048	22	2ALMPP1LB-012	13	2ALP8LB-230D	20	2ASL1LB-2-230	18
2ALF3LB-110	22	2ALMPP1LB-024	13	2AM1	8	2ASL1LB-2-230D	18
2ALF3LB-110D	22	2ALMPP1LB-048	13	2AM2	8	2ASL1LB-3-012	18
2ALF3LB-230	22	2ALMPP1LB-110	13	2AM3	8	2ASL1LB-3-024	18



# Index

Cat. No.	Page	Cat. No.	Page	Cat. No.	Page	Cat. No.	Page
2ASL1LB-3-048	18	2ASL4LB-3-012	18	2ASL6LB-2-230	18	2ASL8LB-2-110	18
2ASL1LB-3-110	18	2ASL4LB-3-024	18	2ASL6LB-2-230D	18	2ASL8LB-2-110D	18
2ASL1LB-3-110D	18	2ASL4LB-3-048	18	2ASL6LB-3-012	18	2ASL8LB-2-230	18
2ASL1LB-3-230	18	2ASL4LB-3-110	18	2ASL6LB-3-024	18	2ASL8LB-2-230D	18
2ASL1LB-3-230D	18	2ASL4LB-3-110D	18	2ASL6LB-3-048	18	2ASL8LB-3-012	18
2ASL1LB-4-012	18	2ASL4LB-3-230	18	2ASL6LB-3-110	18	2ASL8LB-3-024	18
2ASL1LB-4-024	18	2ASL4LB-3-230D	18	2ASL6LB-3-110D	18	2ASL8LB-3-048	18
2ASL1LB-4-048	18	2ASL4LB-4-012	18	2ASL6LB-3-230	18	2ASL8LB-3-110	18
2ASL1LB-4-110	18	2ASL4LB-4-024	18	2ASL6LB-3-230D	18	2ASL8LB-3-110D	18
2ASL1LB-4-110D	18	2ASL4LB-4-048	18	2ASL6LB-4-012	18	2ASL8LB-3-230	18
2ASL1LB-4-230	18	2ASL4LB-4-110	18	2ASL6LB-4-024	18	2ASL8LB-3-230D	18
2ASL1LB-4-230D	18	2ASL4LB-4-110D	18	2ASL6LB-4-048	18	2ASL8LB-4-012	18
2ASL1LB-5-012	18	2ASL4LB-4-230	18	2ASL6LB-4-110	18	2ASL8LB-4-024	18
2ASL1LB-5-024	18	2ASL4LB-4-230D	18	2ASL6LB-4-110D	18	2ASL8LB-4-048	18
2ASL1LB-5-048	18	2ASL4LB-5-012	18	2ASL6LB-4-230	18	2ASL8LB-4-110	18
2ASL1LB-5-110	18	2ASL4LB-5-024	18	2ASL6LB-4-230D	18	2ASL8LB-4-110D	18
2ASL1LB-5-110D	18	2ASL4LB-5-048	18	2ASL6LB-5-012	18	2ASL8LB-4-230	18
2ASL1LB-5-230	18	2ASL4LB-5-110	18	2ASL6LB-5-024	18	2ASL8LB-4-230D	18
2ASL1LB-5-230D	18	2ASL4LB-5-110D	18	2ASL6LB-5-048	18	2ASL8LB-5-012	18
2ASL1LB-6-012	18	2ASL4LB-5-230	18	2ASL6LB-5-110	18	2ASL8LB-5-024	18
2ASL1LB-6-024	18	2ASL4LB-5-230D	18	2ASL6LB-5-110D	18	2ASL8LB-5-048	18
2ASL1LB-6-048	18	2ASL4LB-6-012	18	2ASL6LB-5-230	18	2ASL8LB-5-110	18
2ASL1LB-6-110	18	2ASL4LB-6-024	18	2ASL6LB-5-230D	18	2ASL8LB-5-110D	18
2ASL1LB-6-110D	18	2ASL4LB-6-048	18	2ASL6LB-6-012	18	2ASL8LB-5-230	18
2ASL1LB-6-230	18	2ASL4LB-6-110	18	2ASL6LB-6-024	18	2ASL8LB-5-230D	18
2ASL1LB-6-230D	18	2ASL4LB-6-110D	18	2ASL6LB-6-048	18	2ASL8LB-6-012	18
2ASL3LB-1-012	18	2ASL4LB-6-230	18	2ASL6LB-6-110	18	2ASL8LB-6-024	18
2ASL3LB-1-024	18	2ASL4LB-6-230D	18	2ASL6LB-6-110D	18	2ASL8LB-6-048	18
2ASL3LB-1-048	18	2ASL5LB-1-012	18	2ASL6LB-6-230	18	2ASL8LB-6-110	18
2ASL3LB-1-110	18	2ASL5LB-1-024	18	2ASL6LB-6-230D	18	2ASL8LB-6-110D	18
2ASL3LB-1-110D	18	2ASL5LB-1-048	18	2ASL7LB-1-012	18	2ASL8LB-6-230	18
2ASL3LB-1-230	18	2ASL5LB-1-110	18	2ASL7LB-1-024	18	2ASL8LB-6-230D	18
2ASL3LB-1-230D	18	2ASL5LB-1-110D	18	2ASL7LB-1-048	18	2ATBT7	40
2ASL3LB-2-012	18	2ASL5LB-1-230	18	2ASL7LB-1-110	18	2ATF1-P2	14
2ASL3LB-2-024	18	2ASL5LB-1-230D	18	2ASL7LB-1-110D	18	2ATF1-P2-IO	14
2ASL3LB-2-048	18	2ASL5LB-2-012	18	2ASL7LB-1-230	18	2ATF2-F1	14
2ASL3LB-2-110	18	2ASL5LB-2-024	18	2ASL7LB-1-230D	18	2ATF2-F1-IO	14
2ASL3LB-2-110D	18	2ASL5LB-2-048	18	2ASL7LB-2-012	18	2ATF3-F4	14
2ASL3LB-2-230	18	2ASL5LB-2-110	18	2ASL7LB-2-024	18	2ATF3-F4-IO	14
2ASL3LB-2-230D	18	2ASL5LB-2-110D	18	2ASL7LB-2-048	18	2ATF3-P4	14
2ASL3LB-3-012	18	2ASL5LB-2-230	18	2ASL7LB-2-110	18	2ATF3-P4-IO	14
2ASL3LB-3-024	18	2ASL5LB-2-230D	18	2ASL7LB-2-110D	18	2ATF8-F2	14
2ASL3LB-3-048	18	2ASL5LB-3-012	18	2ASL7LB-2-230	18	2ATF8-F2-IO	14
2ASL3LB-3-110	18	2ASL5LB-3-024	18	2ASL7LB-2-230D	18	2ATF8-P2	14
2ASL3LB-3-110D	18	2ASL5LB-3-048	18	2ASL7LB-3-012	18	2ATF8-P2-IO	14
2ASL3LB-3-230	18	2ASL5LB-3-110	18	2ASL7LB-3-024	18	2ATL5LB F2F1-IO-012	15
2ASL3LB-3-230D	18	2ASL5LB-3-110D	18	2ASL7LB-3-048	18	2ATL5LB F2F1-IO-024	15
2ASL3LB-4-012	18	2ASL5LB-3-230	18	2ASL7LB-3-110	18	2ATL5LB F2F1-IO-048	15
2ASL3LB-4-024	18	2ASL5LB-3-230D	18	2ASL7LB-3-110D	18	2ATL5LB F2F1-IO-110	15
2ASL3LB-4-048	18	2ASL5LB-4-012	18	2ASL7LB-3-230	18	2ATL5LB F2F1-IO-230	15
2ASL3LB-4-110	18	2ASL5LB-4-024	18	2ASL7LB-3-230D	18	2ATL5LB F3F4-012	15
2ASL3LB-4-110D	18	2ASL5LB-4-048	18	2ASL7LB-4-012	18	2ATL5LB F3F4-024	15
2ASL3LB-4-230	18	2ASL5LB-4-110	18	2ASL7LB-4-024	18	2ATL5LB F3F4-048	15
2ASL3LB-4-230D	18	2ASL5LB-4-110D	18	2ASL7LB-4-048	18	2ATL5LB F3F4-110	15
2ASL3LB-5-012	18	2ASL5LB-4-230	18	2ASL7LB-4-110	18	2ATL5LB F3F4-230	15
2ASL3LB-5-024	18	2ASL5LB-4-230D	18	2ASL7LB-4-110D	18	2ATL5LB F3F4-IO-012	15
2ASL3LB-5-048	18	2ASL5LB-5-012	18	2ASL7LB-4-230	18	2ATL5LB F3F4-IO-024	15
2ASL3LB-5-110	18	2ASL5LB-5-024	18	2ASL7LB-4-230D	18	2ATL5LB F3F4-IO-048	15
2ASL3LB-5-110D	18	2ASL5LB-5-048	18	2ASL7LB-5-012	18	2ATL5LB F3F4-IO-110	15
2ASL3LB-5-230	18	2ASL5LB-5-110	18	2ASL7LB-5-024	18	2ATL5LB F3F4-IO-230	15
2ASL3LB-5-230D	18	2ASL5LB-5-110D	18	2ASL7LB-5-048	18	2ATL5LB F3P4-012	15
2ASL3LB-6-012	18	2ASL5LB-5-230	18	2ASL7LB-5-110	18	2ATL5LB F3P4-024	15
2ASL3LB-6-024	18	2ASL5LB-5-230D	18	2ASL7LB-5-110D	18	2ATL5LB F3P4-048	15
2ASL3LB-6-048	18	2ASL5LB-6-012	18	2ASL7LB-5-230	18	2ATL5LB F3P4-110	15
2ASL3LB-6-110	18	2ASL5LB-6-024	18	2ASL7LB-5-230D	18	2ATL5LB F3P4-230	15
2ASL3LB-6-110D	18	2ASL5LB-6-048	18	2ASL7LB-6-012	18	2ATL5LB F3P4-IO-012	15
2ASL3LB-6-230	18	2ASL5LB-6-110	18	2ASL7LB-6-024	18	2ATL5LB F3P4-IO-024	15
2ASL3LB-6-230D	18	2ASL5LB-6-110D	18	2ASL7LB-6-048	18	2ATL5LB F3P4-IO-048	15
2ASL4LB-1-012	18	2ASL5LB-6-230	18	2ASL7LB-6-110	18	2ATL5LB F3P4-IO-110	15
2ASL4LB-1-024	18	2ASL5LB-6-230D	18	2ASL7LB-6-110D	18	2ATL5LB F3P4-IO-230	15
2ASL4LB-1-048	18	2ASL6LB-1-012	18	2ASL7LB-6-230	18	2ATLBT7	40
2ASL4LB-1-110	18	2ASL6LB-1-024	18	2ASL7LB-6-230D	18	2BA9SE	40
2ASL4LB-1-110D	18	2ASL6LB-1-048	18	2ASL8LB-1-012	18	2BA9SE	55
2ASL4LB-1-230	18	2ASL6LB-1-110	18	2ASL8LB-1-024	18	2BP2	40
2ASL4LB-1-230D	18	2ASL6LB-1-110D	18	2ASL8LB-1-048	18	2BRK	40
2ASL4LB-2-012	18	2ASL6LB-1-230	18	2ASL8LB-1-110	18	2BRKT	40
2ASL4LB-2-024	18	2ASL6LB-1-230D	18	2ASL8LB-1-110D	18	2BT1	39
2ASL4LB-2-048	18	2ASL6LB-2-012	18	2ASL8LB-1-230	18	2BT2	39
2ASL4LB-2-110	18	2ASL6LB-2-024	18	2ASL8LB-1-230D	18	2BT3	39
2ASL4LB-2-110D	18	2ASL6LB-2-048	18	2ASL8LB-2-012	18	2BT4	39
2ASL4LB-2-230	18	2ASL6LB-2-110	18	2ASL8LB-2-024	18	2BT6	39
2ASL4LB-2-230D	18	2ASL6LB-2-110D	18	2ASL8LB-2-048	18	2BT7	31

Cat. No.	Page	Cat. No.	Page	Cat. No.	Page	Cat. No.	Page
2BT7	39	2LP30SP	38	2PLB7LB-024	24	3PLBR8L-012	28
2BT7	40	2LP31	38	2PLB7LB-048	24	3PLBR8L-024	28
2BT8	39	2LP31SP	38	2PLB7LB-110	24	3PLBR8L-048	28
2ESS1	40	2LP32	38	2PLB7LB-110D	24	3PLBR8L-110	28
2ESS1-UL	40	2LP32SP	38	2PLB7LB-230	24	3PLBR8L-230	28
2KY30	48	2LP33	38	2PLB7LB-230D	24	3PRG1	31
2KY455	10	2LP33SP	38	2PLB8LB-012	24	3PSF101	26
2KY455	16	2LP34	38	2PLB8LB-024	24	3PSF102	26
2KY455	40	2LP35	38	2PLB8LB-048	24	3PSF110	26
2LAL1	39	2LP36	38	2PLB8LB-110	24	3PSF111	26
2LAL1L	39	2LP36	38	2PLB8LB-110D	24	3PSF120	26
2LAL3	39	2LP36SP	38	2PLB8LB-230	24	3PSF201	26
2LAL3L	39	2LP37	38	2PLB8LB-230D	24	3PSF202	26
2LAL4	39	2LP37SP	38	2PLL1	39	3PSF210	26
2LAL4L	39	2LP38	38	2PLL1L	39	3PSF211	26
2LAL5	39	2LP38SP	38	2PLL3	39	3PSF220	26
2LAL5L	39	2LP39	38	2PLL3L	39	3PSF301	26
2LAL6	39	2LP40	38	2PLL4	39	3PSF302	26
2LAL6L	39	2LP41	38	2PLL4L	39	3PSF310	26
2LAL7	39	2LP41SP	38	2PLL5	39	3PSF311	26
2LAL7L	39	2LP42	38	2PLL5L	39	3PSF320	26
2LAL8	39	2LP43	38	2PLL6	39	3PSF401	26
2LAL8L	39	2LP44	38	2PLL6L	39	3PSF402	26
2LHB	40	2LP45	38	2PLL7	39	3PSF410	26
2LP01	38	2LP46	38	2PLL7L	39	3PSF411	26
2LP01SP	38	2LP47	38	2PLL8	39	3PSF420	26
2LP02	38	2LP48	38	2PLL8L	39	3PSF601	26
2LP02SP	38	2LP49	38	2PPM	40	3PSF602	26
2LP03	38	2LP50	38	2PRG1	31	3PSF610	26
2LP03SP	38	2LP51	38	2PRG1	40	3PSF611	26
2LP04	38	2LP55	38	2PV2X	30	3PSF620	26
2LP04SP	38	2LP56	38	2PV3X	30	3PSF801	26
2LP05	38	2LP57	38	2PV4X	30	3PSF802	26
2LP05SP	38	2LP58	38	2PV5X	30	3PSF810	26
2LP06	38	2LP59	38	2PV6X	30	3PSF811	26
2LP06SP	38	2LP66	38	2PV7X	30	3PSF820	26
2LP07	38	2LP69	38	2PV8X	30	3PSFPP101	26
2LP07SP	38	2LP70	38	2PV9X	30	3PSFPP110	26
2LP08	38	2LP71	38	2RLW	31	3PSFPP111	26
2LP08SP	38	2LP72	38	2SEBT2	40	3PSFPP201	26
2LP09	38	2LP73	38	3-001-Q-11	30	3PSFPP210	26
2LP10	38	2LP74	38	3-001-R-11	30	3PSFPP211	26
2LP101	38	2LPXX	38	3PLBR1L-012	28	3PSFPP301	26
2LP102	38	2PAM	40	3PLBR1L-024	28	3PSFPP310	26
2LP103	38	2PAM7	40	3PLBR1L-048	28	3PSFPP311	26
2LP104	38	2PAP	40	3PLBR1L-110	28	3PSFPP401	26
2LP105	38	2PLB1LB-012	24	3PLBR1L-230	28	3PSFPP410	26
2LP106	38	2PLB1LB-024	24	3PLBR1LS-012	28	3PSFPP411	26
2LP107	38	2PLB1LB-048	24	3PLBR1LS-024	28	3PSFPP601	26
2LP108	38	2PLB1LB-110	24	3PLBR1LS-048	28	3PSFPP610	26
2LP10SP	38	2PLB1LB-110D	24	3PLBR1LS-110	28	3PSFPP611	26
2LP11	38	2PLB1LB-230	24	3PLBR1LS-230	28	3PSFPP801	26
2LP12	38	2PLB1LB-230D	24	3PLBR3L-012	28	3PSFPP810	26
2LP12SP	38	2PLB3LB-012	24	3PLBR3L-024	28	3PSFPP811	26
2LP13	38	2PLB3LB-024	24	3PLBR3L-048	28	3PSPP102	26
2LP13SP	38	2PLB3LB-048	24	3PLBR3L-110	28	3PSPP120	26
2LP14	38	2PLB3LB-110	24	3PLBR3L-230	28	3PSPP202	26
2LP14SP	38	2PLB3LB-110D	24	3PLBR4L-012	28	3PSPP220	26
2LP15	38	2PLB3LB-230	24	3PLBR4L-024	28	3PSPP302	26
2LP15SP	38	2PLB3LB-230D	24	3PLBR4L-048	28	3PSPP320	26
2LP16	38	2PLB4LB-012	24	3PLBR4L-110	28	3PSPP402	26
2LP16SP	38	2PLB4LB-024	24	3PLBR4L-230	28	3PSPP420	26
2LP17	38	2PLB4LB-048	24	3PLBR5L-012	28	3PSPP602	26
2LP17SP	38	2PLB4LB-110	24	3PLBR5L-024	28	3PSPP620	26
2LP18	38	2PLB4LB-110D	24	3PLBR5L-048	28	3PSPP802	26
2LP18SP	38	2PLB4LB-230	24	3PLBR5L-110	28	3PSPP820	26
2LP19	38	2PLB4LB-230D	24	3PLBR5L-230	28	4-001-Q-10	30
2LP19SP	38	2PLB5LB-012	24	3PLBR6L-012	28	4-001-R-10	30
2LP20	38	2PLB5LB-024	24	3PLBR6L-024	28	5308 959	34
2LP20SP	38	2PLB5LB-048	24	3PLBR6L-048	28	7211 981	34
2LP21	38	2PLB5LB-110	24	3PLBR6L-110	28	AB1	44
2LP22	38	2PLB5LB-110D	24	3PLBR6L-230	28	AB2	44
2LP23	38	2PLB5LB-230	24	3PLBR7L-012	28	AB3	44
2LP24	38	2PLB5LB-230D	24	3PLBR7L-024	28	AB4	44
2LP25	38	2PLB6LB-012	24	3PLBR7L-048	28	AB6	44
2LP26	38	2PLB6LB-024	24	3PLBR7L-110	28	AB8	44
2LP27	38	2PLB6LB-048	24	3PLBR7L-230	28	ADW	40
2LP28	38	2PLB6LB-110	24	3PLBR7LS-012	28	AF1	44
2LP28SP	38	2PLB6LB-110D	24	3PLBR7LS-024	28	AF2	44
2LP29	38	2PLB6LB-230	24	3PLBR7LS-048	28	AF3	44
2LP29SP	38	2PLB6LB-230D	24	3PLBR7LS-110	28	AF4	44
2LP30	38	2PLB7LB-012	24	3PLBR7LS-230	28	AF6	44

# Index

Cat. No.	Page	Cat. No.	Page	Cat. No.	Page	Cat. No.	Page
AF8	44	AML4	50	MCB156110	54	PLB1LB-230	52
AK2-2PB	48	AMLKB2	50	MCB156110D	54	PLB3-024	52
AK2-2PI	48	AMLKB4	50	MCB15612	54	PLB3-048	52
AK2-2PO	48	AP1	44	MCB156230	54	PLB3-110	52
AK2-2PO-KD	48	AP2	44	MCB156230D	54	PLB3-230	52
AK2-2PO-KD1	48	AP3	44	MCB15624	54	PLB3LB-024	52
AK2-2PO-KD2	48	AP4	44	MCB15648	54	PLB3LB-048	52
AK2-2PO-KD4	48	AP6	44	MCB158110	54	PLB3LB-110	52
AK2-2PO-KD5	48	AP8	44	MCB158110D	54	PLB3LB-230	52
AK2-2POS	48	ARW1.2	55	MCB15812	54	PLB4-024	52
AK2-3PB	48	AS2-2P	48	MCB158230	54	PLB4-048	52
AK2-3PC	48	AS2-2PSR	48	MCB158230D	54	PLB4-110	52
AK2-3PC-KD	48	AS2-3P	48	MCB15824	54	PLB4-230	52
AK2-3PC-KD1	48	BA15D110	54	MCB15848	54	PLB4LB-024	52
AK2-3PC-KD2	48	BA15D12	54	MCB91110	39	PLB4LB-048	52
AK2-3PC-KD3	48	BA15D220	54	MCB91110D	39	PLB4LB-110	52
ALF1-024	46	BA15D24	54	MCB9112	39	PLB4LB-230	52
ALF1-048	46	BA15D48	54	MCB91230	39	PLB5-024	52
ALF1-110	46	BA9SD110	39	MCB91230D	39	PLB5-048	52
ALF1-230	46	BA9SD12	39	MCB9124	39	PLB5-110	52
ALF1LB-024	46	BA9SD220	39	MCB9148	39	PLB5-230	52
ALF1LB-048	46	BA9SD24	39	MCB93110	39	PLB5LB-024	52
ALF1LB-110	46	BA9SD48	39	MCB93110D	39	PLB5LB-048	52
ALF1LB-230	46	BT1	55	MCB94110	39	PLB5LB-110	52
ALF3-024	46	BT2	55	MCB94110D	39	PLB5LB-230	52
ALF3-048	46	BT3	55	MCB9412	39	PLB6-024	52
ALF3-110	46	BT4	55	MCB94230	39	PLB6-048	52
ALF3-230	46	BT6	55	MCB94230D	39	PLB6-110	52
ALF3LB-024	46	BT8	55	MCB9424	39	PLB6-230	52
ALF3LB-048	46	KY30	55	MCB9448	39	PLB6LB-024	52
ALF3LB-110	46	LP01	54	MCB95110	39	PLB6LB-048	52
ALF3LB-230	46	LP02	54	MCB95110D	39	PLB6LB-110	52
ALF4-024	46	LP04	54	MCB9512	39	PLB6LB-230	52
ALF4-048	46	LP07	54	MCB95230	39	PLB7-024	52
ALF4-110	46	LP07	54	MCB95230D	39	PLB7-048	52
ALF4-230	46	LP08	54	MCB9524	39	PLB7-110	52
ALF4LB-024	46	LP09	54	MCB9548	39	PLB7-230	52
ALF4LB-048	46	LP10	54	MCB96110	39	PLB7LB-024	52
ALF4LB-110	46	LP108	54	MCB96110D	39	PLB7LB-048	52
ALF4LB-230	46	LP11	54	MCB9612	39	PLB7LB-110	52
ALF5-024	46	LP12	54	MCB96230	39	PLB7LB-230	52
ALF5-048	46	LP13	54	MCB96230D	39	PLB8-024	52
ALF5-110	46	LP14	54	MCB9624	39	PLB8-048	52
ALF5-230	46	LP15	54	MCB9648	39	PLB8-110	52
ALF5LB-024	46	LP16	54	MCB98110	39	PLB8-230	52
ALF5LB-048	46	LP17	54	MCB98110D	39	PLB8LB-024	52
ALF5LB-110	46	LP18	54	MCB9812	39	PLB8LB-048	52
ALF5LB-230	46	LP19	54	MCB98230	39	PLB8LB-110	52
ALF6-024	46	LP20	54	MCB98230D	39	PLB8LB-230	52
ALF6-048	46	LP24	54	MCB9824	39	PLL1	55
ALF6-110	46	LP36	54	MCB9848	39	PLL1	55
ALF6-230	46	LP41	54	NPT1/2	40	PLL3	55
ALF6LB-024	46	LP74	54	P2AF1	31	PLL3	55
ALF6LB-048	46	M20	40	P2AF1WA0	31	PLL4	55
ALF6LB-110	46	MCB151110	54	P2AF1WA90	31	PLL4	55
ALF6LB-230	46	MCB151110D	54	P2AF2	31	PLL5	55
ALF7-024	46	MCB15112	54	P2AF2WA0	31	PLL5	55
ALF7-048	46	MCB151230	54	P2AF2WA90	31	PLL6	55
ALF7-110	46	MCB151230D	54	P2AF3	31	PLL6	55
ALF7-230	46	MCB15124	54	P2AF4	31	PLL7	55
ALF7LB-024	46	MCB15148	54	P2AF6	31	PLL7	55
ALF7LB-048	46	MCB153110	54	P2AF7	31	PLL8	55
ALF7LB-110	46	MCB153110D	54	P2AM4	31	PLL8	55
ALF7LB-230	46	MCB15312	54	P2AP2	31	S1	41
ALF8-024	46	MCB153230	54	P2AP3	31	S2	41
ALF8-048	46	MCB153230D	54	P2AP4	31	S3	41
ALF8-110	46	MCB15324	54	P2AP6	31	S4	41
ALF8-230	46	MCB15348	54	P2AP8	31	S5	41
ALF8LB-024	46	MCB154110	54	P2AS2-1	31	S6	41
ALF8LB-048	46	MCB154110D	54	P2AS2-3	31	S7	41
ALF8LB-110	46	MCB15412	54	P2AS2-4	31	S8	41
ALF8LB-230	46	MCB154230	54	P2BRK	31	SC25	55
ALP101	55	MCB154230D	54	P2MN	31	SC25	55
AM1	50	MCB15424	54	PAM	55	SC45	55
AM2	50	MCB15448	54	PAP	55	SC45	55
AM3	50	MCB155110	54	PLB1-024	52	SC65	55
AM4	50	MCB155110D	54	PLB1-048	52	SC65	55
AM6	50	MCB15512	54	PLB1-110	52	SC90	55
AM8	50	MCB155230	54	PLB1-230	52	SC90	55
AMKB2	50	MCB155230D	54	PLB1LB-024	52		
AMKB4	50	MCB15524	54	PLB1LB-048	52		
AML2	50	MCB15548	54	PLB1LB-110	52		

## Commonly used metric and other useful conversions

<b>Length</b>		
inch [in.]	x25.4	=millimeters
millimeters [mm]	x0.03937	=inches
meters [m]	x3.281	=feet
miles [mi]	x1.609	=kilometers
kilometers [km]	x0.6214	=miles
<b>Torque</b>		
Newtonmeter [Nm]	x0.738	=lb-ft
lb-ft	x1.356	=Nm
lb-in	x0.113	=Nm
oz-in	x0.0071	=Nm
<b>Power</b>		
kilowatt [kW]	x1.341	=hp
hp	x0.7457	=kW
<b>Moment of Inertia (WR<sup>2</sup>)</b>		
lb-ft <sup>2</sup>	x0.042	=kgm <sup>2</sup>
kilogrammeter <sup>2</sup> [kgm <sup>2</sup> ]	23.720	=lb-ft <sup>2</sup>
<b>Weight Mass and Force</b>		
Newton [N]	x0.02248	=pounds
kilogram [kg]	x2.205	=pounds
pound [lb]	x4.448	=N
pound [lb]	x0.4536	=kg

Metric Cross-Sectional Areas <sup>1</sup>		American Wire Gauge		Metric Cross-Sections Areas <sup>a</sup>		American Wire Gauge	
Cross-Sectional Area	Equivalent Metric Area	AWG or MCM	Cross-Sectional Area	Equivalent Metric Area	AWG or MCM	Cross-Sectional Area	Equivalent Metric Area
mm <sup>2</sup>	mm <sup>2</sup>		mm <sup>2</sup>	mm <sup>2</sup>		mm <sup>2</sup>	mm <sup>2</sup>
0.50	0.519	20 AWG	25.0	21.15	4 AWG		
0.75	0.653	19	26.67	26.67	3		
	0.823	18	35.0	33.63	2		
				42.41	1		
			50.0	53.48	1/0		
1.5	1.65	15	70.0	67.43	2/0		
2.5	2.08	14	95.0	85.03	3/0		
	2.62	13		107.20	4/0		
	3.31	12	120.0	126.64	250 MCM		
4.0	4.17	11	150.0	152.00	300		
	5.26	10	185.0	177.35	350		
6.0	6.63	9	240.0	202.71	400		
	8.37	8	300.0	253.35	500		
10.0	10.55	7	400.0	380.00	750		
	13.30	6	500.0	506.71	1000		
16.0	16.77	5	625.0				

<sup>a</sup>As per IEC Publ. 228

DEGREES CELCIUS VERSUS DEGREES FAHRENHEIT													
°C	°F	°C	°F	°C	°F	°C	°F	°C	°F	°C	°F	°C	°F
-80	-112.0	-20	-4.0	5	41.0	30	86.0	55	131.0	80	176.0	105	221.0
-70	-94.0	-19	-2.2	6	42.8	31	87.8	56	132.8	81	177.8	106	222.8
-60	-65.0	-18	-0.4	7	44.6	32	89.6	57	134.6	82	179.6	107	224.6
-50	-58	-17	+1.4	8	46.4	33	91.4	58	136.4	83	181.4	108	226.4
-45	-49.1	-16	3.2	9	48.2	34	93.2	59	138.2	84	183.2	109	228.2
-40	-40.0	-15	5.0	10	50.0	35	95.0	60	140.0	85	185.0	110	230.0
-39	-38.2	-14	6.8	11	51.8	36	96.8	61	141.8	86	186.8	111	231.8
-38	-36.4	-13	8.6	12	53.6	37	98.6	62	143.6	87	188.6	112	233.6
-37	-34.6	-12	10.4	13	55.4	38	100.4	63	145.4	88	189.4	113	235.4
-36	32.8	-11	12.2	14	57.2	39	102.2	64	147.2	89	192.2	114	237.2
-35	-31.0	-10	14.0	15	59.0	40	104.0	65	149.0	90	194.0	115	239.0
-34	29.2	-9	15.8	16	60.8	41	105.8	66	150.8	91	195.8	116	240.8
-33	-27.4	-8	17.6	17	62.6	42	107.6	67	152.6	92	197.6	117	242.6
-32	-25.6	-7	19.4	18	64.4	43	109.4	68	154.4	93	199.4	118	244.4
-31	-23.8	-6	21.2	19	66.2	44	111.2	69	156.2	94	201.2	119	246.2
-30	-22.0	-5	23.0	20	68.0	45	113.0	70	158.0	95	203.0	120	248.0
-29	-22.0	-4	24.8	21	69.8	46	114.8	71	159.8	96	204.8	121	249.8
-28	-18.4	-3	26.6	22	71.6	47	116.8	72	161.6	97	206.6	122	251.6
-27	-16.6	-2	28.4	23	73.4	48	118.4	73	163.4	98	208.4	123	253.4
-26	-14.8	-1	30.2	24	75.2	49	120.2	74	165.2	99	210.2	124	255.2
-25	-13.0	0	32.0	25	77.0	50	122.0	75	167.0	100	212.0	125	257.0
-24	-11.2	1	33.8	26	78.8	51	123.8	76	168.8	101	213.8	126	258.8
-23	-9.4	2	35.6	27	80.6	52	125.6	77	170.6	102	215.6	127	260.6
-22	-7.6	3	37.4	28	82.4	53	127.4	78	172.4	103	217.4	128	262.4
-21	-5.8	4	39.2	29	84.2	54	129.2	79	174.2	104	219.2	129	264.2

Conversion Formula °F = 9/5°C + 32°      °C = 5/9(°F-32°)



# Terms and Conditions

**TITLE** - Title to the products of ALTECH shall remain with ALTECH until payment is made in full by Customer. Such reservation of title is for the purpose of securing the purchase price and shall not relieve Customer of the duty to inspect the products upon receipt, to notify ALTECH of any deficiencies or defects, and to exercise due care in the use, installation, operation, and maintenance of the products when on the premise of the Customer or under the control of the Customer. Notwithstanding any reservation of title by ALTECH, risk of loss shall pass to customer at any time of shipment.

**SHIPMENT AND DELIVERY** - All orders for destination in the mainland United States (less Hawaii, Alaska and non-continental United States possessions) will be shipped F.O.B. Flemington, N.J. All destination, shipping and other charges shall be paid by the Customer in accordance with ALTECH's then current shipping and billing practices.

Delivery dates given in the acceptance of any order are approximate. ALTECH shall not be liable for delays in delivery or in performance due to causes beyond its reasonable control including acts of God, acts of Customer, acts of civil or military authority, fires, strikes or other labor disturbances, war, riot or delays in transportation. In the event of such delay, the date of delivery or performance shall be extended for a period equal to the time lost by reason of the delay.

**PRICE** - PRICES in any ALTECH publication are subject to change without prior notification. Catalog prices are based on prices published in the current price list. All written quotations are valid for thirty (30) days from the date of quotation. Customer shall pay all sales, use, excise or similar taxes whenever ALTECH must itself pay and/or collect such tax from Customer arising out of the sale.

**PAYMENT** - Customer agrees to make payment within thirty (30) days of date of the invoice from ALTECH. Customer agrees to pay a late payment charge of one and one-half percent (1.5% per month, or the maximum late payment charge permitted by applicable law, whichever is less, on any unpaid amount for each calendar month (or fraction thereof) that such payment is in default. Orders amounting to less than \$100.00 will be billed at \$100.00 plus freight. Full carton purchases are required. In the event of referral to an attorney for collection, reasonable attorney's fees for collection of the overdue amount shall be paid by Customer. In the event payment is not received within 30 days from the date of invoice, any discount shall be cancelled and the full list price will be due.

**LIMITED WARRANTY** - ALTECH warrants to Customer that the equipment purchases shall be free from defects in material and workmanship under normal use and service for a period of one year from shipment.

Written notice as an explanation of the circumstances of any claim that the equipment has proved defective in material or workmanship shall be given promptly by the Customer to ALTECH.

ALTECH will not be liable for any misuse, improper operations, improper installation, improper maintenance, alteration, modification, accident or unusual degradation of the equipment or parts due to an unsuitable installation environment.

No representation of other affirmation of facts, including but not limited to statements regarding capacity, suitability for use or performance of the equipment, shall be or be deemed to be a warranty or representation by ALTECH for any purpose, nor give rise to any liability or obligation of ALTECH whatsoever.

Customer's sole and exclusive remedy in the event of breach of warranty, as set forth herein, is expressly limited to (1) the correction of the defect by adjustment, repair, modification, or replacement, or (2) issuance of a credit or refund of the purchase price for the defective equipment at ALTECH's election and sole expense.

EXCEPT AS SPECIFICALLY PROVIDED IN THIS AGREEMENT, THERE ARE NO OTHER WARRANTIES EXPRESSED OR IMPLIED INCLUDING BUT NOT LIMITED TO ANY IMPLIED WARRANTIES OR MERCHANTABILITY OR FITNESS FOR A PARTICULAR PURPOSE.

THIS WARRANTY EXTENDS ONLY TO THE CUSTOMER FROM ALTECH OR ITS AUTHORIZED DISTRIBUTOR.

**LIMITATION OF LIABILITY** - IN NO EVENT, SHALL ALTECH BE LIABLE FOR LOSS OF PROFITS, INDIRECT, SPECIAL, CONSEQUENTIAL OR OTHER SIMILAR DAMAGES ARISING OUT OF ANY BREACH OF THIS AGREEMENT OR OBLIGATIONS UNDER THE AGREEMENT.

ALTECH SHALL NOT BE LIABLE FOR ANY DAMAGES CAUSED BY DELAY IN SHIPMENT, INSTALLATION OR FURNISHING OF EQUIPMENT OR SERVICES UNDER THIS AGREEMENT.

No action arising out of any claimed breach of this Agreement may be brought by either party more than two (2) years after the cause of action has accrued.

**PATENT INDEMNITY** - ALTECH shall defend or settle any suit or proceeding brought against Customer based on a claim that any equipment made to ALTECH design and furnished hereunder constitutes an infringement of any existing United States patent, provided (ALTECH) is notified promptly in writing and is given complete authorization and information required for the defense, and ALTECH shall pay all damages and costs awarded against Customer, but shall not be responsible for any costs, expense or compromise incurred or made by Customer without ALTECH's prior written consent. If any equipment is in ALTECH's opinion likely to or does become the subject of a claim for patent infringement, ALTECH may at its option and expense procure for Customer the right to continue using the device, modify it to become non-infringing, but in the event ALTECH is not reasonably able to modify, substitute, or otherwise procure for Customer the right to continue using it, ALTECH will remove such equipment and refund to Customer the amount paid in excess of a reasonable rental for past use.

ALTECH shall not be liable for any infringement or claim based upon use of the equipment in combination with other equipment not supplied by ALTECH or with modifications made by Customer.

The foregoing states the entire liability of ALTECH to Customer arising from patent infringement.

**SELLER'S REMEDIES** - Should Customer fail to make any payment within ten (10) days of its due date, or fail to perform any other of the Customer's obligation hereunder upon thirty (30) days written notice, or should Customer be or become insolvent or be a party to any bankruptcy receivership proceeding prior to full payment of all amounts payable hereunder, ALTECH may: (a) with or without demand or notice to customer declare the entire amount unpaid immediately due and payable; (b) enter upon the premises where the equipment may be found and remove it (Customer shall assemble the equipment and make it available to ALTECH at a place reasonably convenient to both parties and shall permit and assist ALTECH in effecting the retaking and removal of the equipment); and (c) sell any or all the equipment as permitted under applicable law, applying the proceeds of the sale to payment of the expenses of retaking, repairing and selling the equipment, reasonable attorney fees and to the satisfaction of all indebtedness then due and unpaid under this Agreement. Any surplus shall be paid to Customer and any deficiency shall be paid to ALTECH by Customer.

The remedies provided herein shall be cumulative and in addition to all other remedies provided by law or equity or under the Uniform Commercial Code.

**GOVERNING LAW** - This agreement will be governed by the Laws of the State of New Jersey.

**GENERAL** - This Agreement shall only become effective and binding when either (a) it has been accepted and executed by an authorized representative of ALTECH, or (b) the equipment has been shipped to Customer, with or without acceptance in writing hereon. Notice of acceptance is hereby waived by Customer. Customer hereby acknowledges receipt of a true and complete copy hereof.

No addition to or modification of any of the Terms and Conditions of Sale as they appear herein shall be binding upon ALTECH unless signed in writing by duly authorized representative of ALTECH in Flemington, N.J.

Typographical and clerical errors in quotations, orders and acknowledgments are subject to correction.

This Agreement is not assignable without the prior written consent of ALTECH. Any attempt to assign any of the rights, duties or obligations of this Agreement without such consent is void.

If any provision or provisions of this Agreement shall be held to be invalid, illegal or unenforceable, the validity, legality and enforceability, of the remaining provisions shall not in any way be affected or impaired thereby.

ALTECH is not responsible for failure to fulfill its obligation under this Agreement due to causes beyond its control, or except as agreed herein.

THE CUSTOMER ACKNOWLEDGES THAT HE HAS READ THE AGREEMENT, UNDERSTANDS IT, AND AGREES TO BE BOUND BY ITS TERMS AND CONDITIONS. FURTHERMORE, THE CUSTOMER AGREES THAT IT IS THE COMPLETE AND EXCLUSIVE STATEMENT OF THE AGREEMENT BETWEEN THE PARTIES, WHICH SUPERSEDES ALL PROPOSALS OR PRIOR AGREEMENTS, ORAL OR WRITTEN, EXPRESSED OR IMPLIED, AND ALL OTHER COMMUNICATIONS BETWEEN THE PARTIES RELATING TO THE SUBJECT MATTER OF THIS AGREEMENT.

# Here are other great products available from Altech!

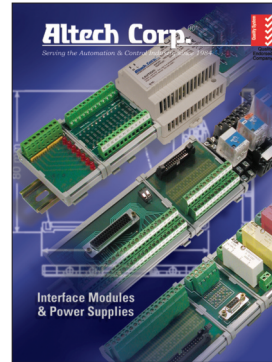
## Circuit Protection Devices



Altech the market leader in UL508 Manual Motor Controllers/ Miniature Circuit Breakers now introduces UL489 Miniature Circuit Breakers and UL1077 Supplementary Protectors. The UL489 versions are DIN rail mounted, 17.5mm wide, thermal magnetic, 240V, 480Y/277V AC, 50/60Hz, 125 and 250 VDC models, with short circuit interrupt capacity of 10kA, a positive trip indicator, and are line/load reversible. The UL1077 versions are DIN rail mounted, 17.5mm wide, thermal magnetic, 480Y/277V AC, 50/60Hz, a short circuit withstand capacity 10kA, have a positive trip indicator.

**Altech Corp.**<sup>®</sup>  
35 Royal Rd., Flemington, NJ 08822  
908-806-9400  
FAX 908-806-9490  
[www.altechcorp.com](http://www.altechcorp.com)

## Interface Modules and Power Supplies



Altech offers a wide range of DIN Rail or panel mount cable interface modules, relay interface modules, power supplies, carrier modules, and custom designed modules. Cable to connector models include: D-Sub connectors, ribbon cable connectors, and Dip socket connectors to terminals. Standard relay modules from 1 to 16 channels, and safety relay modules from 1 to 16 channels and up to 10 poles are included. The catalog also contains switching power supplies, linear power supplies, and custom designed interface modules.

**Altech Corp.**<sup>®</sup>  
35 Royal Rd., Flemington, NJ 08822  
908-806-9400  
FAX 908-806-9490  
[www.altechcorp.com](http://www.altechcorp.com)

## Contactors and More!



Altech's now carries contactors, mini contactors, definite purpose contactors & overload relays. The contactors come in 3 and 4 pole configurations at 9A to 800A. Available in Single Phase (115 -230V) and Three Phase (200 - 575V) AC and DC models. A large variety of coil voltages are supported and the accessories are auxiliary contacts and overload relays. The mini contactors come in screw clamp, fast-on, cage clamp and solder pin types.

**Altech Corp.**<sup>®</sup>  
35 Royal Rd., Flemington, NJ 08822  
908-806-9400  
[www.altechcorp.com](http://www.altechcorp.com)

## Terminal Blocks



Altech offers a NEW Terminal Block catalog with the most competitively priced blocks in the industry. We feature screw and spring clamp models for DIN rail and panel mount applications. This advanced line of wire termination products will increase your design options and help to get the job done more efficiently. Our line of blocks include feed-through (single, double or triple level), distribution, ground, fuse, disconnect, thermocouple, surge suppressor and indicator. A wide variety of accessories, tools and ferrules are available.

**Altech Corp.**<sup>®</sup>  
35 Royal Rd., Flemington, NJ 08822  
908-806-9400  
FAX 908-806-9490  
[www.altechcorp.com](http://www.altechcorp.com)

## Industrial Enclosures



Altech's expanded line of TK Industrial Enclosures, with metric knockouts, is here. Now our entire line of industrial enclosures is in metric. Metric knockouts align with international standards making selection easier and more universal. Plus the PG standard is still available. All of Altech's enclosures are internationally accepted and stand up to the harshest environments. They protect against dust, water and corrosion while enhancing the value of your product. Rated up to IP66 (NEMA type 4x), Altech enclosures are available in a wide range of sizes.

**Altech Corp.**<sup>®</sup>  
35 Royal Rd., Flemington, NJ 08822  
908-806-9400  
[www.altechcorp.com](http://www.altechcorp.com)

## Liquid Tight Strain Reliefs



This 64-page catalog introduces Altech's full line Liquid Tight Strain Reliefs (Cord Grips) which are used to seal cable entries, keep contaminant's from entering enclosures, provide strain relief and thus reduce stress on components and termination points inside enclosures. Available in standard, high-performance, and economy versions, functions include Straight-Through, Increased Strain Relief, Bend Protection, Pull/Bend Protection, Multi-conductor, Flat Cable and EMI/RFI. They can be used with almost any type of cable, cord or conductor - solid, stranded, flat, shielded, high temperature, etc.

**Altech Corp.**<sup>®</sup>  
35 Royal Rd., Flemington, NJ 08822  
908-806-9400  
FAX 908-806-9490  
[www.altechcorp.com](http://www.altechcorp.com)

## DIN Rail Power Supplies



Altech DIN RAIL mountable power supplies have Universal AC input. They are suitable for industrial and automation applications.

- UL508 Listed
- Installed on DIN rail TS35/ 7.5 or 15
- Available from 30-960W
- Protections: Short circuit / Overload / Over-voltage / Over temperature
- Cooling by free air convection
- Worldwide approvals
- 3 year warranty

**Altech Corp.**<sup>®</sup>  
35 Royal Rd., Flemington, NJ 08822  
908-806-9400  
FAX 908-806-9490  
[www.altechcorp.com](http://www.altechcorp.com)

## Motor Disconnect Switches



Altech's line of Motor Disconnect Switches are UL 508 listed as Manual Motor Controllers for AC Motor Starting Across-the-line and AC General use. This new 16 page catalog includes the 3 different handle designs, which are all available in gray/black or yellow/red housings. Electrical ratings are 25-150A / 600V. The switches are non-fused DIN Rail mountable. Neat features include: snap-on auxiliary switches, door mounting kit and a retrofit 30A fuse holder. Also featured are Enclosed Motor Disconnect Switches & Fused Enclosed Motor Disconnect Switch (30A) in plastic or stainless housings.

**Altech Corp.**<sup>®</sup>  
35 Royal Rd., Flemington, NJ 08822  
908-806-9400  
[www.altechcorp.com](http://www.altechcorp.com)





### WEB TOOLS

- Product Crossings
- Request for Quote
- Sample Request
- Catalog Request

### PRODUCT MENU

- Circuit Protection / Control >
- Connectors >
- Enclosures >
- European Spare Parts >
- Foot Switches
- Interface Modules >
- Power Supplies
- Push Buttons & Pilot Lights >
- Relays >
- Sensors >
- Terminal Blocks >
- Tower Lights
- Wire & Cable Management >
- Home

### New Products and Promotions

## Serving the Automation & Control Industry Since 1984

### Circuit Protection

 Circuit Protection Devices	 Busbar and Power Distribution	 Contactors, Overload Relays, Manual Motor Starters	 Motor Disconnect Switches	 European Fuses
--	---	--	---	--

### Connectors

 Industrial Rectangular Connectors	 Pin & Sleeve Devices	 Receptacles	 Foot Switches	 Inductive Proximity Sensors
---	--	---	---	---

### Enclosures

 Industrial Enclosures	 DIN Enclosures	 Interface Modules	 Safety Relays	 Slimline Relays
--	---	--	--	--

### Modules & Relays

### Power Supplies

 Power Supplies	 22 & 30 mm Push Buttons	 DIN Rail	 Liquid Tight Strain Reliefs/Corrugated Tubes	 Wire Duct
--	---	--	--	---

### Push Buttons

### DIN Rail

### Wire & Cable Management

### Terminal Blocks

 Din Rail Terminal Blocks	 Panel Mount Terminal Blocks	 Printed Circuit Board Terminal Blocks	 Eurostrips	 Distribution Blocks
--	---	---	--	---

### Miscellaneous

 Ferrules	 Custom Assembly	 Marking & Engraving Systems	 Power Semi-conductors	 European Spare Parts
--	---	---	---	--

Altech Corporation  
35 Royal Road  
Flemington, NJ 08822-6000  
P 908.806.9400 • F 908.806.9490  
www.altechcorp.com

Altech Corp.® 255-052013-3M  
Printed July 2013

