

## 30cc syringe (with piston, front cover, rear cover, two tips, plunger) - 10 pack

### Product Highlights

OEM CHIPQUIK 30cc syringe (with plunger)  
 10 pack  
 Compatible with CHIPQUIK Syringe Gun SMDSG30CCR

### Specifications

#### Includes:

syringe x10  
 piston x10  
 front cover x10  
 rear cover x10  
 conical plastic dispensing tip (18 gauge) x10  
 straight stainless steel dispensing tip (18 gauge) x10  
 plunger x10  
 plunger retainer x10

#### Packaging:

All parts come unassembled.

#### Compatible with CHIPQUIK manual syringe gun:

SMDSG30CCR

#### Compatible with all CHIPQUIK dispensing tips:

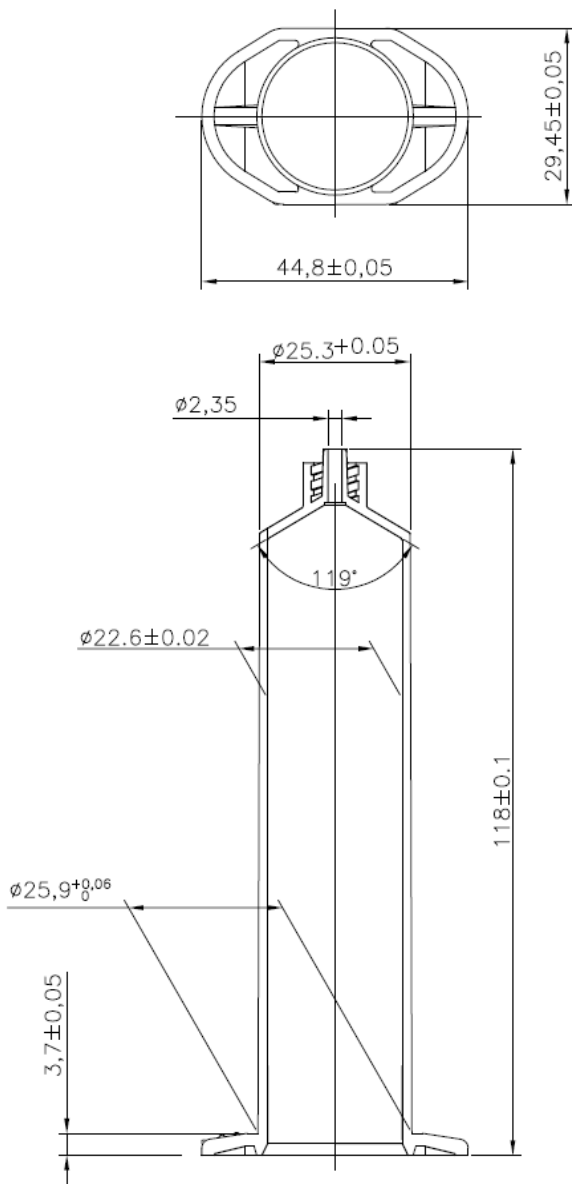


Part Number	Tip Type	Tip Gauge	Tip Orifice Internal Diameter (mm)	Tip Orifice Internal Diameter (inches)
SMDTA30	Straight Stainless Steel / Conical Plastic	Multiple (15 sizes)	Multiple (15 sizes)	Multiple (15 sizes)
SMDTA200	Straight Stainless Steel	Multiple (8 sizes)	Multiple (8 sizes)	Multiple (8 sizes)
SMDN-16G	Straight Stainless Steel	16	1.194 mm	0.0470 inches
SMDN-18G	Straight Stainless Steel	18	0.838 mm	0.0330 inches
SMDN-19G	Straight Stainless Steel	19	0.686 mm	0.0270 inches
SMDN-20G	Straight Stainless Steel	20	0.603 mm	0.0237 inches
SMDN-21G	Straight Stainless Steel	21	0.514 mm	0.0202 inches
SMDN-22G	Straight Stainless Steel	22	0.413 mm	0.0163 inches
SMDN-23G	Straight Stainless Steel	23	0.337 mm	0.0133 inches
SMDN-25G	Straight Stainless Steel	25	0.305 mm	0.0120 inches
SMDN-26G	Straight Stainless Steel	26	0.260 mm	0.0102 inches
SMDN-27G	Straight Stainless Steel	27	0.210 mm	0.0083 inches
SMDC-14G	Conical Plastic	14	1.600 mm	0.0630 inches
SMDC-16G	Conical Plastic	16	1.194 mm	0.0470 inches
SMDC-18G	Conical Plastic	18	0.838 mm	0.0330 inches
SMDC-20G	Conical Plastic	20	0.603 mm	0.0237 inches
SMDC-22G	Conical Plastic	22	0.413 mm	0.0163 inches
SMDC-25G	Conical Plastic	25	0.260 mm	0.0102 inches

### Notes

Dispensing tip colors may differ from image

## Syringe Dimensions



**Image 1:** 30cc syringe dimensions (in mm)