

MAGNASPHERE® 



























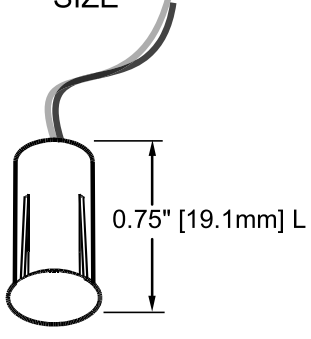

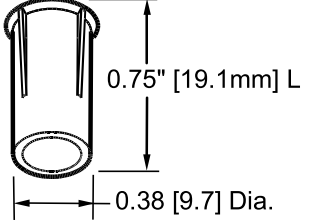
Security Contacts Product Catalog


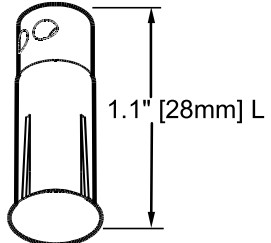

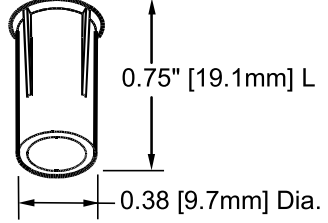
INVENTED and DESIGNED to address the undetected breaches of security that could occur when using easily exploitable and fragile reed switch sensors, MAGNASPHERE'S award-winning and patented technology is virtually unbeatable and unbreakable.

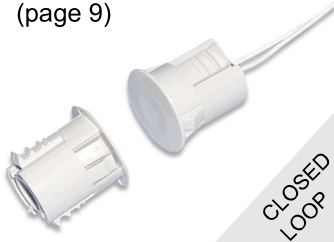
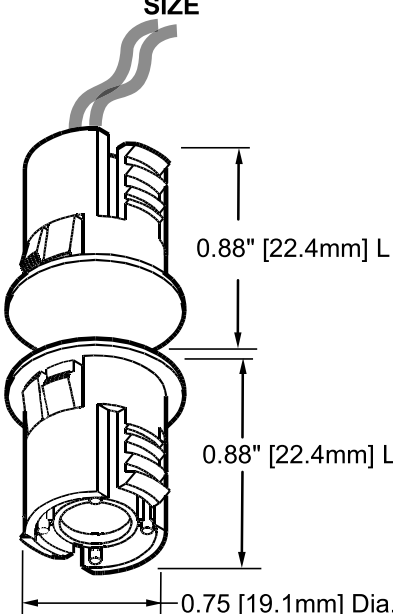

MAGNASPHERE®


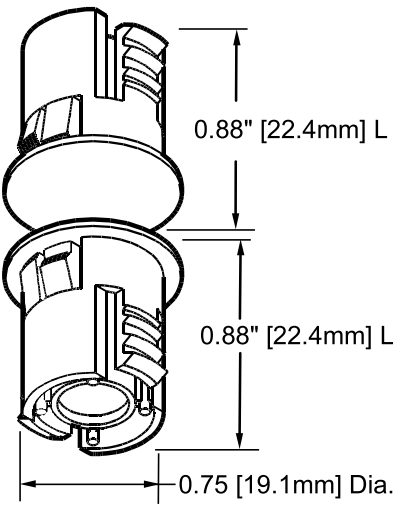

Page / Description


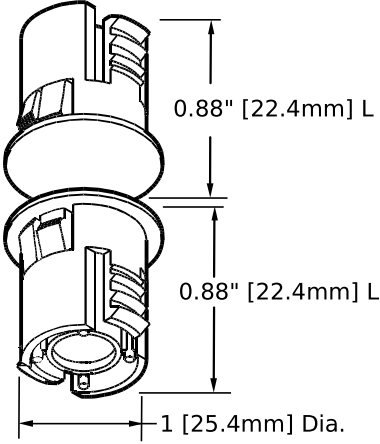

- 3-7: MSS Contacts (Recessed/Concealed and Surface Mount)    
- 8: Value Series Contacts (Recesses/Concealed and Surface Mount)   
- 9-10: MSS-200C Series Multi-Switch Contacts (Recessed/Concealed)    
- 11-12: MSS-300C Series Multi-Switch Contacts (Recessed/Concealed)    
- 13-14: MSS-300S Series Multi-Switch Contacts (Surface Mount)    
- 15: MK-3045 Panic Switch Kit Series 
- 16-17: MSS Accessories
- 18-22: HS L1.5 Level 1 High Security Contacts (Surface Mount)    
- 23-24: HS L1.5 Accessories & Replacement Pack
- 25-26: HSS L2S Level 2 High Security Contacts (Single Alarm Contact, Surface Mount)    
- 27-28: HSS L2D Level 2 High Security Contacts (Dual Alarm Contacts, Surface Mount)    
- 29-33: HSS L2S/D 800 Series Level 2 High Security Contacts (Conduit Fitting)    
- 34-36: HSS Accessories and Replacement Packs
- 37-38: HSS L2C and L2C-ANSI Level 2 High Security Contacts (Recessed/Concealed)    
- 39-41: L2C Accessories and Replacement Packs
- 42-43: Roll Up Door Bracket Kits and Overhead Door Brackets (OHD)
- 44-45: T3-B-LS Omnidirectional, T1-AB-JS Unidirectional Tilt Switches and Accessories  
- 46: Custom Length Armored Cable/Leads
- 47-48: Magnasphere Motion and Accessories   
- 49: MACS Anti-Climb System and Accessories
- 50: Hazardous Locations (HLOC) Kits 
- 51: L1.5 Based Wide Gap Adaptations (Non-UL) 


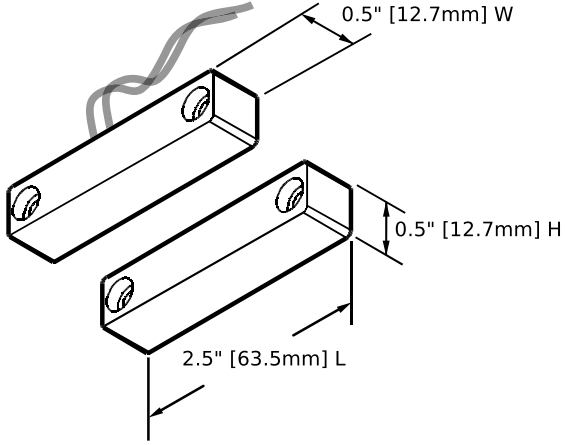

<p>MSS-10CL Recessed Contact</p>  <p>CLOSED LOOP</p>	<p>Specifications Max Current: 0.25A Resistive Max Voltage: 30 VDC Max Power: .25 W Resistive Configuration: "Closed Loop" w/ Target Magnet in Place MAX Gap: 3/8" [9.7mm] Conductor: #22 AWG - 12" [30.5cm] Color(s): Brown, and White</p>	<p>SIZE</p>  <p>0.75" [19.1mm] L</p>
<p>MSS-09CL Recessed Contact</p>  <p>Switch not to be used in steel frames</p>	<p>Specifications Max Current: 0.25A Resistive Max Voltage: 30 VDC Max Power: .25 W Resistive Configuration: "Open Loop" w/ Target Magnet in Place MAX Gap: 1/2" [12.7mm] Conductor: #22 AWG - 12" [30.5cm] Color(s): Brown, and White</p>	<p>SIZE</p>  <p>0.75" [19.1mm] L 0.38 [9.7] Dia.</p>


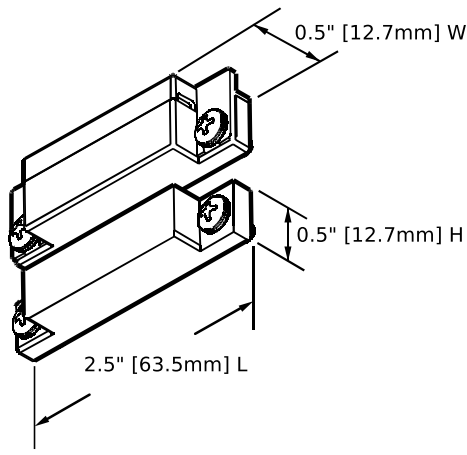

<p>MSS-10CT Recessed Contact</p>  <p>CLOSED LOOP</p>	<p>Specifications Max Current: 0.25A Resistive Max Voltage: 30 VDC Max Power: .25 W Resistive Configuration: "Closed Loop" w/ Target Magnet in Place MAX Gap: 3/8" [9.7mm] Conductor: Screw Terminals Color(s): Brown, and White</p>	<p>SIZE</p>  <p>1.1" [28mm] L</p>
<p>MSS-09CT Recessed Contact</p>  <p>Switch not to be used in steel frames</p>	<p>Specifications Max Current: 0.25A Resistive Max Voltage: 30 VDC Max Power: .25 W Resistive Configuration: "Open Loop" w/ Target Magnet in Place MAX Gap: 1/2" [12.7mm] Conductor: Screw Terminals Color(s): Brown, and White</p>	<p>SIZE</p>  <p>0.75" [19.1mm] L 0.38 [9.7mm] Dia.</p>


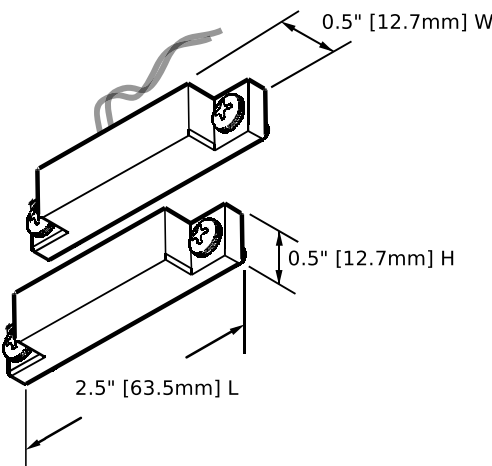

<p>MSS-20CL Recessed Contact</p> <p>Note: This part is being upgraded to the MSS-201C (page 9)</p>  <p>CLOSED LOOP</p>	<p>Specifications Max Current: 0.25A Resistive Max Voltage: 30 VDC Max Power: .25 W Resistive Configuration: "Closed Loop" w/ Target Magnet in Place MAX Gap: 3/8" [9.7mm] Conductor: #22 AWG - 12" [30.5cm] Color(s): Brown</p>	<p>SIZE</p>  <p>0.88" [22.4mm] L</p> <p>0.88" [22.4mm] L</p> <p>0.75 [19.1mm] Dia.</p>
<p>MSS-19CL Recessed Contact</p> <p>Note: This part is being upgraded to the MSS-210C (page 9)</p> 	<p>Specifications Max Current: 0.25A Resistive Max Voltage: 30 VDC Max Power: .25 W Resistive Configuration: "Open Loop" w/ Target Magnet in Place MAX Gap: 1/2" [12.7mm] Conductor: #22 AWG - 12" [30.5cm] Color(s): Brown and Grey</p>	

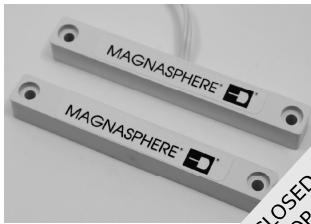
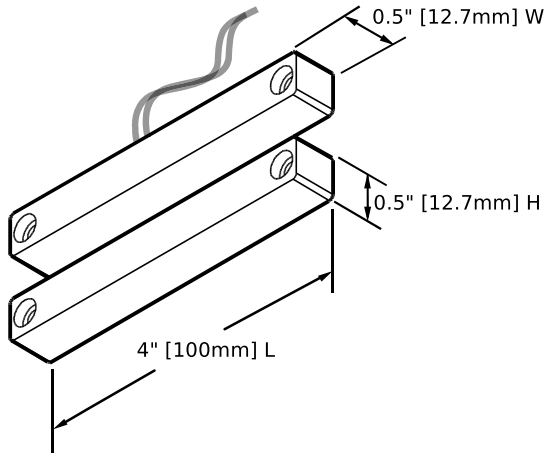

<p>MSS-20CT Recessed Contact</p>  <p>CLOSED LOOP</p>	<p>Specifications Max Current: 0.25A Resistive Max Voltage: 30 VDC Max Power: .25 W Resistive Configuration: "Closed Loop" w/ Target Magnet in Place MAX Gap: 3/8" [9.7mm] Conductor: Screw Terminals Color(s): Brown, Grey and White</p>	<p>SIZE</p>  <p>0.88" [22.4mm] L</p> <p>0.88" [22.4mm] L</p> <p>0.75 [19.1mm] Dia.</p>
<p>MSS-19CT Recessed Contact</p> 	<p>Specifications Max Current: 0.25A Resistive Max Voltage: 30 VDC Max Power: .25 W Resistive Configuration: "Open Loop" w/ Target Magnet in Place MAX Gap: 1/2" [12.7mm] Conductor: Screw Terminals Color(s): Brown, Grey and White</p>	

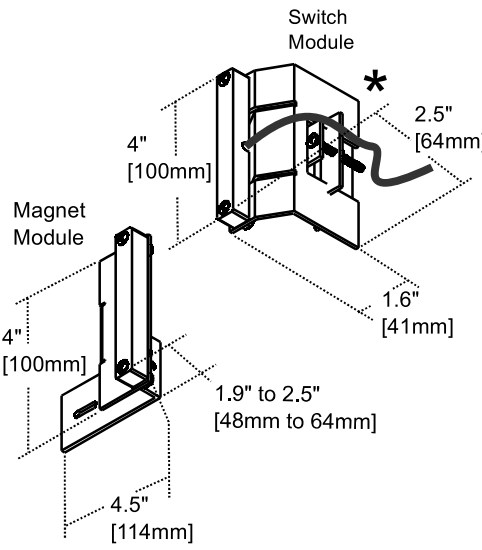
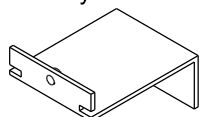
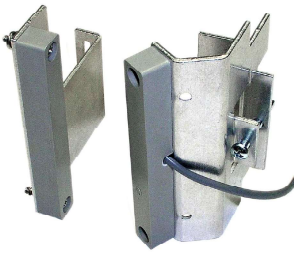
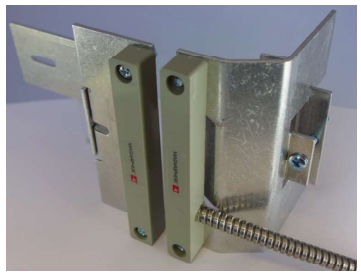
<p>MSS-26CL Recessed Contact</p> <p>Note: This part is being upgraded to the MSS-301C (page 11)</p>  <p>CLOSED LOOP</p>	<p>Specifications Max Current: 0.25A Resistive Max Voltage: 30 VDC Max Power: .25 W Resistive Configuration: "Closed Loop" w/ Target Magnet in Place MAX Gap: 3/8" [9.7mm] Conductor: #22 AWG - 12" [30.5cm] Color(s): Brown</p>	<p>SIZE</p> 
<p>MSS-25CL Recessed Contact</p> <p>Note: This part is being upgraded to the MSS-310C (page 11)</p> 	<p>Specifications Max Current: 0.25A Resistive Max Voltage: 30 VDC Max Power: .25 W Resistive Configuration: "Open Loop" w/ Target Magnet in Place MAX Gap: 1/2" [12.7 mm] Conductor: #22 AWG - 12" [30.5cm] Color(s): Gray</p>	

<p>MSS-54SL Surface Mount Contact</p>  <p>CLOSED LOOP</p>	<p>Specifications Max Current: 0.25A Resistive Max Voltage: 30 VDC Max Power: .25 W Resistive Configuration: "Closed Loop" w/ Target Magnet in Place MAX Gap: 3/8" [9.7mm] Conductor: 12" [30.5cm] Jacketed Leads Color(s): Brown, Gray and White</p>	<p>SIZE</p> 
<p>MSS-53SL Surface Mount Contact</p> 	<p>Specifications Max Current: 0.25A Resistive Max Voltage: 30 VDC Max Power: .25 W Resistive Configuration: "Open Loop" w/ Target Magnet in Place MAX Gap: 1/2" [12.7mm] Conductor: 12" [30.5cm] Jacketed Leads Color(s): Brown, Gray and White</p>	

<p>MSS-K24 Surface Mount Contact</p> 	<p>Specifications Max Current: 0.25A Resistive Max Voltage: 30 VDC Max Power: .25 W Resistive Configuration: "Closed Loop" w/ Target Magnet in Place MAX Gap: 3/8" [9.7mm] Conductor: Screw Terminals Color(s): Brown, Gray and White</p>	<p style="text-align: center;">SIZE</p> 
<p>MSS-K22 Surface Mount Contact</p> 	<p>Specifications Max Current: 0.25A Resistive Max Voltage: 30 VDC Max Power: .25 W Resistive Configuration: "Open Loop" w/ Target Magnet in Place MAX Gap: 1/2" [12.7mm] Conductor: Screw Terminals Color(s): Brown, Gray and White</p>	


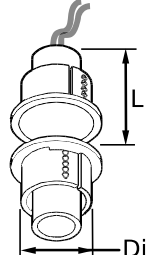

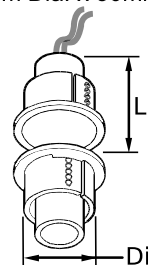
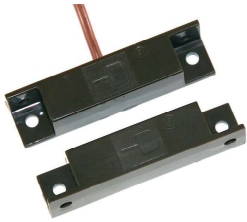
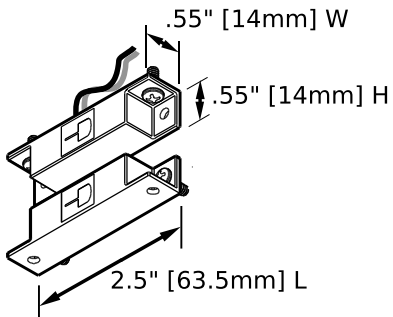
<p>MSS-K24S Surface Mount Contact</p> 	<p>Specifications Max Current: 0.25A Resistive Max Voltage: 30 VDC Max Power: .25 W Resistive Configuration: "Closed Loop" w/ Target Magnet in Place MAX Gap: 3/8" [9.7mm] Conductor: #22 AWG - 12" [30.5cm] Leads Color(s): Brown, Gray and White</p>	<p style="text-align: center;">SIZE</p> 
<p>MSS-K22S Surface Mount Contact</p> 	<p>Specifications Max Current: 0.25A Resistive Max Voltage: 30 VDC Max Power: .25 W Resistive Configuration: "Open Loop" w/ Target Magnet in Place MAX Gap: 1/2" [12.7mm] Conductor: #22 AWG - 12" [30.5cm] Leads Color(s): Brown, Gray and White</p>	

<p>MSS-88SL Surface Mount Contact</p>  <p>CLOSED LOOP</p>	<p>Specifications Max Current: 0.25A Resistive Max Voltage: 30 VDC Max Power: .25 W Resistive Configuration: "Closed Loop" w/ Target Magnet in Place MAX Gap: 3/8" [9.7mm] Conductor: 12" Jacketed Leads Color(s): Brown, Gray and White</p>	<p>SIZE</p> 
<p>MSS-89SL Surface Mount Contact</p> 	<p>Specifications Max Current: 0.25A Resistive Max Voltage: 30 VDC Max Power: .25 W Resistive Configuration: "Open Loop" w/ Target Magnet in Place MAX Gap: 1/2" [12.7mm] Conductor: 12" Jacketed Leads Color(s): Brown, Gray and White</p>	

<p>4" Overhead Door Contacts Available in Jacketed and Armored Leads</p>		<p>SIZE</p>  <p>* Accessory P/N : 1788 extended clamping bracket allows any OHD kit to hold 4" rails</p> 
<p>MSS-106S (60" Jacketed Leads) MSS-106S-C18-L2 (18" Armored Cable) MSS-106S-C36-L3.5 (36" Armored Cable)</p> <p>CLOSED LOOP</p>	<p>Specifications Max Current: 0.25A Resistive Max Voltage: 30 VDC Max Power: .25 W Resistive Configuration: "Closed Loop" w/ Target Magnet in Place MAX Gap: 3/8" [9.7mm] Conductor: 22 AWG Color(s): Gray</p>	
<p>MSS-105S (60" Jacketed Leads) MSS-105S-C18-L2 (18" Armored Cable) MSS-105S-C36-L3.5 (36" Armored Cable)</p>	<p>Specifications Max Current: 0.25A Resistive Max Voltage: 30 VDC Max Power: .25 W Resistive Configuration: "Open Loop" w/ Target Magnet in Place MAX Gap: 1/2" [12.7mm] Conductor: 22 AWG Color(s): Gray</p>	
<p>Jacketed Leads Model</p> 	<p>Armored Cable Model</p> 	

MSS Contacts
Value Series



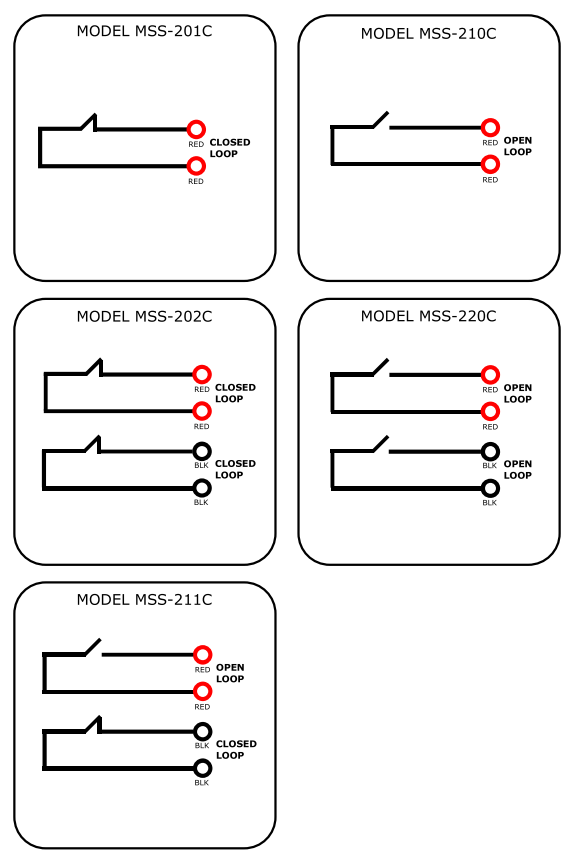
<p>MSS-19C Open Loop Recessed Contact</p> 	<p>SIZE 3/4" Dia. x .88" L [20mm Dia. x 21mm L]</p> 	<p>MAX Gap 1/2" [12.7mm]</p>	<p>Specifications Max Current: 0.25A Resistive Max Voltage: 30 VDC Max Power: .25 W Resistive Configuration: "Open Loop" w/ Target Magnet in Place</p>
		<p>Color(s) White</p>	<p>#22 AWG 12" [30.5cm] Leads</p>
<p>MSS-25C Open Loop Recessed Contact</p> 	<p>SIZE 1" Dia. x 1.2" L [25mm Dia. x 30mm L]</p> 	<p>MAX Gap 1/2" [12.7mm]</p>	<p>Specifications Max Current: 0.25A Resistive Max Voltage: 30 VDC Max Power: .25 W Resistive Configuration: "Open Loop" w/ Target Magnet in Place</p>
		<p>Color(s) White</p>	<p>#22 AWG 12" [30.5cm] Leads</p>
<p>MSS-63S Open Loop Surface Mount Contact</p> 	<p>Specifications Max Current: 0.25A Resistive Max Voltage: 30 VDC Max Power: .25 W Resistive Configuration: "Open Loop" w/ Target Magnet in Place MAX Gap: 1/2" [12.7mm] Conductor: 12" [30.5cm] Leads Color(s): Brown and White</p>	<p>SIZE</p> 	

see page 16 for accessories

MSS-200C and MSS-200C-FIRE Series (Recessed)

	<p>NOMENCLATURE</p> <p>Concealed</p> <p># of open loops</p> <p>MSS - 2 x x C</p> <p>Double loop capacity</p> <p># of closed loops</p>	<p>SIZE</p> <p>22 AWG x 12" [305mm], 6 MAX</p> <p>SWITCH MODULE</p> <p>MAGNET MODULE</p> <p>MAX Gap 5/16" [7.9mm]</p>	<p>Specifications</p> <p>Max Current: 0.25A Resistive</p> <p>Max Voltage: 30 VDC</p> <p>Max Power: .25 W Resistive</p> <p>Suitable for outdoor use</p> <p>Leads: 22 AWG 12" [30.5cm]</p> <p>Housing Color: White, Grey and Brown</p>
--	--	--	--

NOTE: CONTACT STATE SHOWN WITH TARGET MAGNET IN PLACE



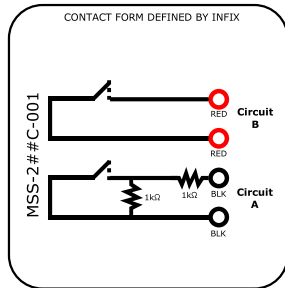
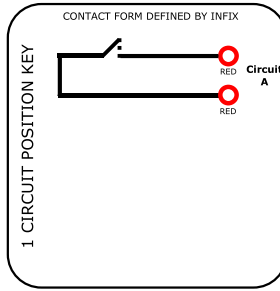
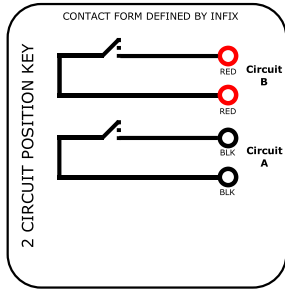
see page 16 for accessories

* To Order the UL10C classified/listed contacts (misc. fire door accessories, positive pressure tested.) add -FIRE suffix to the part number. MSS-200C-FIRE series is rated at 3 hours.

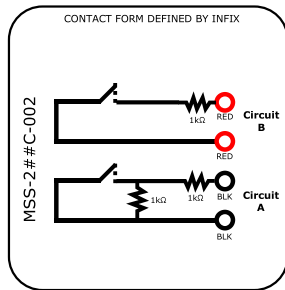
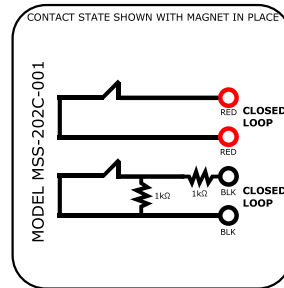


MSS-200C and MSS-200C-FIRE *Continued*
 NOTE: CONTACT STATE SHOWN WITH TARGET MAGNET IN PLACE

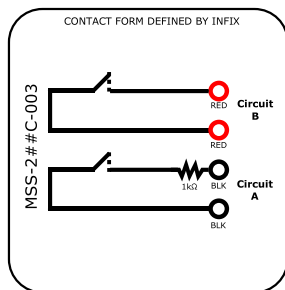
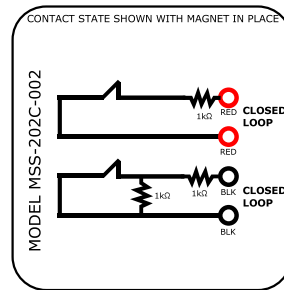
End-Of-Line Resistor Standard Models (-### suffix)



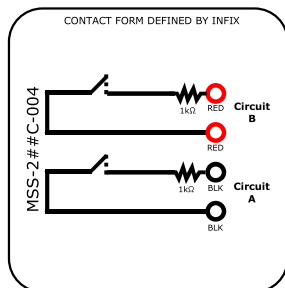
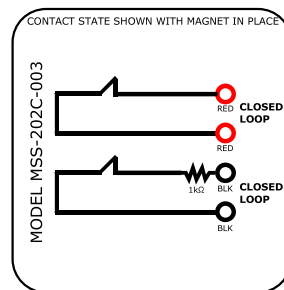
MSS-2##C-001:
 Series & Parallel 1k resistors on circuit A.
 One instance shown at right:



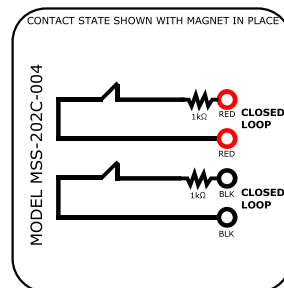
MSS-2##C-002:
 Series & Parallel 1k resistors on circuit A,
 Series 1k resistor on Circuit B. One instance shown at right:



MSS-2##C-003:
 Series 1k resistor on Circuit A. One instance shown at right:



MSS-2##C-004:
 Series 1k resistor on Circuit A and on Circuit B. One instance shown at right:


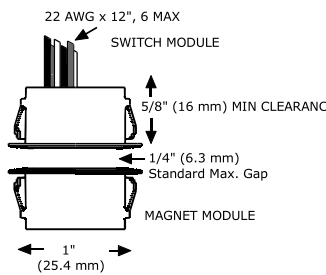


see page 16 for accessories

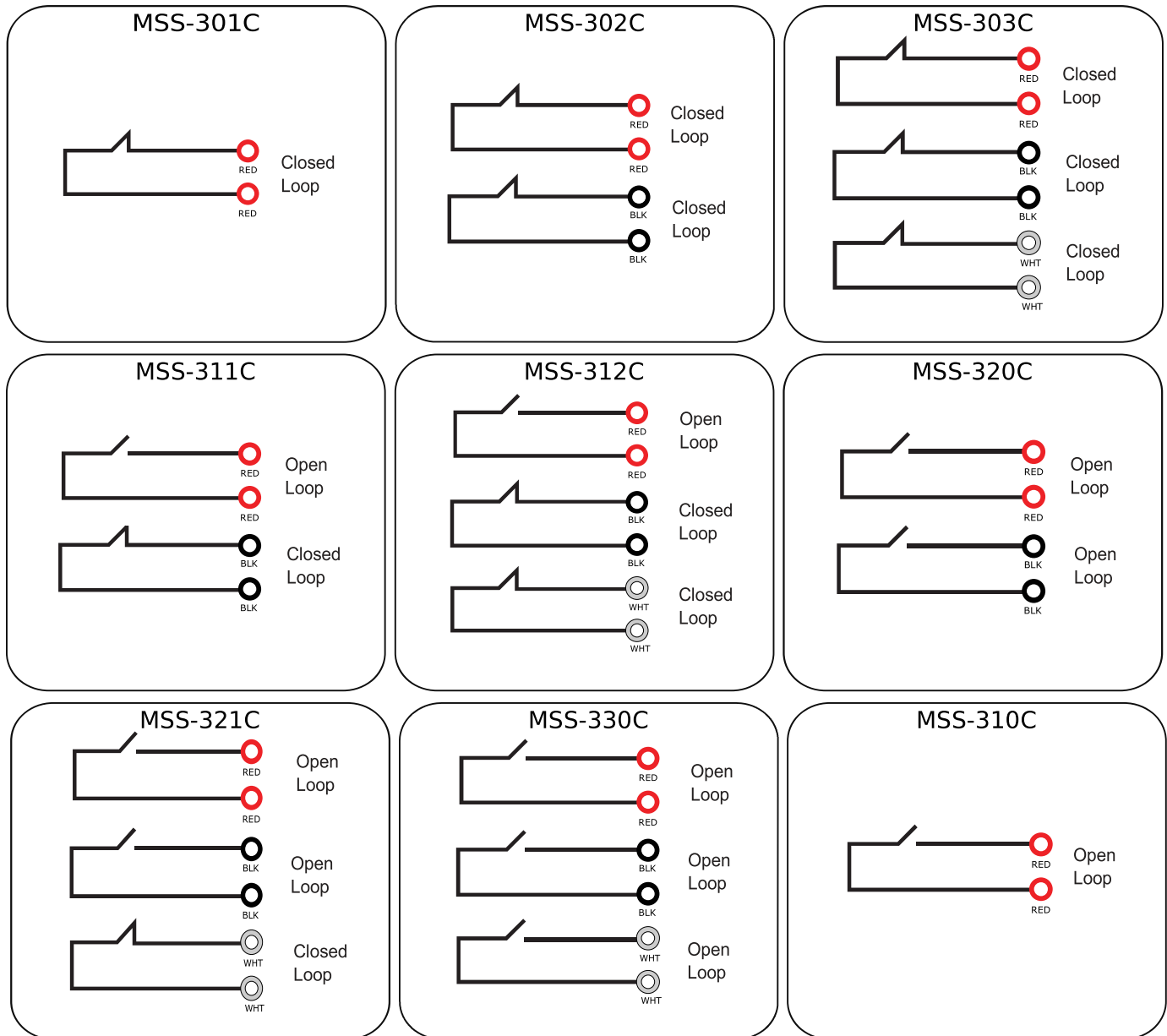
call to verify the proposed part number (+1 262-347-0711)

* To Order the UL10C classified/listed contacts (misc. fire door accessories, positive pressure tested.) add -FIRE suffix to the part number. MSS-200C-FIRE series is rated at 3 hours.

MSS-300C and MSS-300C-FIRE Series (Recessed)

 <p>NEW For wide gap models (5/8" min. gap) add the -WG suffix, example: MSS-301C-WG</p>	<p>NOMENCLATURE</p> <p>Concealed</p> <p># of open loops</p> <p>MSS - 3 x x C</p> <p>Triple loop capacity</p> <p># of closed loops</p>	<p>SIZE</p> 	<p>Specifications</p> <p>Max Current: 0.25A Resistive Max Voltage: 30 VDC Max Power: .25 W Resistive Suitable for outdoor use</p> <hr/> <p>Leads: 22 AWG 12" [30.5cm] Housing Color: Black, White, Gray and Brown</p>
--	--	---	---

NOTE: CONTACT STATE SHOWN WITH TARGET MAGNET IN PLACE



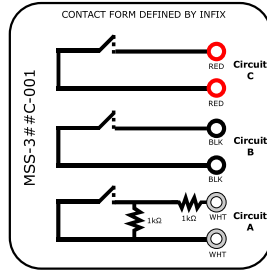
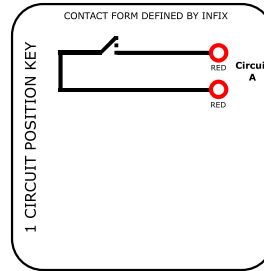
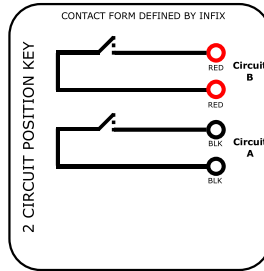
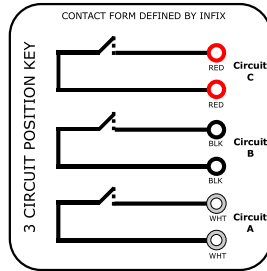
see pages 16 & 17 for accessories

* To Order the UL10C classified/listed contacts (misc. fire door accessories, positive pressure tested.) add -FIRE suffix to the part number. MSS-300C-FIRE series is rated at 3 hours.

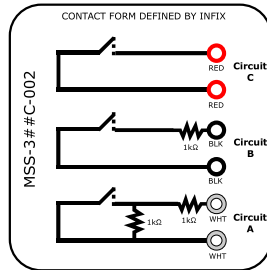
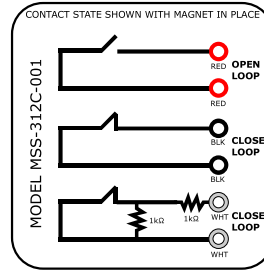
MSS-300C and MSS-300C-FIRE Series - End-Of-Line Resistor Standard Models (-### suffix)



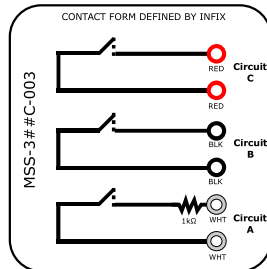
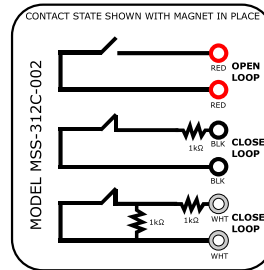
For wide gap models (5/8" min. gap) add the **-WG** suffix, example: MSS-301C-001-**WG**



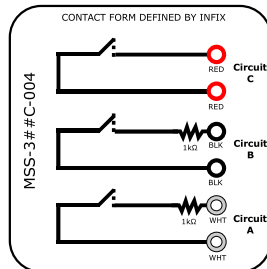
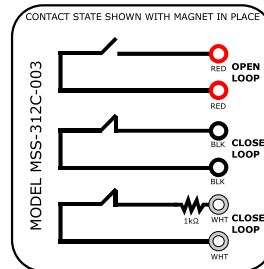
MSS-3##C-001:
 Series & Parallel 1k resistors on circuit A. One instance shown at right:



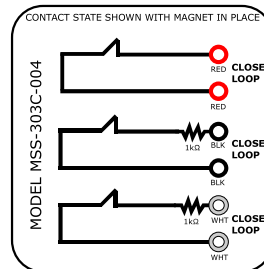
MSS-3##C-002:
 Series & Parallel 1k resistors on circuit A, Series 1k resistor on Circuit B. One instance shown at right:



MSS-3##C-003:
 Series 1k resistor on Circuit A. One instance shown at right:



MSS-3##C-004:
 Series 1k resistor on Circuit A and on Circuit B. One instance shown at right:

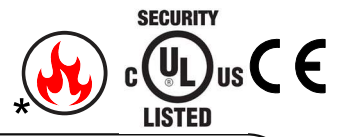


see pages 16 & 17 for accessories

call to verify the proposed part number (+1 262-347-0711)

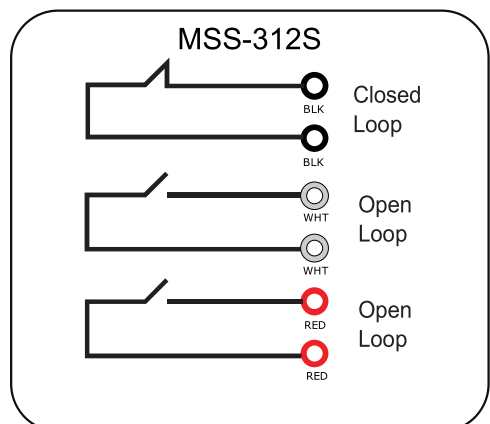
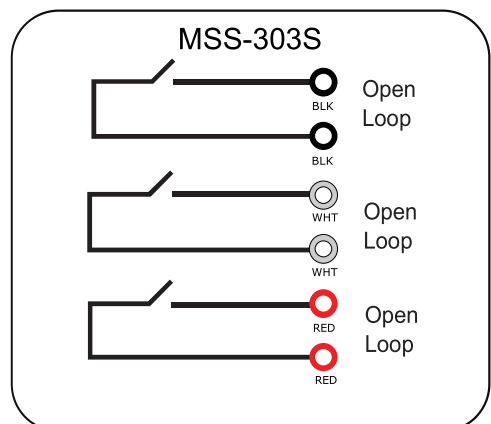
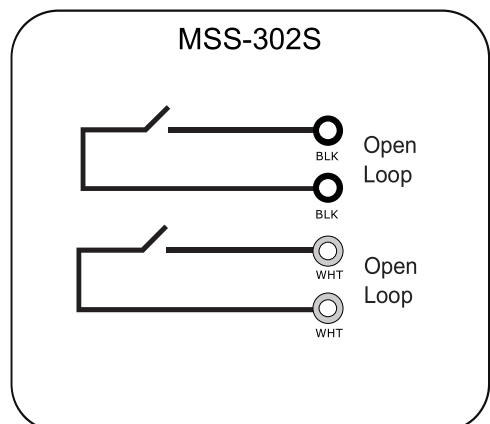
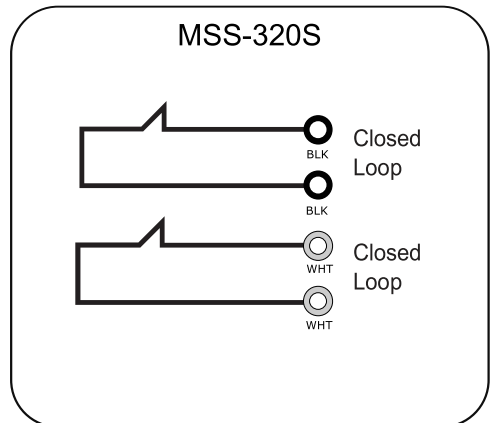
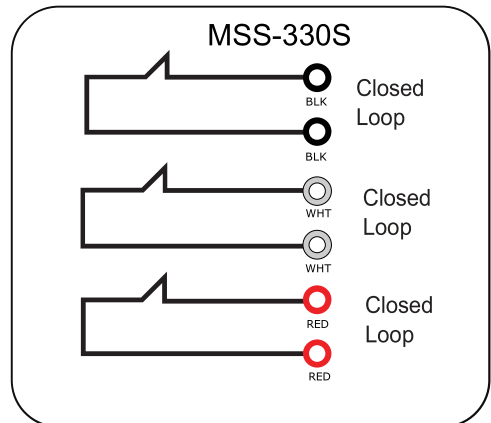
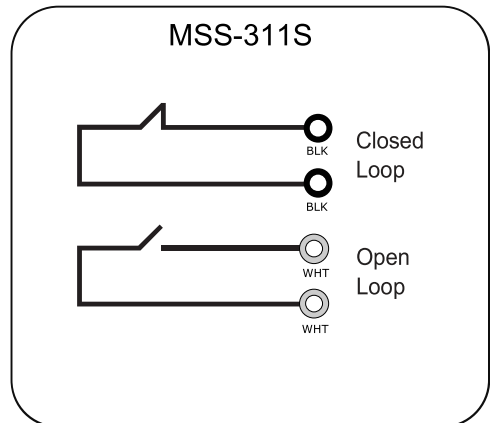
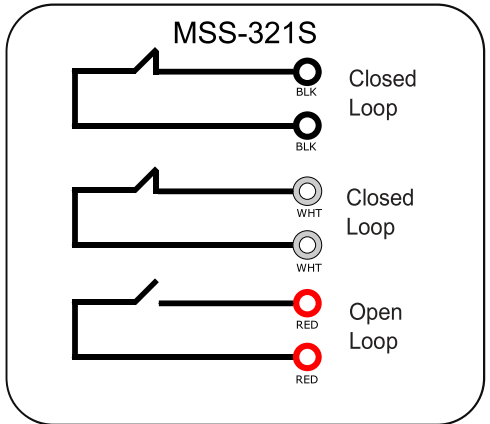
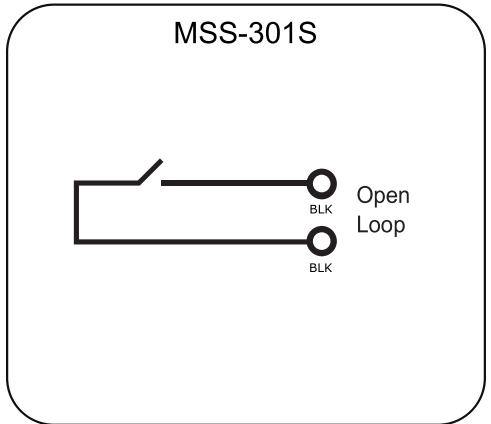
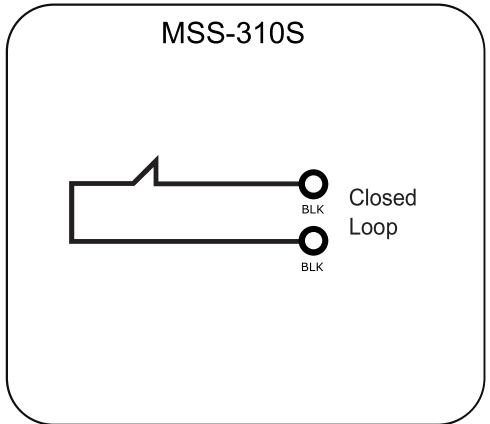
* To Order the UL10C classified/listed contacts (misc. fire door accessories, positive pressure tested.) add -FIRE suffix to the part number. MSS-300C-FIRE series is rated at 3 hours.

MSS-300S and MSS-300S-FIRE Series (Surface Mount)



	<p>NOMENCLATURE</p> <p>Surface mount</p> <p># of closed loops</p> <p>MSS - 3 x x S</p> <p>Triple loop capacity</p> <p># of open loops</p>	<p>SIZE</p> <p>2" (51mm)</p> <p>4x #8 FLAT HEAD</p> <p>1" (25.4mm)</p> <p>.3" (7.7mm)</p> <p>.3" (7.7mm) MAX GAP</p> <p>1/2" (12.7mm)</p> <p>1.5" (38mm)</p>	<p>Specifications</p> <p>Max Current: 0.25A Resistive</p> <p>Max Voltage: 30 VDC</p> <p>Max Power: .25 W Resistive</p> <p>Max Gap: .3" [7mm]</p> <p>Suitable for outdoor use</p> <hr/> <p>22 AWG - 24" [61cm]</p> <p>Armored Cable</p> <p>Housing: Aluminum</p> <p>See Page 46 for Custom Cable Length</p>
--	--	---	---

NOTE: CONTACT STATE SHOWN WITH TARGET MAGNET IN PLACE

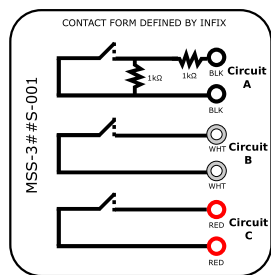
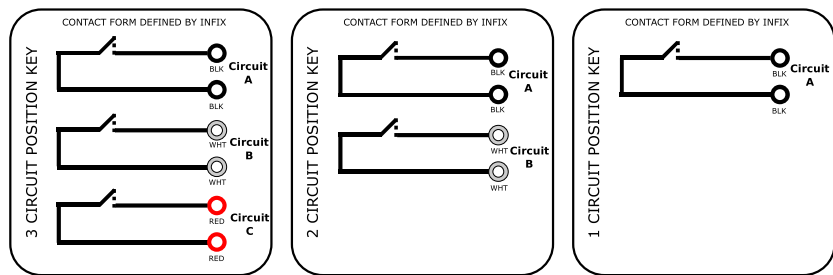


see page 16 for accessories

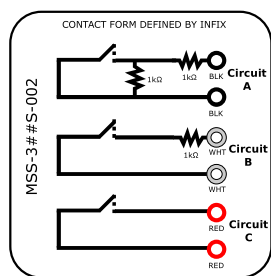
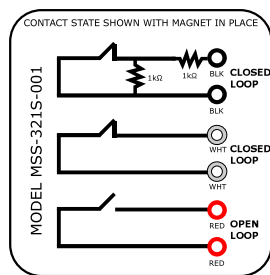
* To Order the UL10C classified/listed contacts (misc. fire door accessories, positive pressure tested.) add -FIRE suffix to the part number. MSS-300S-FIRE series is rated at 3 hours.



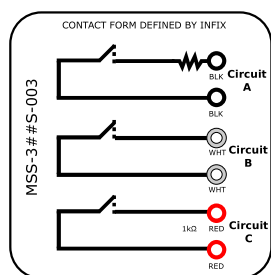
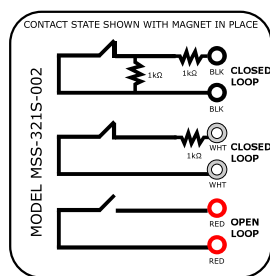
MSS-300S and MSS-300S-FIRE Series - End-Of-Line Resistor Standard Models (-### suffix)



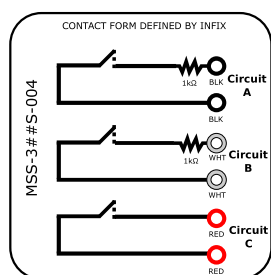
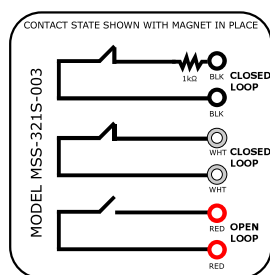
MSS-3##S-001:
Series & Parallel 1k resistors on circuit A. One instance shown at right:



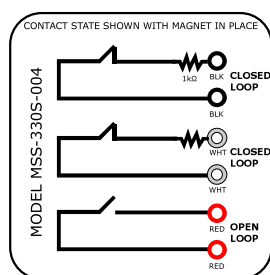
MSS-3##S-002:
Series & Parallel 1k resistors on circuit A, Series 1k resistor on Circuit B. One instance shown at right:



MSS-3##S-003:
Series 1k resistor on Circuit A. One instance shown at right:



MSS-3##S-004:
Series 1k resistor on Circuit A and on Circuit B. One instance shown at right:



see page 16 for accessories

call to verify the proposed part number (+1 262-347-0711)

* To Order the UL10C classified/listed contacts (misc. fire door accessories, positive pressure tested.) add -FIRE suffix to the part number. MSS-300S-FIRE series is rated at 3 hours.

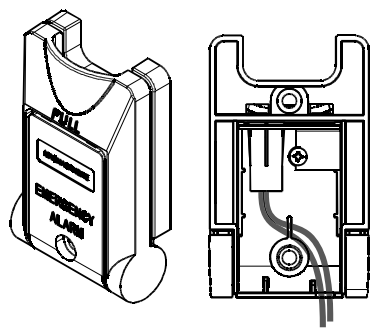
MK-3045 Series

P/N: MK-3045L
KIT: Magnasphere Panic Switch Kit
w/ Leads - Closed Loop
QTY: 1 kit (fasteners included)

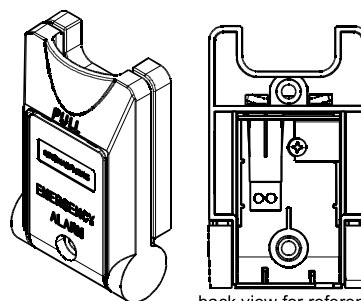
P/N: MK-3045L-OL
KIT: Magnasphere Panic Switch Kit
w/ Leads - Open Loop
QTY: 1 kit (fasteners included)

P/N: MK-3045T
KIT: Magnasphere Panic Switch Kit
w/ Terminals - Closed Loop
QTY: 1 kit (fasteners included)

P/N: MK-3045T-OL
KIT: Magnasphere Panic Switch Kit
w/ Terminals - Open Loop
QTY: 1 kit (fasteners included)



back view for reference
(cover plate not shown)

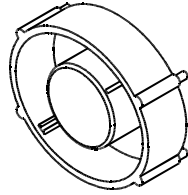


back view for reference
(cover plate not shown)

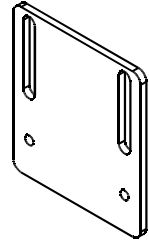


MSS Series Accessories and Kits

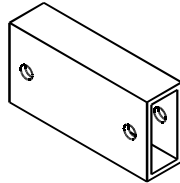
P/N : MSS-1605
DESCRIPTION: Channel Magnet
for MSS-200C and MSS-300C
QTY: 1



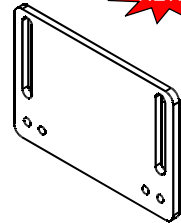
P/N: 1768
DESCRIPTION: MSS-300S
Extension Bracket
(.093" thk) w/ Threaded Holes
Slot CTC: .94"
QTY:1



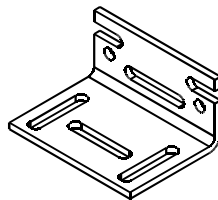
P/N : MSS-1595
DESCRIPTION: 1/2" Thick,
Spacer for MSS-300S
QTY: 1



P/N: 1769
DESCRIPTION: MSS-K22, K24, K22S,
K24S, 53SL, 54SL & 63S
Extension Bracket
(.093" thk) w/ Threaded Holes
Slot CTC: .94"
QTY:1



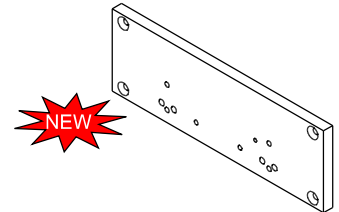
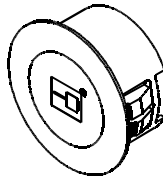
P/N : MSS-1643
DESCRIPTION: MSS-300S - 1"x1.5"L
Bracket (.093" thk) w/ Threaded Holes
QTY: 1



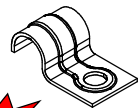
P/N : 1798
KIT: MSS-300S Adapter Plate for BEA
Glass Door Bracket (10UBRACKETUL)
QTY: 1



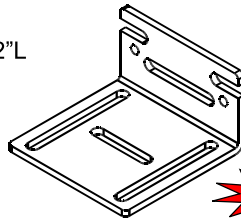
P/N : MSS-1694
DESCRIPTION: MSS-300C
Extended Reach / Gap Magnet Module
Increases the switch operation gap to 5/8"
QTY: 1



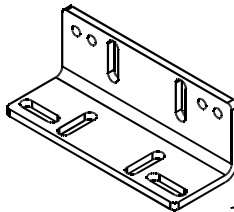
P/N : 1807
KIT: Armored Cable Routing Clamps
QTY: 3pcs



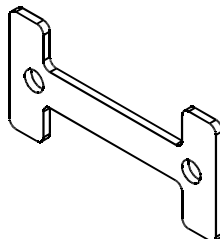
P/N: 1642
DESCRIPTION: MSS-300S - 1.14"x2"L
Extended L Bracket (.093" thk)
w/ Threaded Holes
QTY:1



P/N: 1644
DESCRIPTION: MSS-K22, K24, K22S,
K24S, 53SL, 54SL & 63S - .93"x.93"
L Bracket (.093" thk) w/ Threaded Holes
QTY:1



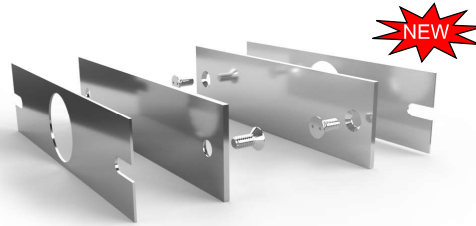
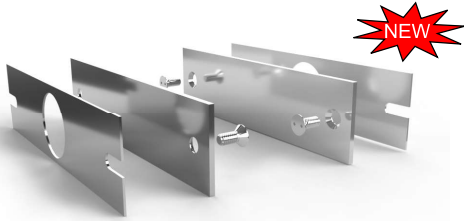
P/N : 1767
DESCRIPTION: MSS300S
Aluminum Spacers (1/16" thk)
QTY: 4



MSS Series Accessories and Kits

P/N: 1757 - (Contact Not Included)
 KIT: MSS-300C Series Recessed Mortise Mount Kit,
 w/ Tamper Resistant Spanner Machine Screws
 QTY: 1 kit (fasteners included)

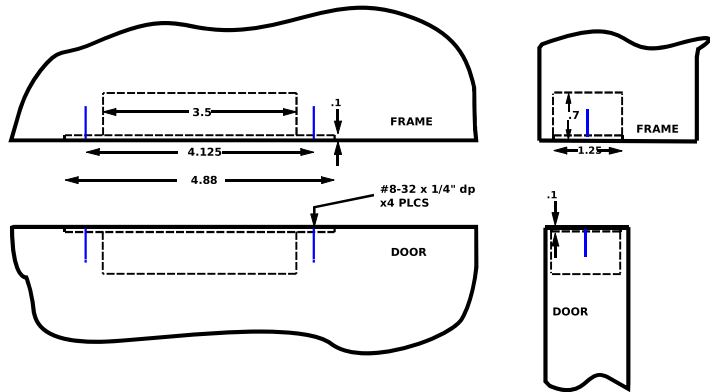
P/N: 1760 - (Contact Not Included)
 KIT: MSS-300C Series Recessed Mortise Mount Kit
 QTY: 1 kit (fasteners included)





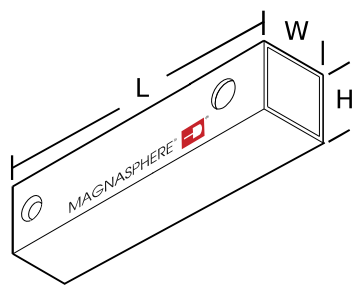
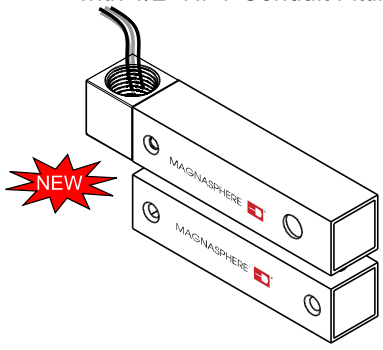
P/N: MSS-1790 - (Contact Included)
 KIT: Recessed Mortise Mount Kit
 w/ MSS-301C-WG (Form A - Wide Gap)
 QTY: 1 kit (fasteners included)



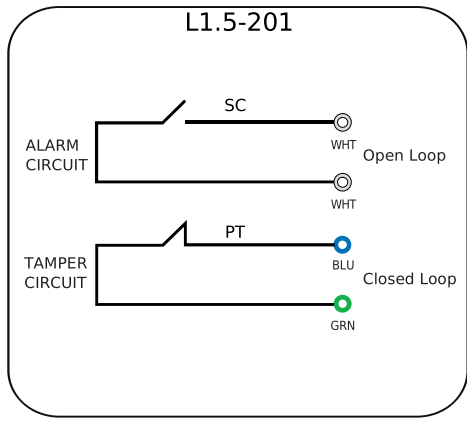
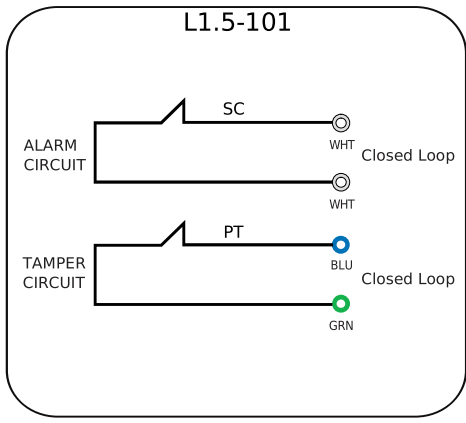
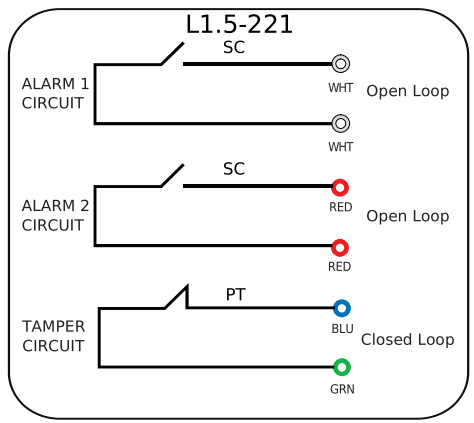
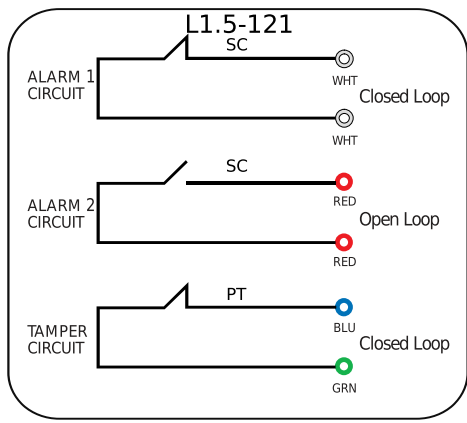
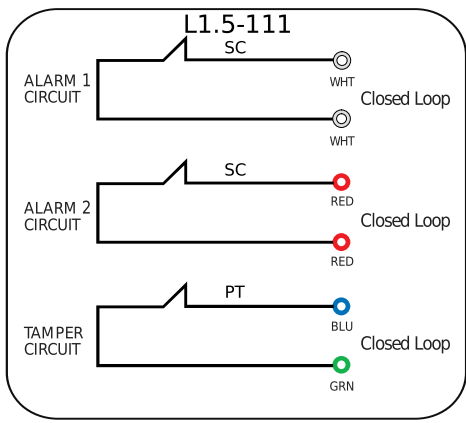
Preparation for 1757, 1760 and MSS-1790 Kit



HSL-1.5 Series - UL634 High Security Level 1 Surface Mount Contacts LISTED

<p>L1.5-###-* Series with Armored Cable</p>  <p> * To Order the UL10C classified/listed contacts (misc. fire door accessories, positive pressure tested.) add -FIRE suffix to the part number. HS-L1.5-XXX-FIRE series is rated at 45 minutes.</p>	<p>SIZE</p>  <p>Switch & Magnet Modules: 4.25" [107.9mm] L x 1" [25.4mm] W 1" [25.4mm] H</p>	<p>Specifications Housing: Aluminum Wire Lead Type: Color-Coded 22 AWG Stranded Max Current: 0.25 A Resistive Max Voltage: 30 VDC Max Power: 0.250 W Max Gap: .25" 18"L Armored Cable See Page 46 for Custom Cable Length Suitable for outdoor use</p>
<p>L1.5-###-8## Series with 1/2" NPT Conduit Fitting</p>  <p>NEW</p>	<p>Switch Module: 5.25" [133.4mm] L x 1" [25.4mm] W 1" [25.4mm] H</p> <p>Magnet Module: 4.25" [107.9mm] L x 1" [25.4mm] W 1" [25.4mm] H</p>	<p>Specifications Housing: Aluminum Wire Lead Type: Color-Coded 22 AWG Stranded Max Current: 0.25 A Resistive Max Voltage: 30 VDC Max Power: 0.250 W Max Gap: .25" Color-Coded, 22 AWG Stranded 36" [91cm] Leads Suitable for outdoor use</p>

NOTE: CONTACT STATE SHOWN WITH TARGET MAGNET IN PLACE

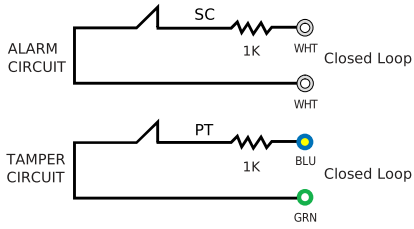


Legend / Notes

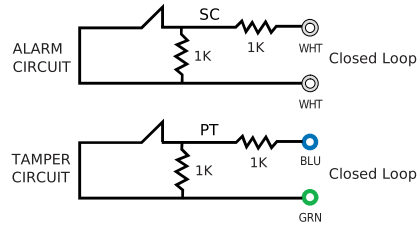
SC = Secure Contact
 PT = Pry Tamper

L1.5-101-### or L1.5-101-8## (see page18) EOL Resistor Schematics

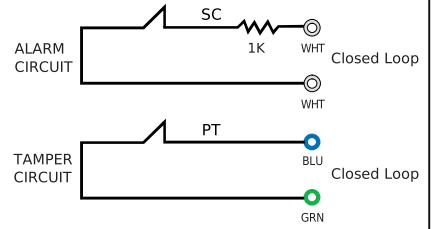
L1.5-101-001



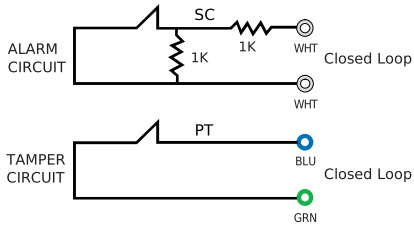
L1.5-101-002



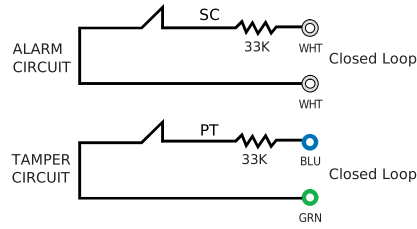
L1.5-101-003



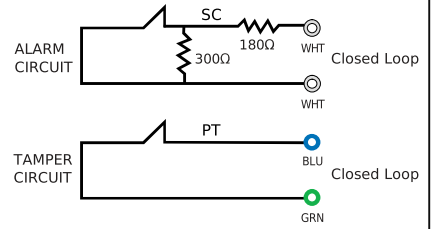
L1.5-101-004



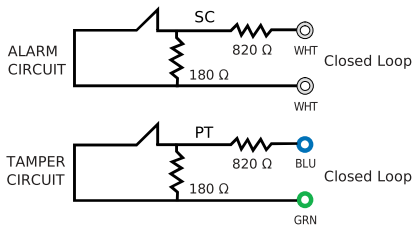
L1.5-101-005



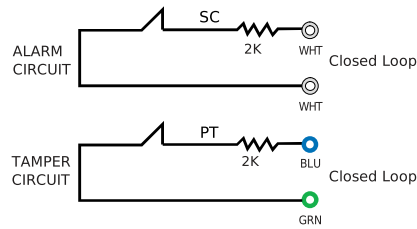
L1.5-101-006



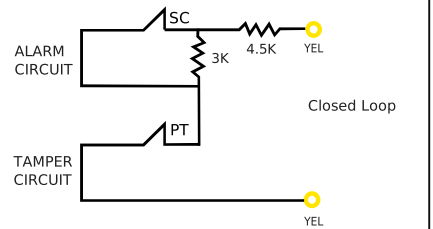
L1.5-101-008



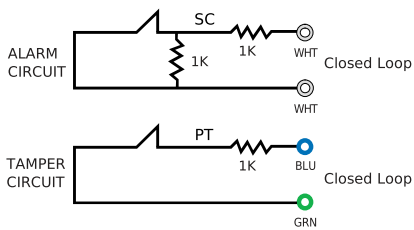
L1.5-101-009



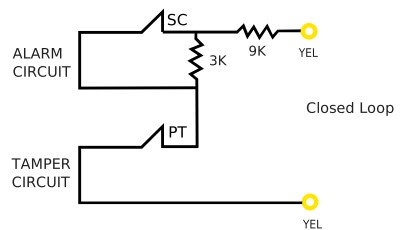
L1.5-101-010



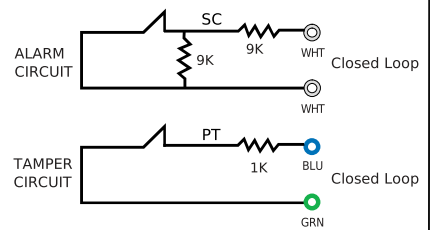
L1.5-101-014



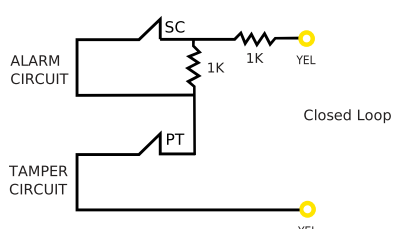
L1.5-101-016



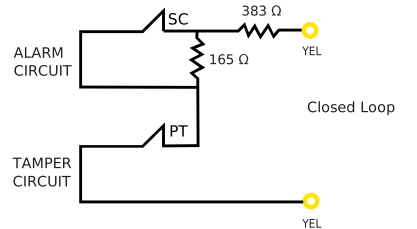
L1.5-101-022



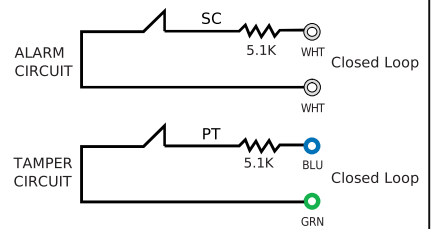
L1.5-101-023



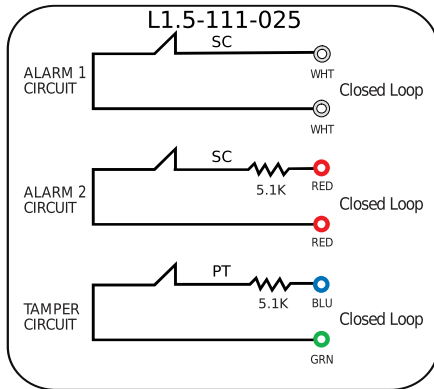
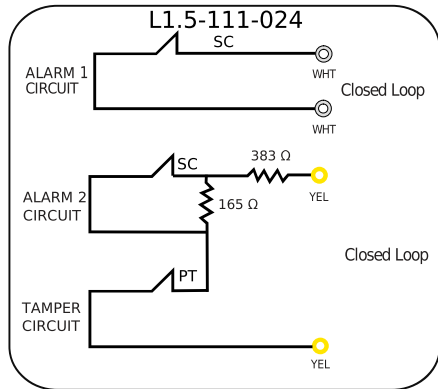
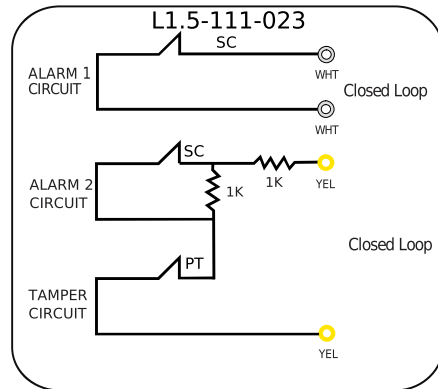
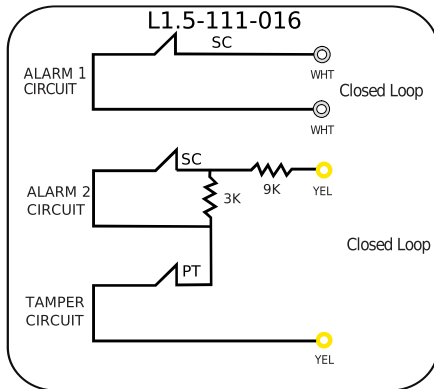
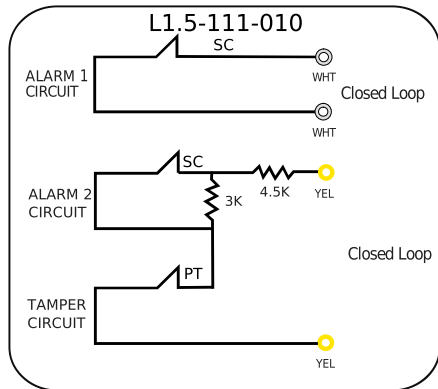
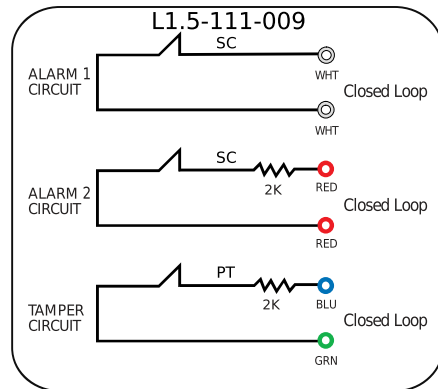
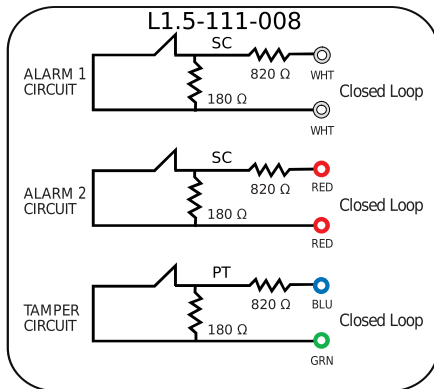
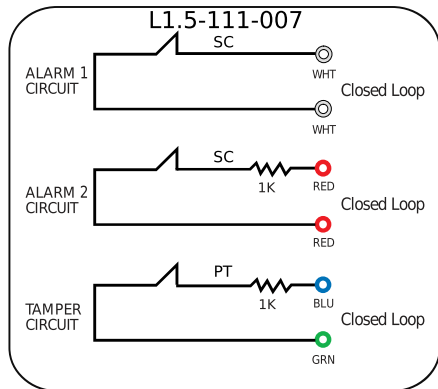
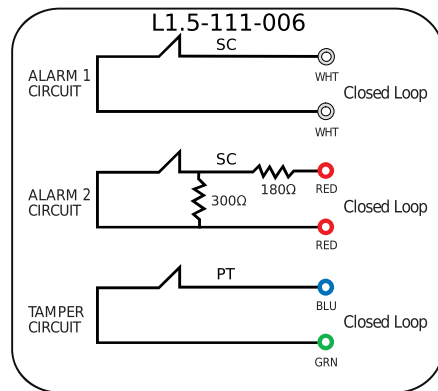
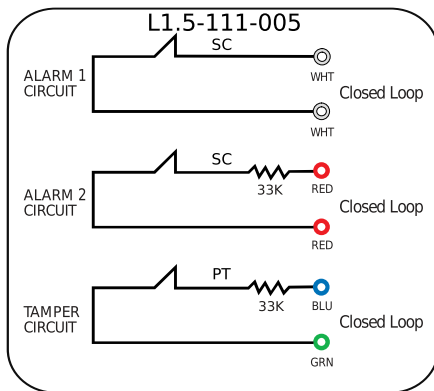
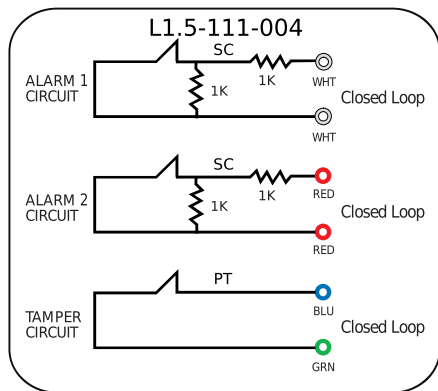
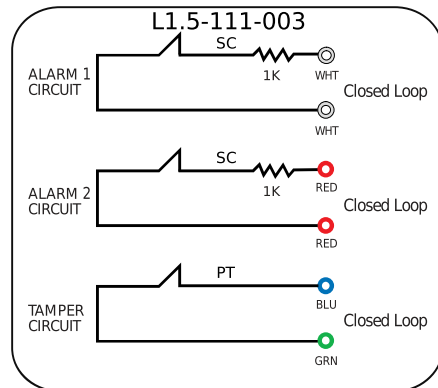
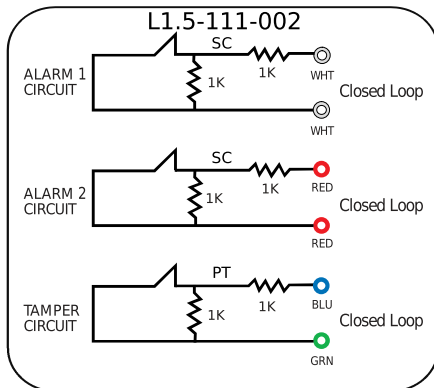
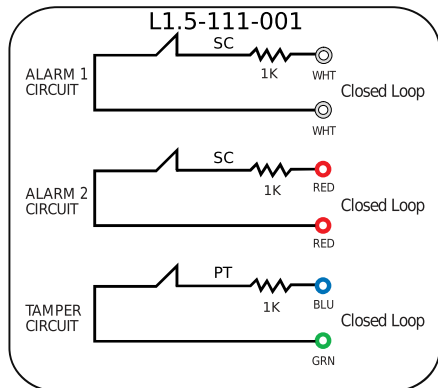
L1.5-101-024



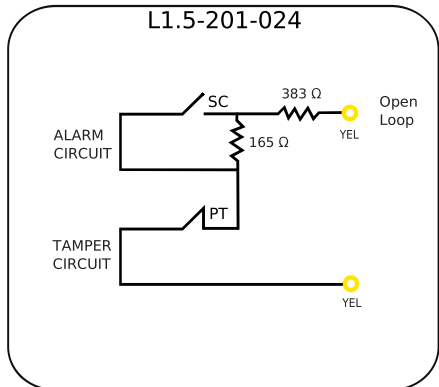
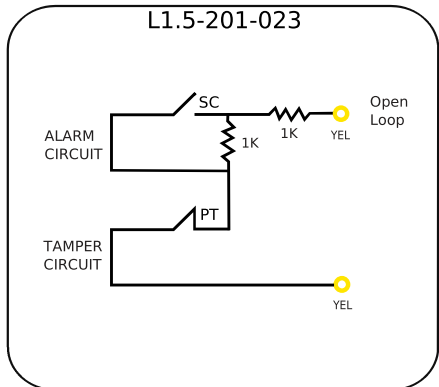
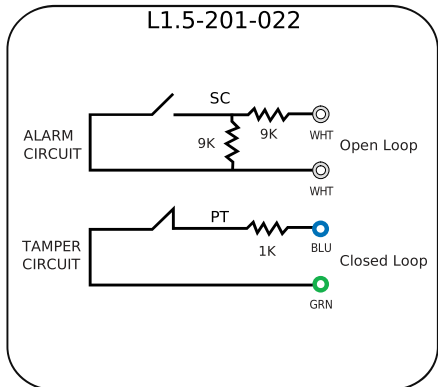
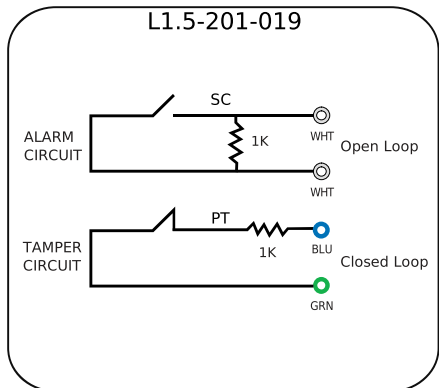
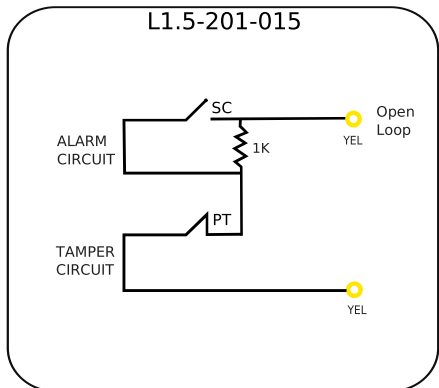
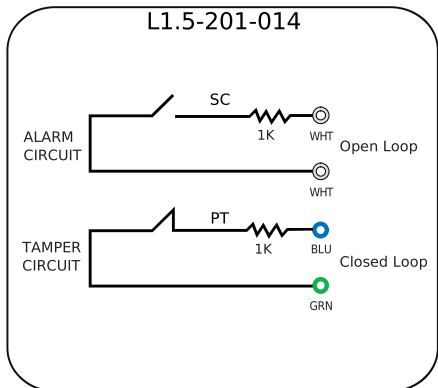
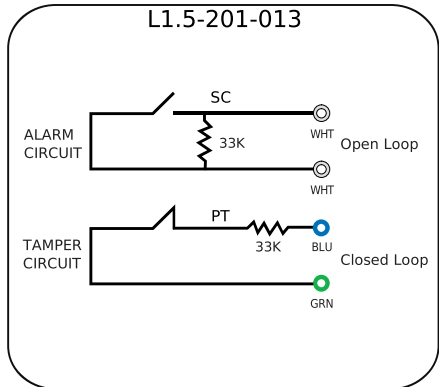
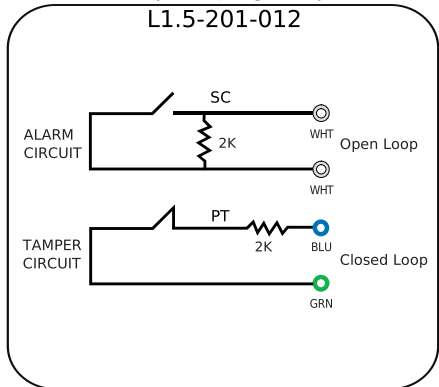
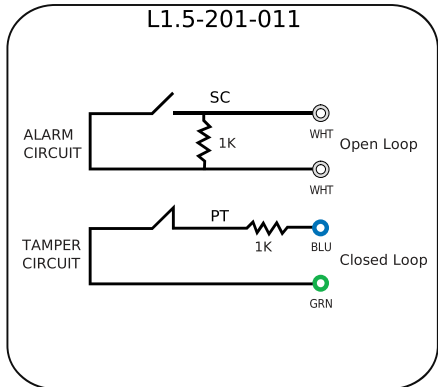
L1.5-101-025



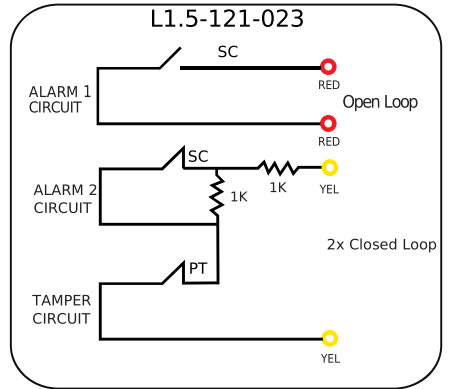
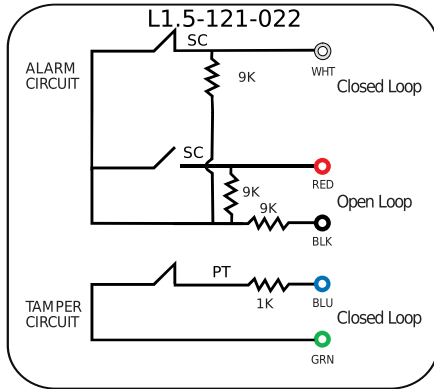
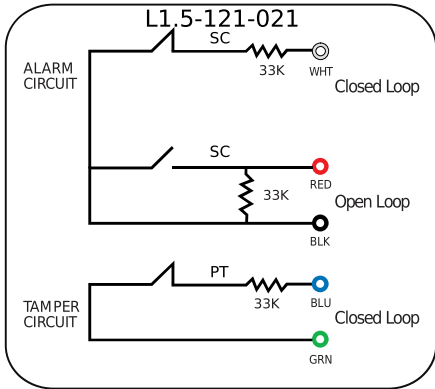
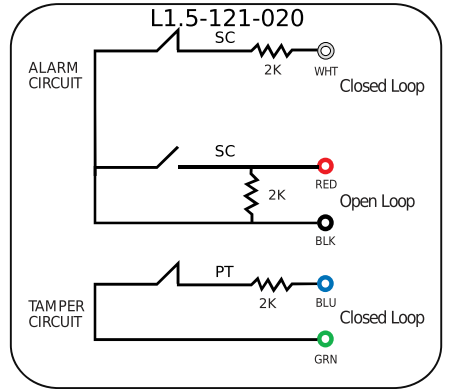
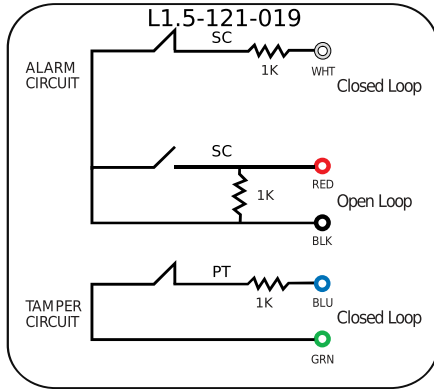
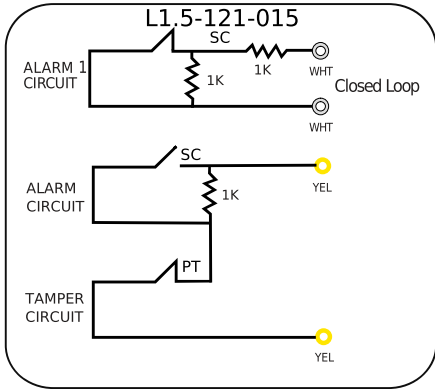
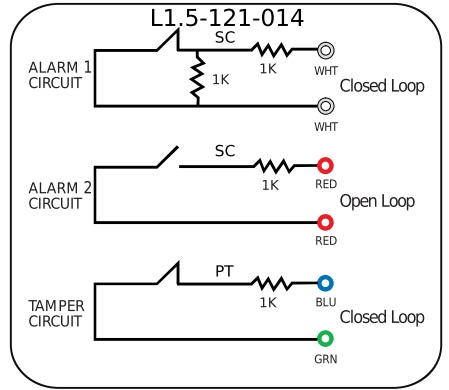
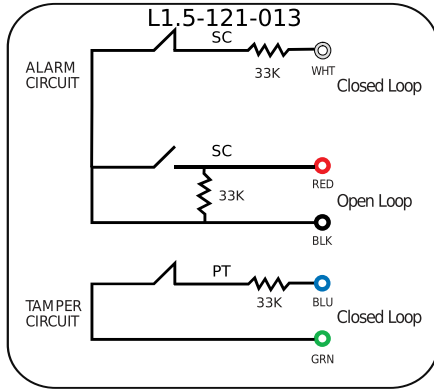
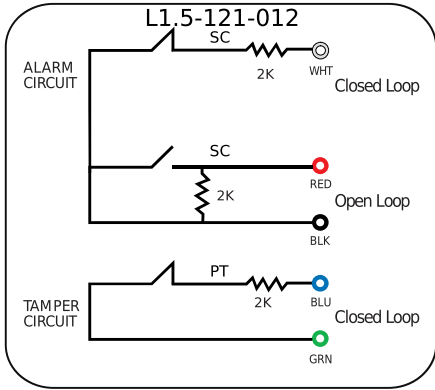
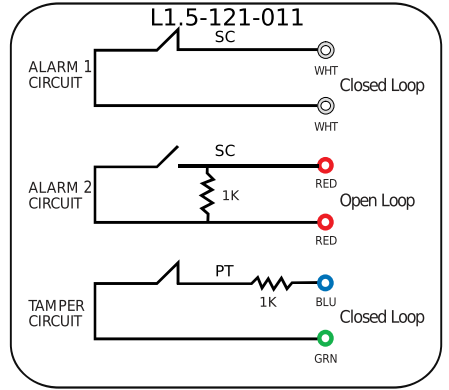
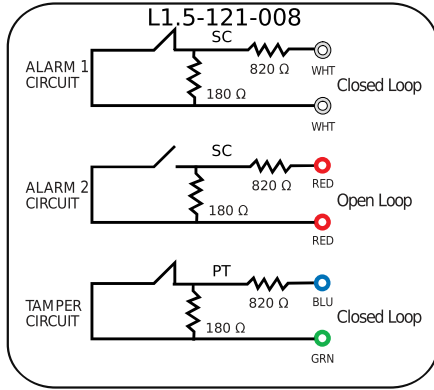
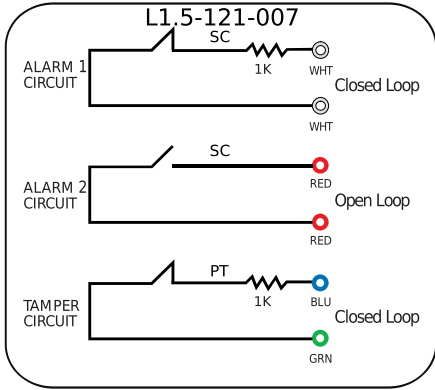
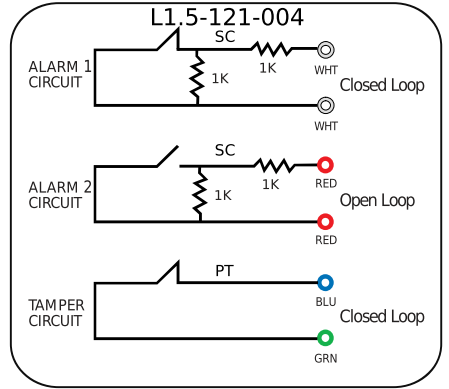
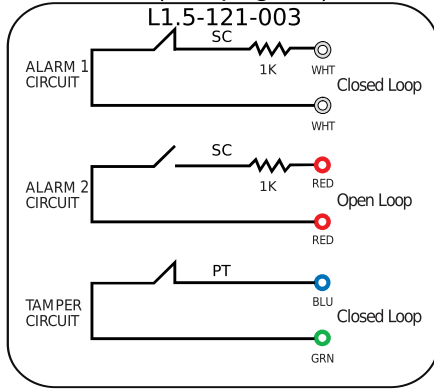
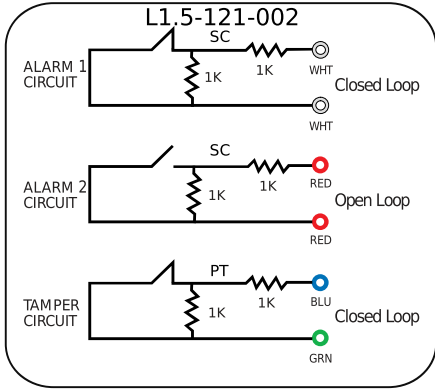
L1.5-111-### or L1.5-111-8### (see page18) EOL Resistor Schematics



L1.5-201-### or L1.5-201-8## (see page18) EOL Resistor Schematics

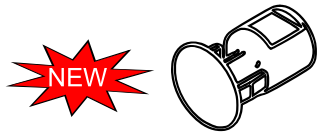


L1.5-121-### or L1.5-121-8## (see page18) EOL Resistor Schematics

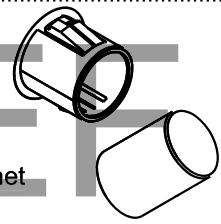


HSL-1.5 Accessories

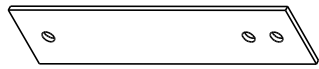
P/N : 1854
KIT: Integrated cap/magnet for HSS, L1.5 series
(cross-compatible with legacy removal tamper cap and magnet,
shown on right)
QTY: 3pcs



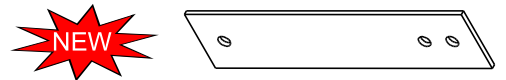
P/N : HS-1251 (legacy)
KIT: Removal Tamper Cap
QTY: 5pcs
P/N : HS-1250 (legacy)
KIT: Removal Tamper Magnet
QTY: 3pcs



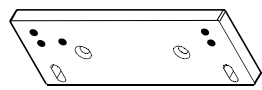
P/N : HS-1270
KIT: 1/16" Plastic Spacers for HSL-1.5
QTY: 4pcs



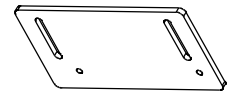
P/N : HS-1270-FIRE
KIT: 1/16" Aluminum Spacers for HSL-1.5
QTY: 4pcs



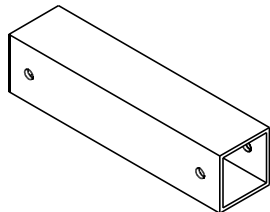
P/N : HS-1600
KIT: Bracket for HSL1.5 Direct
Replacment to 2700 Series
QTY: 1



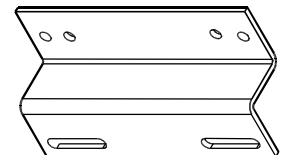
P/N : HS-1524
KIT: 1/8" Out-Swing Spacer for HS-L1.5
(For use with narrow door stops.)
QTY: 1pc



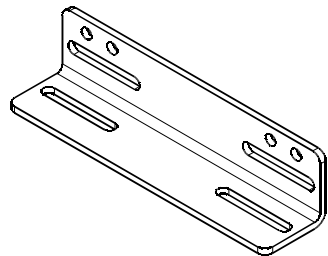
P/N : HS-1615
KIT: 1" x 1" Aluminum Spacer
QTY: 1



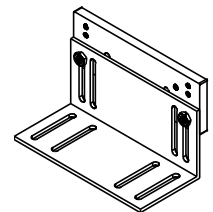
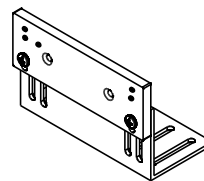
P/N : HS-1612
KIT: Z Bracket
QTY: 1



P/N : HS-1618
KIT: L1.5 L-Bracket
QTY: 1



P/N : HS-1616
KIT: L1.5 Extended L-Bracket Kit
QTY: 1



Orthographic Front View

Orthographic Back View

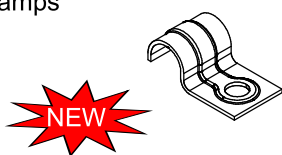
P/N : 1798
KIT: L1.5 Adapter Plate for BEA
Glass Door Bracket (10UBRACKETUL)
QTY: 1



P/N: D5030D (by GMI - GM International)
KIT: Intrinsically Safe Isolator
SIL 3 Switch/Proximity
Detector Repeater, Relay Output
QTY: 1
NOTE: Call to discuss
(+1 262-347-0711)



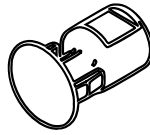
P/N : 1807
KIT: Armored Cable Routing Clamps
QTY: 3pcs



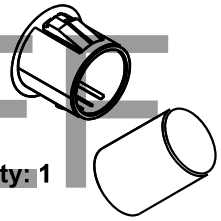
see pages 42 and 43 for Roll-Up and Overhead Door Brackets

REPLACEMENT INSTALLER COMPONENTS FOR HSL-1.5 SERIES - KIT P/N: 1542

Integrated Cap/Magnet
 (cross-compatible with
 legacy removal tamper cap and magnet,
 shown on right) / **QTY: 1**

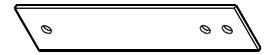


Pry-tamper Plugs (legacy)
 (Plastic) / **Qty: 2**



Pry-tamper Magnet (legacy)
 (Dia. 3/8" x 1/2" Length) / **Qty: 1**

Plastic Spacers (1/16" Thk.) / **Qty: 2**



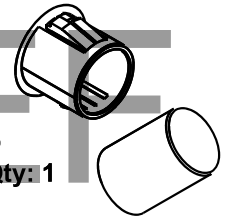
Poly Bag / **Qty:1**

REPLACEMENT INSTALLER COMPONENTS FOR HSL-1.5-FIRE SERIES - KIT P/N: 1542-FIRE

Integrated Cap/Magnet
 (cross-compatible with
 legacy removal tamper cap and magnet,
 shown on right) / **QTY: 1**

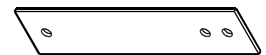


Pry-tamper Plugs (legacy)
 (Plastic) / **Qty: 2**



Pry-tamper Magnet (legacy)
 (Dia. 3/8" x 1/2" Length) / **Qty: 1**

Aluminum Spacers (1/16" Thk.) / **Qty: 2**



Poly Bag / **Qty:1**

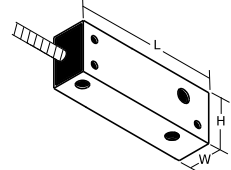
HSS-L2S (Single Alarm Contact) UL 634 Level 2 High Security Contacts (Surface Mount)



Specifications
 Aluminum Case: Silver-Gray Anodized
 Wire Lead Type: Color-Coded, 22 AWG Stranded
 Max Current: 0.25 A Resistive
 Max Voltage: 30 VDC
 Max Power: 0.250 W
 Operating Temperature: -40° C to +80°C
 Max Gap: 3/16" (Note: .125" Gap for UL634 Level 2 Installation)
 36" [91cm] Armored Cable, see page 46 for custom cable length
 Suitable for outdoor use

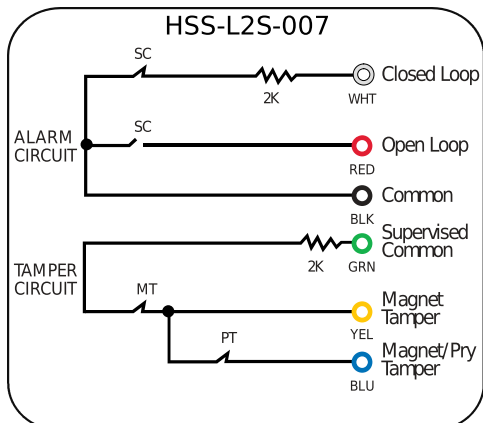
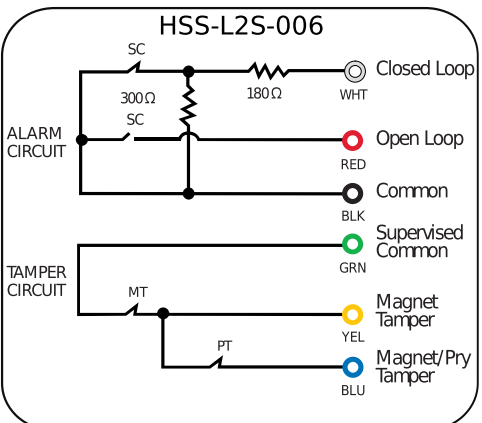
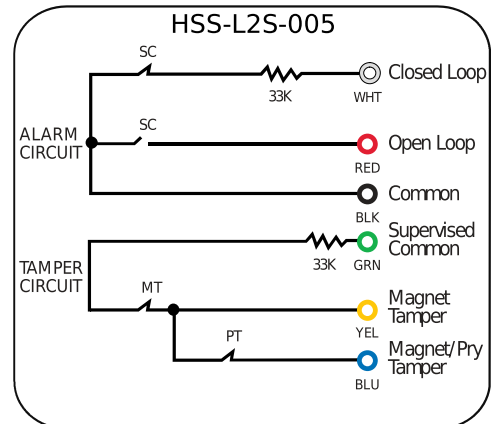
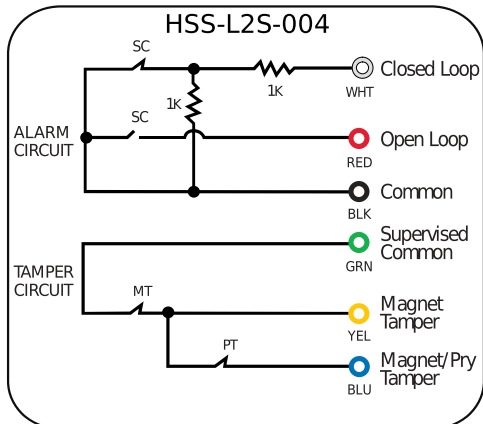
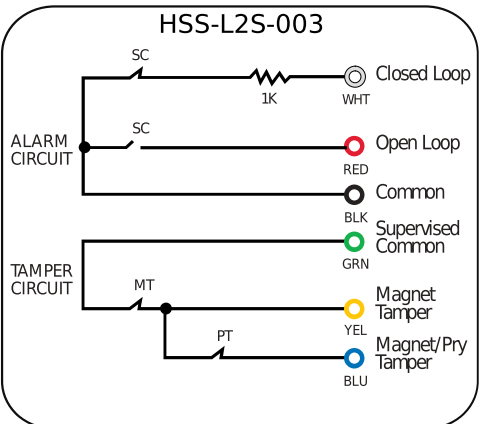
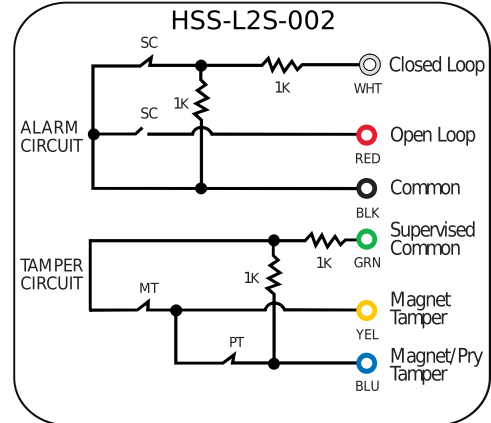
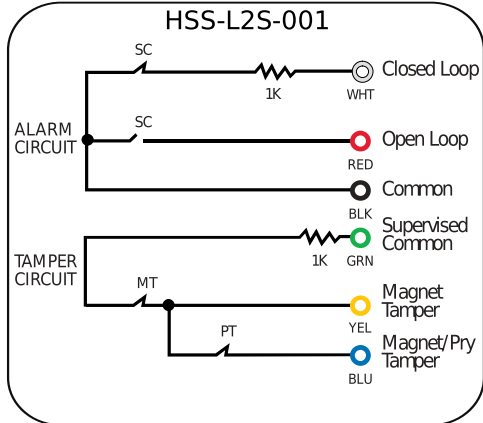
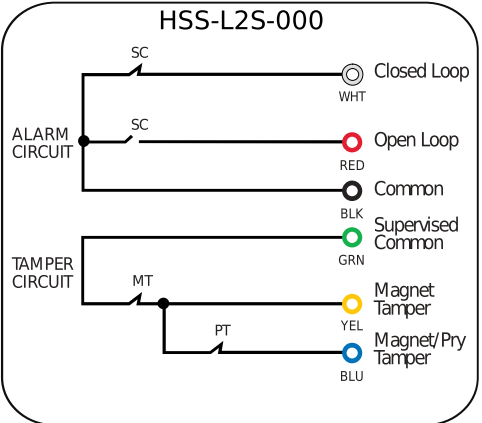


* To Order the UL10C classified/listed contacts (misc. fire door accessories, positive pressure tested.) add -FIRE suffix to the part number. HSS-L2S/D-XXX-FIRE series is rated at 20 minutes.



SIZE
 4.25"L x 1"W x 1.5"H
 [107.9mm L x 25.4mm W x 38.1mm H]

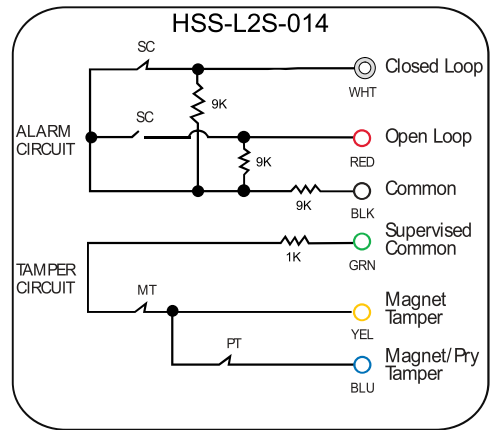
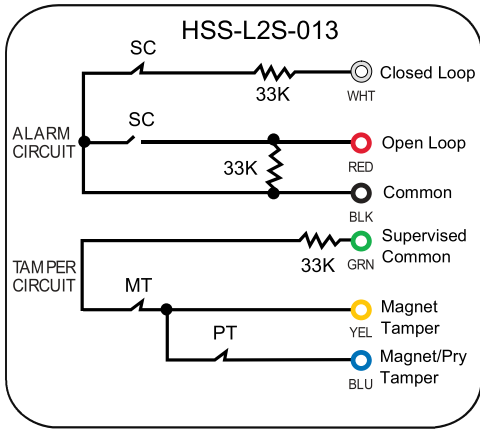
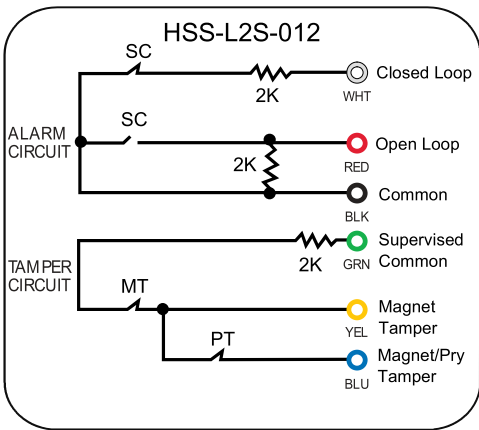
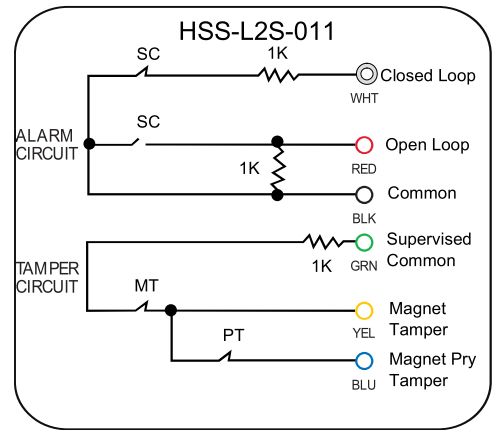
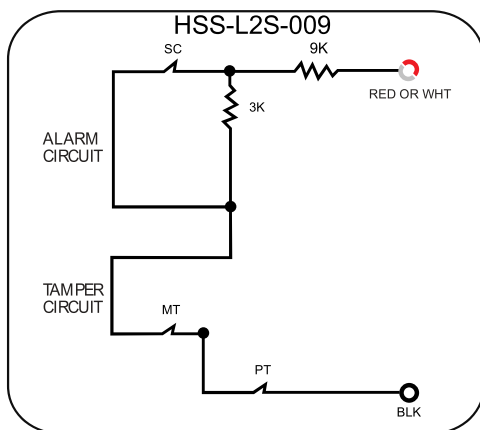
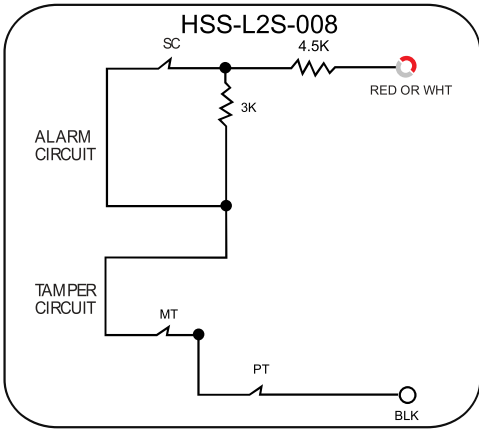
NOTE: CONTACT STATE SHOWN WITH TARGET MAGNET IN PLACE



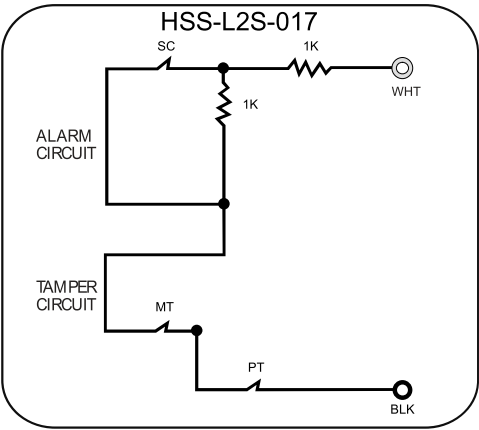
Legend / Notes
 SC = Secure Contact
 MT = Magnet Tamper
 PT = Pry Tamper
 ##K = Resistor

HSS-L2S (Single Alarm Contact) Continued UL 634 Level 2 High Security Contacts (Surface Mount)

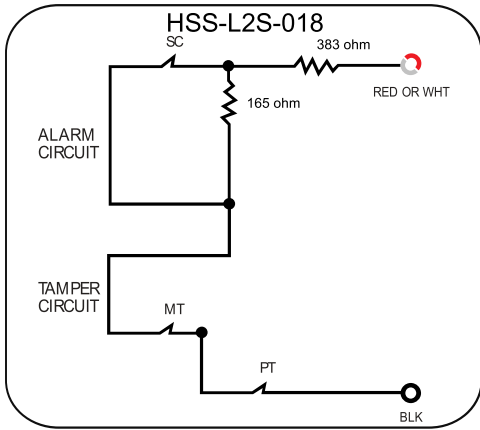
NOTE: CONTACT STATE SHOWN WITH TARGET MAGNET IN PLACE



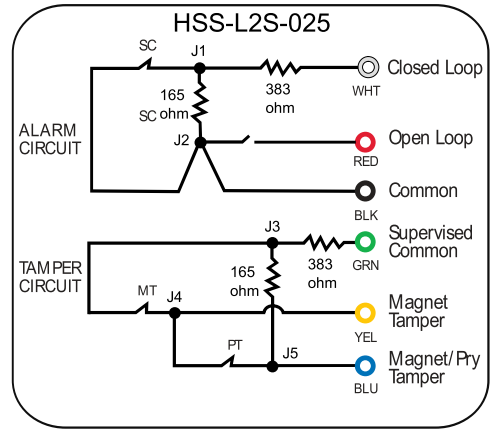
L2S-017
WE-1K-J1-LS-J2-MT-PT-BK:J1-1K-J2



L2S-018-RD/WE-0.383K-J1-LS-J2-
MT-PT-BK:J1-0.165K-J2



L2S-025-WE-0.383K-J1-LS-J2-BK:
J1-0.165K-J2-NS-RD:
GN-0.383K-J3-MT-J4-YW:
J3-0.165K-J5-BE-J5-PT-J4



Legend

SC = Secure Contact
MT = Magnet Tamper
PT = Pry Tamper
##K= Resistor
36" [91cm] armored cable,
(See Page 46 for Custom
Cable Length)



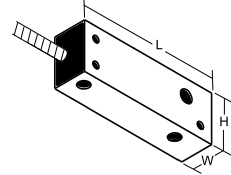
* To Order the UL10C classified/listed contacts (misc. fire door accessories, positive pressure tested.) add -FIRE suffix to the part number.
HSS-L2S/D-XXX-FIRE series is rated at 20 minutes.

HSS-L2D (Dual Alarm Contacts) UL 634 Level 2 High Security Contacts (Surface Mount) LISTED



Specifications

Aluminum Case: Silver-Gray Anodized
 Wire Lead Type: Color-Coded, 22 AWG Stranded
 Max Current: 0.25 A Resistive
 Max Voltage: 30 VDC
 Max Power: 0.250 W
 Operating Temperature: -40° C to +80° C
 Max Gap: 3/16" (Note: .125" Gap for UL634 Level 2 Installation)
 36" [91cm] Armored Cable, see page 46 for custom cable length
 Suitable for outdoor use



SIZE

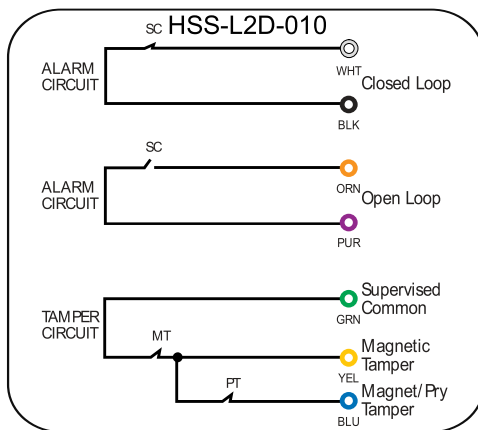
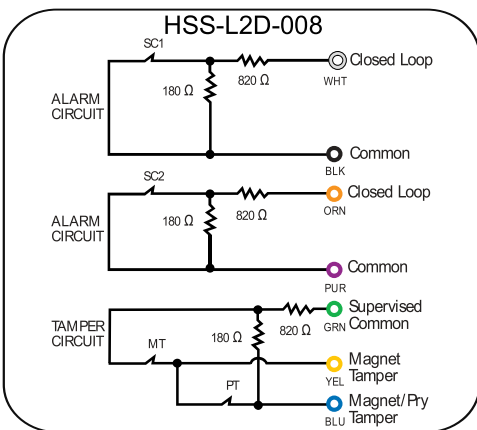
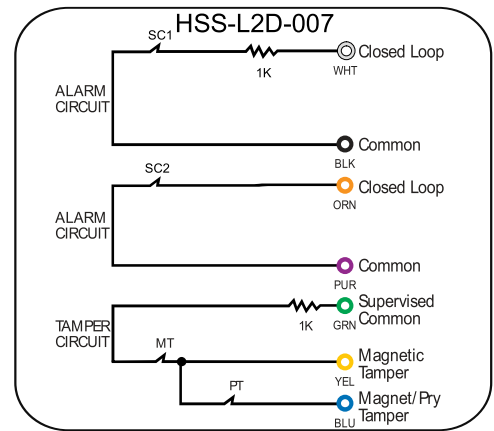
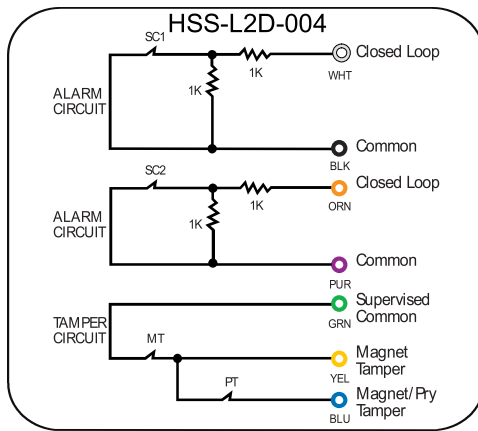
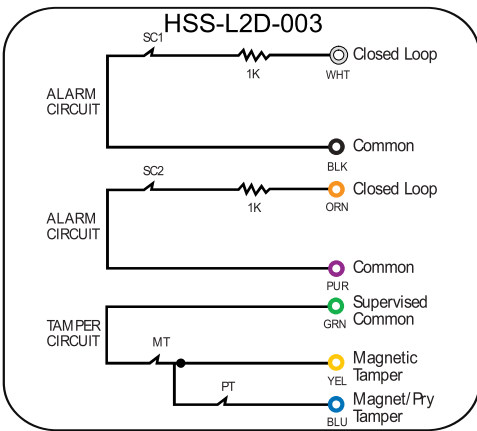
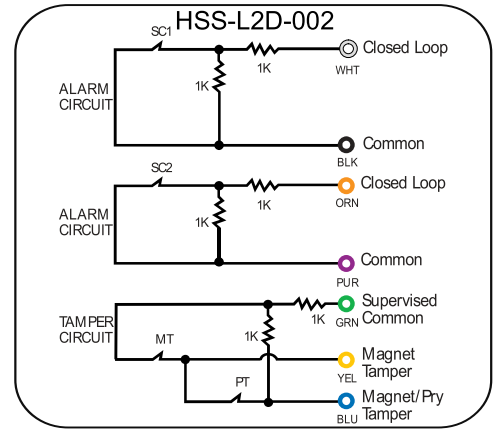
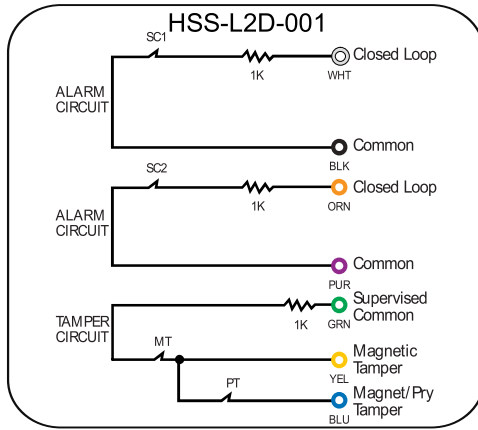
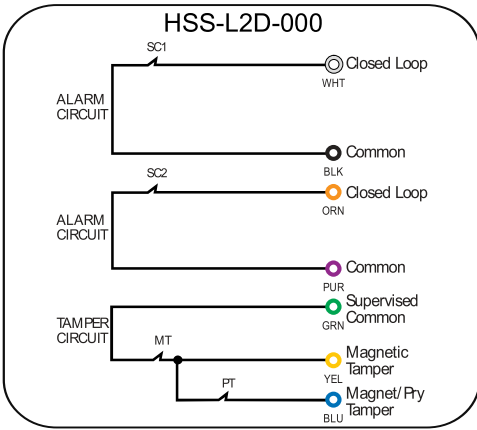
4.25"L x 1"W x 1.5"H

[107.9mm L x 25.4mm W x 38.1mm H]



* To Order the UL10C classified/listed contacts (misc. fire door accessories, positive pressure tested.) add -FIRE suffix to the part number.
 HSS-L2S/D-XXX-FIRE series is rated at 20 minutes.

NOTE: CONTACT STATE SHOWN WITH TARGET MAGNET IN PLACE

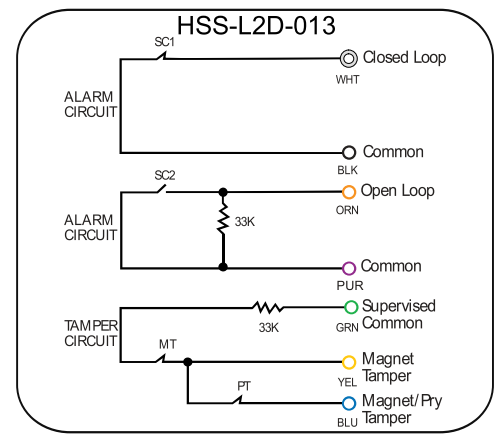
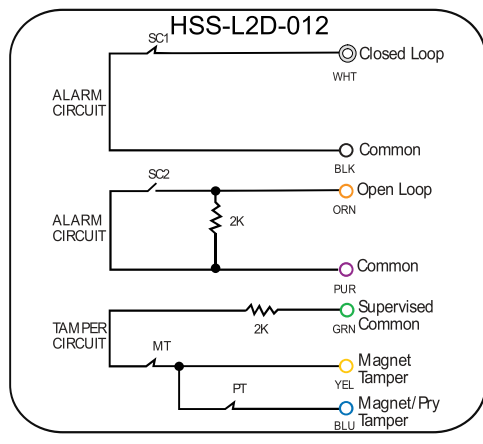
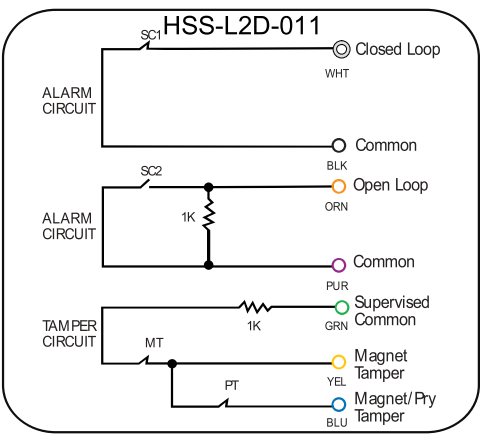


Legend / Notes

SC = Secure Contact
 MT = Magnet Tamper
 PT = Pry Tamper
 ##K = Resistor

HSS-L2D (Dual Alarm Contacts) Continued
 UL 634 Level 2 High Security Contacts (Surface Mount)

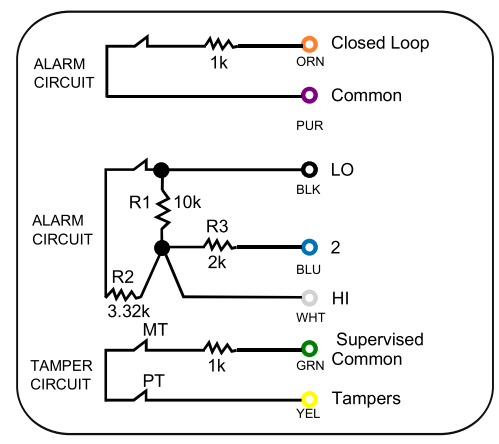
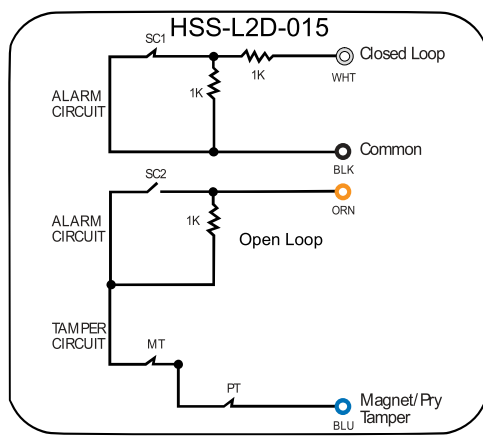
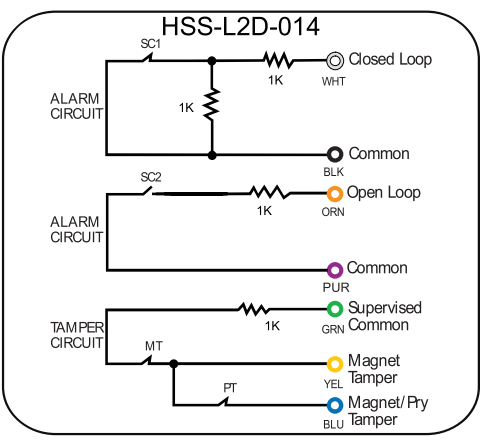
NOTE: CONTACT STATE SHOWN WITH TARGET MAGNET IN PLACE



L2D-014-
 WE-1K-J1-LS-J2-BK:J1-1K-J2:OE-1K-LS-PE:GN-1K-MT-J3-YW:J3-PT-BE

L2D-015
 WE-1K-J1-LS-J2-BK:J1-1K-J2:OE-J3-NS-J4-MT-PT-BE:J3-1K-J4

HSS-L2D-020
 OE-1K-LS-PE:BK-J1-LS-3.32K-J2-WE:J1-10K-J2-2K-BE



Legend

SC = Secure Contact
 MT = Magnet Tamper
 PT = Pry Tamper
 ##K = Resistor

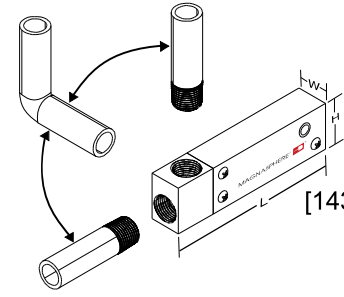
36" [91cm] Armored Cable,
 (See Page 46 for Custom Cable Length)

* To Order the UL 10C classified/listed contacts (misc. fire door accessories, positive pressure tested,) add -FIRE suffix to the part number. HSS-L2S/D-XXX-FIRE series is rated at 20 minutes.

HSS 800 Series UL 634 Level 2 High Security Contacts (Surface Mount w/ Conduit Fitting)



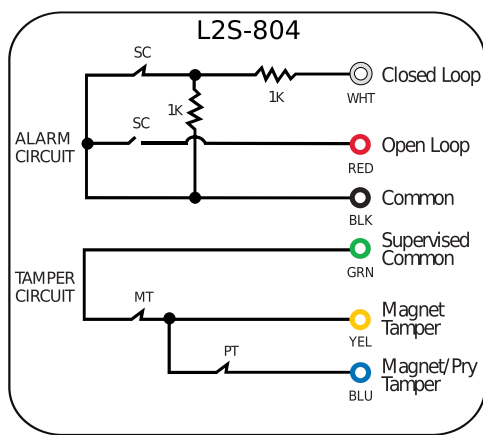
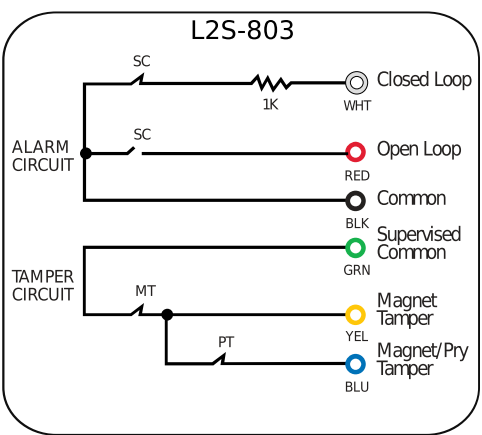
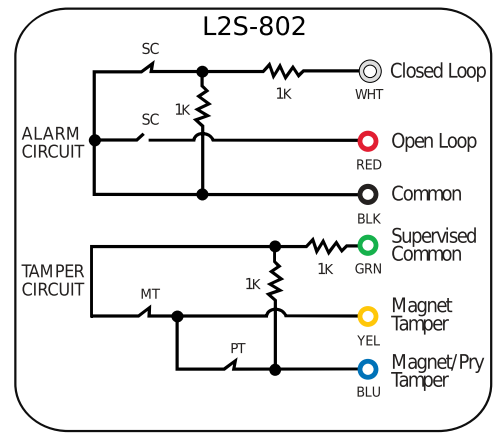
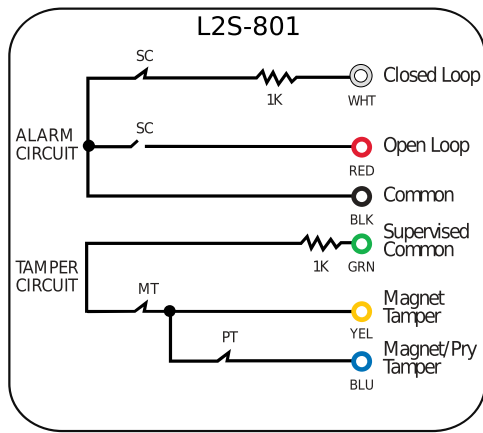
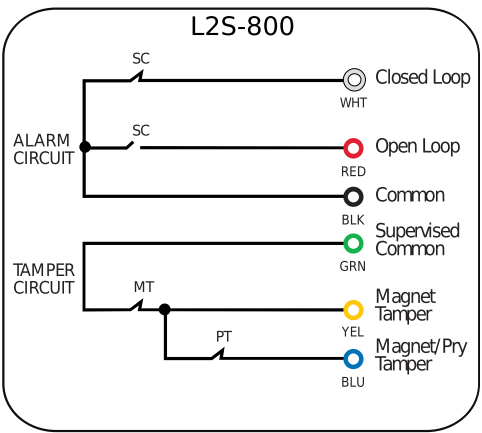
Specifications
 Aluminum Case: Silver-Gray Anodized
 Wire Lead Type: Color-Coded, 22 AWG Stranded
 36" [91cm] Leads
 Max Current: 0.25 A Resistive
 Max Voltage: 30 VDC
 Max Power: 0.250 W
 Operating Temperature: -40° C to +80° C
 Max Gap: 3/16" (Note: .125" Gap for UL634 Level 2 Installation)
 Suitable for outdoor use



SIZE
 5.6"L x 1"W x 1.5"H
 [143mm L x 25.4mm W x 38.1mm H]

Dual fitting note: either or both

Available in all L2D / L2S Schematic Variants

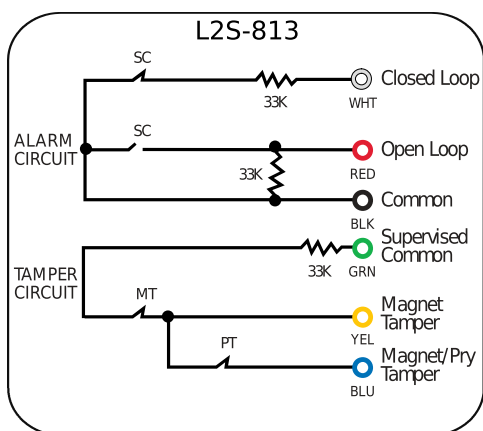
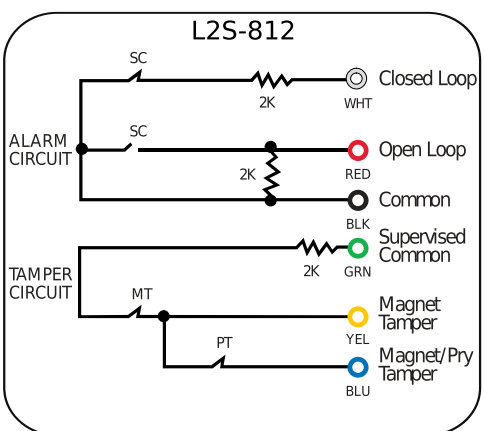
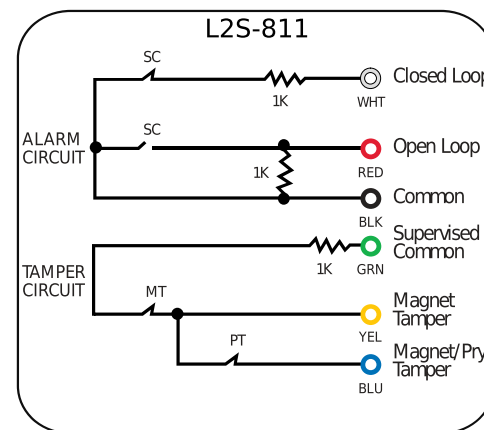
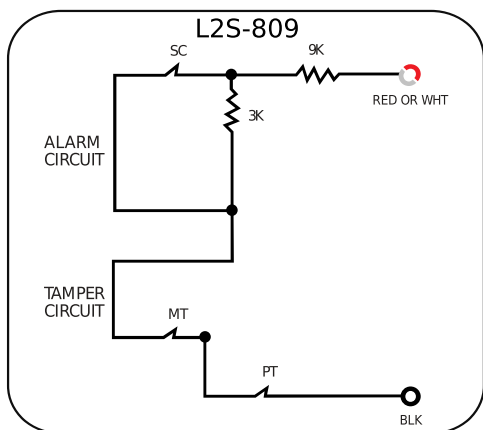
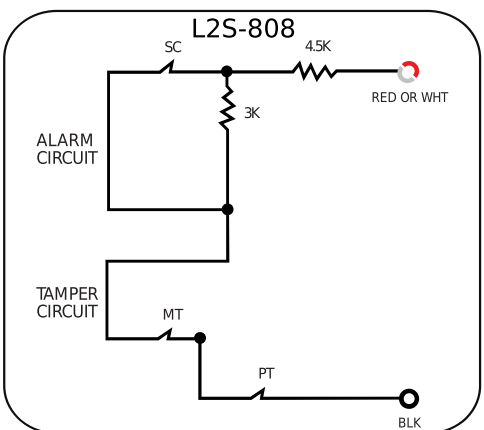
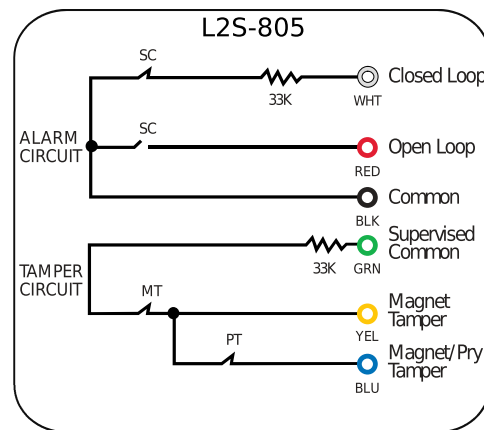
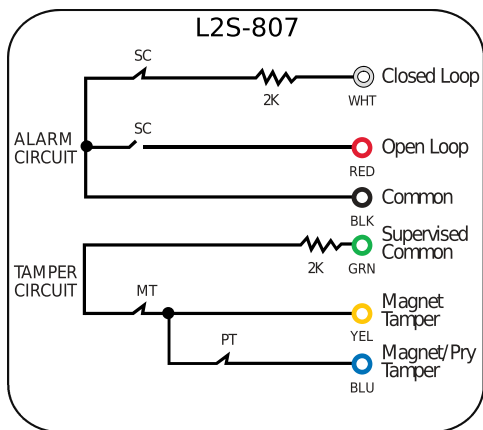
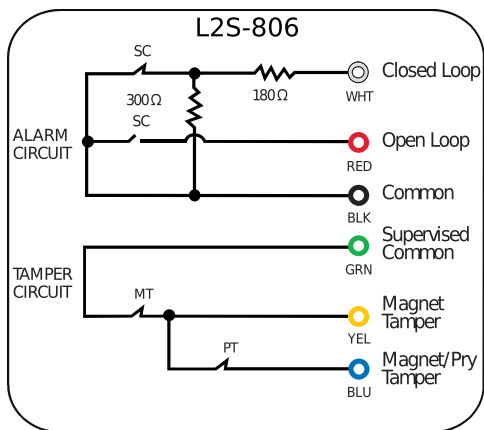


Legend / Notes

SC = Secure Contact
 MT = Magnet Tamper
 PT = Pry Tamper
 ##K = Resistor

L2S-800 (Single Alarm Contact) Continued
 UL 634 Level 2 High Security Contacts (Surface Mount)

NOTE: CONTACT STATE SHOWN WITH TARGET MAGNET IN PLACE



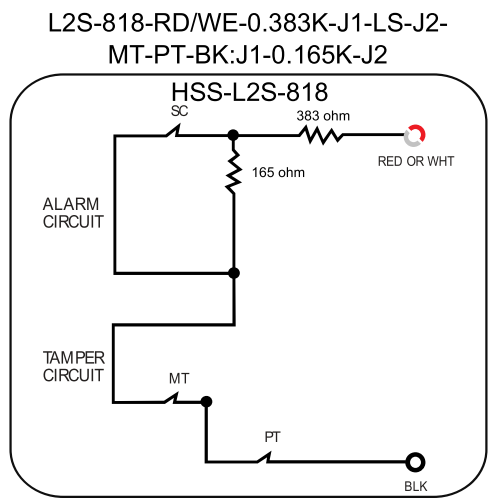
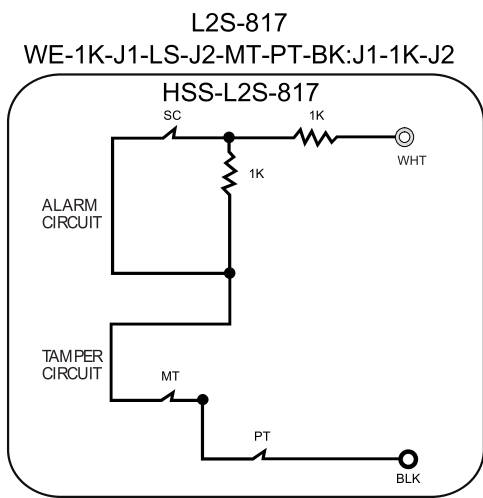
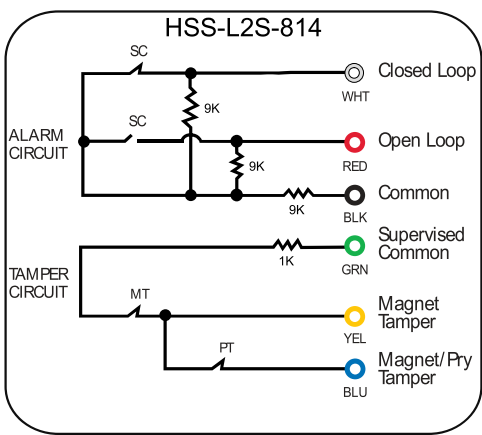
Legend / Notes

SC = Secure Contact
 MT = Magnet Tamper
 PT = Pry Tamper
 ##K = Resistor

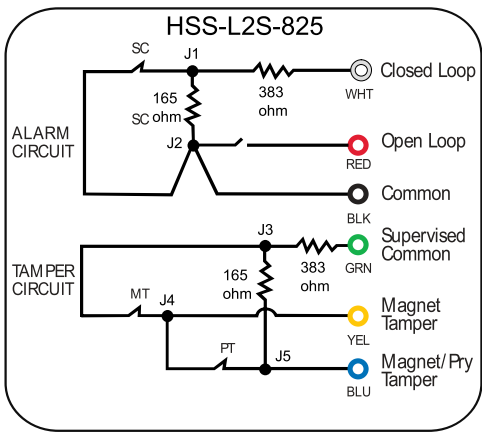
36" [91cm] Leads

L2S-800 (Single Alarm Contact) Continued
UL 634 Level 2 High Security Contacts (Surface Mount)

NOTE: CONTACT STATE SHOWN WITH TARGET MAGNET IN PLACE



L2S-825-WE-0.383K-J1-LS-J2-BK:
J1-0.165K-J2-NS-RD:
GN-0.383K-J3-MT-J4-YW:
J3-0.165K-J5-BE-J5-PT-J4



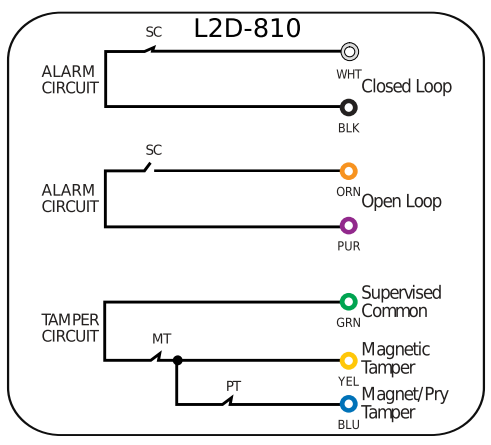
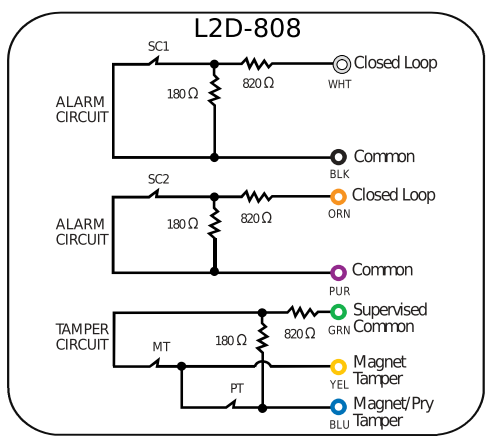
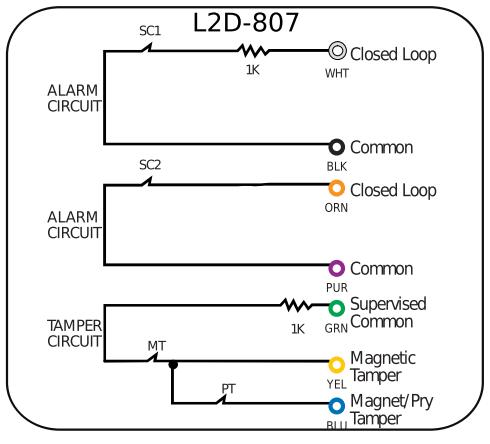
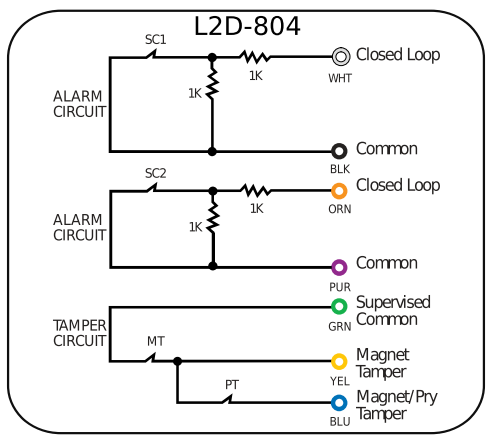
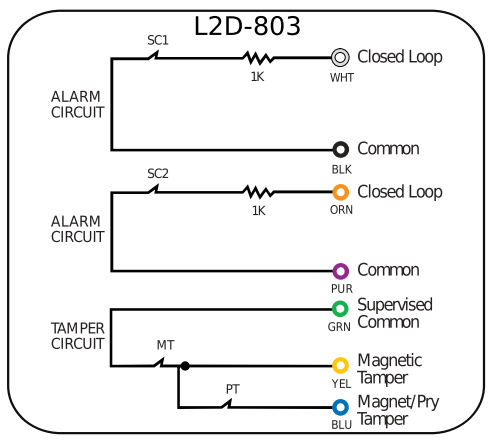
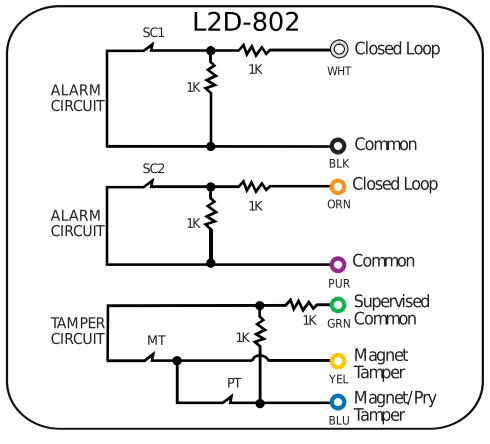
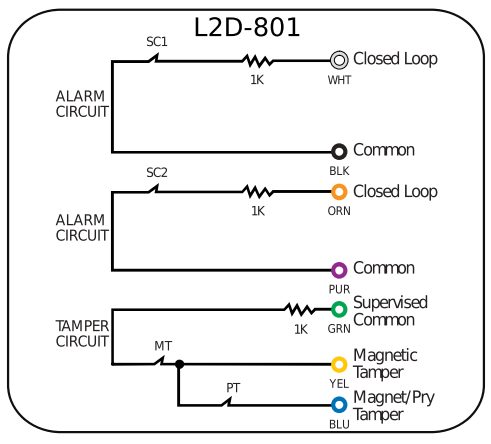
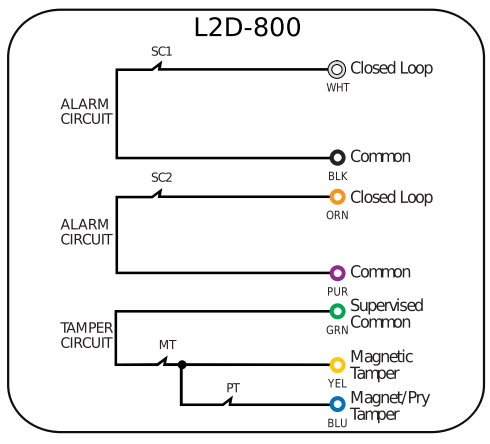
Legend

SC = Secure Contact
MT = Magnet Tamper
PT = Pry Tamper
##K= Resistor

36" [91cm] Leads

Magnasphere L2D-800 (Dual Alarm Contacts) UL 634 Level 2 High Security Contacts (Surface Mount)

NOTE: CONTACT STATE SHOWN WITH TARGET MAGNET IN PLACE



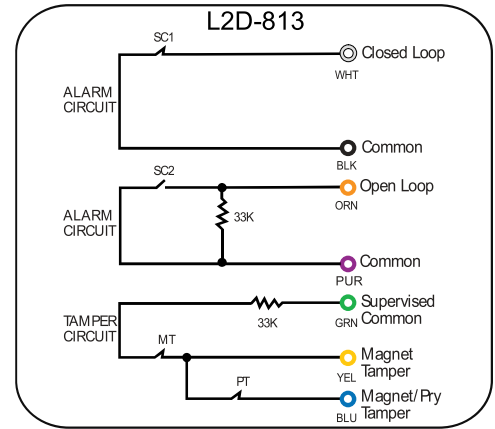
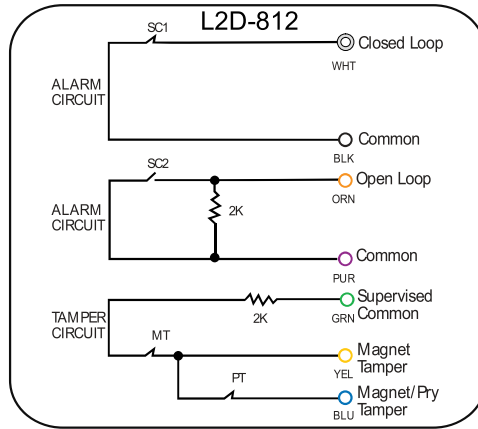
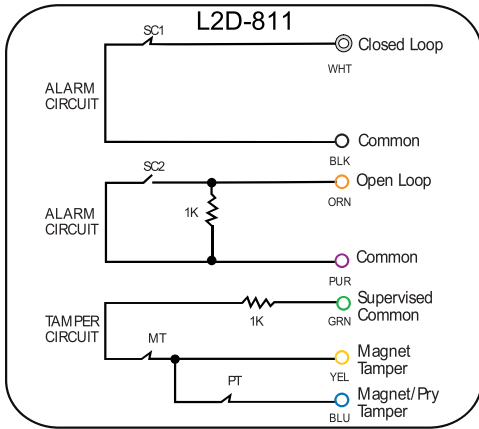
Legend / Notes

SC = Secure Contact
 MT = Magnet Tamper
 PT = Pry Tamper
 ##K = Resistor

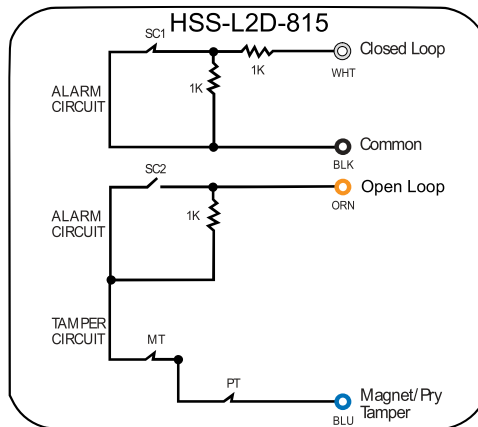
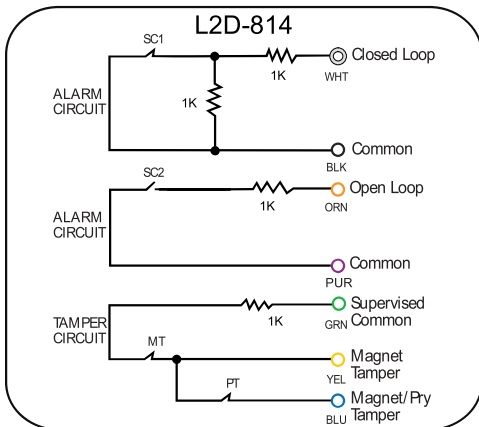
36" [91cm] Leads

L2D-800 (Dual Alarm Contacts) Continued
 UL 634 Level 2 High Security Contacts (Surface Mount)

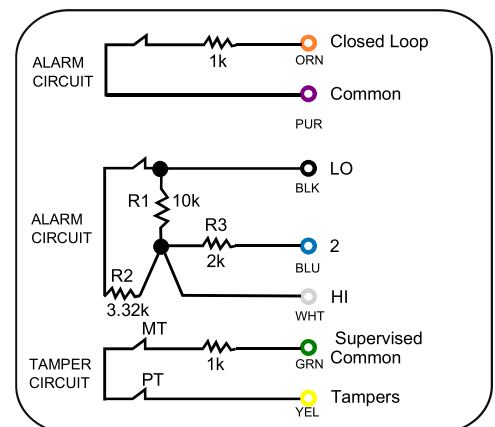
NOTE: CONTACT STATE SHOWN WITH TARGET MAGNET IN PLACE



L2D-815
 WE-1K-J1-LS-J2-BK:J1-1K-J2:OE-
 J3-NS-J4-MT-PT-BE:J3-1K-J4



HSS-L2D-820
 OE-1K-LS-PE:BK-J1-LS-
 3.32K-J2-WE:J1-10K-J2-2K-BE



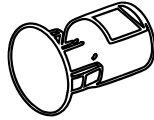
Legend / Notes

SC = Secure Contact
 MT = Magnet Tamper
 PT = Pry Tamper
 ##K = Resistor

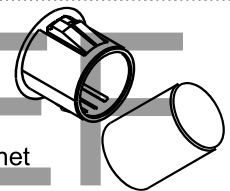
36" [91cm] Leads

HSS Surface Mount Accessories

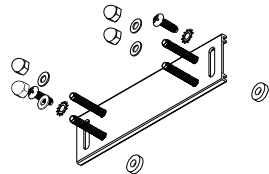
P/N : 1854
 KIT: Integrated cap/magnet for HSS, L1.5 series
 (cross-compatible with legacy removal tamper cap and magnet,
 shown on right)
 QTY: 3pcs



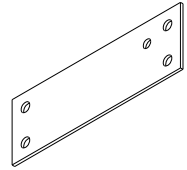
P/N : HS-1251 (legacy)
 KIT: Removal Tamper Cap
 QTY: 5pcs
 P/N : HS-1250 (legacy)
 KIT: Removal Tamper Magnet
 QTY: 3pcs



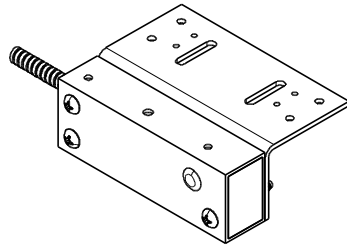
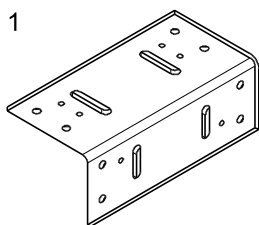
P/N : HSS-1229
 KIT: Adjustable Magnet Bracket
 QTY: 1



P/N : HSS-SP062
 KIT: HSS Plastic Shims
 QTY: 10pcs

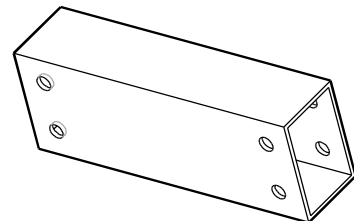


P/N : HSS-1625
 KIT: HSS L-Bracket
 QTY: 1

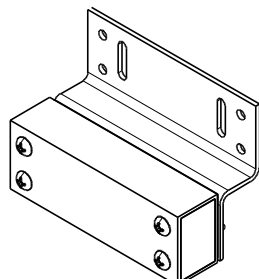
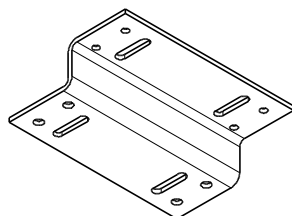


Reference View

P/N : HSS-1102
 KIT: HSS Magnet Housing 1" Spacer
 QTY: 1

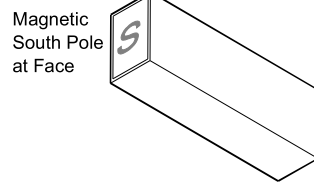


P/N : HSS-1620
 KIT: HSS Z-Bracket
 QTY: 1

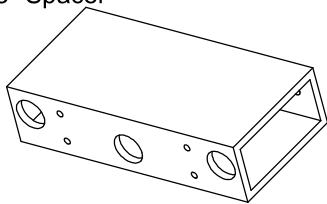


Reference View

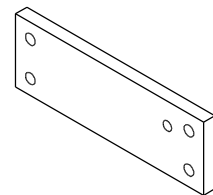
P/N : HSS-1384
 KIT: HSS & L2C Series Tamper Test Magnet
 (1.5" [3.81 cm] x 1" [2.54cm] x 4.25" [10.8cm])
 QTY: 1



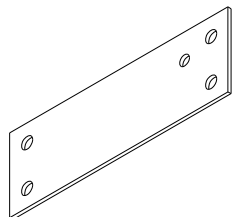
P/N: HSS-1731
 KIT: HSS Magnet Module 3" Spacer
 QTY: 1



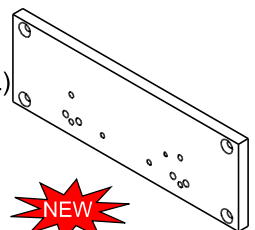
P/N : HSS-1578
 KIT: 1/4" Aluminum spacer w/ Clearance Holes
 QTY: 1



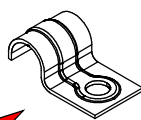
P/N : HSS-SP062-FIRE
 KIT: HSS Aluminum Shims
 QTY: 10pcs



P/N : 1798
 KIT: HSS Adapter Plate for BEA
 Glass Door Bracket (10UBRACKETUL)
 QTY: 1



P/N : 1807
 KIT: Armored Cable Routing Clamps
 QTY: 3pcs



P/N: D5030D (by GMI - GM International)
 KIT: Intrinsically Safe Isolator
 SIL 3 Switch/Proximity
 Detector Repeater, Relay Output
 QTY: 1
 NOTE: Call to discuss
 (+1 262-347-0711)



INSTALLER COMPONENTS FOR HSS L2X-0XX SERIES - REPLACEMENT KIT P/N: 1528

#10 x 2" Length / Screws / Type F / Qty: 7

#6 x 1" Length / Screws / Type F / Qty: 2

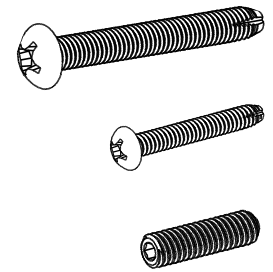
#8-32 x 7/16" Length / SS Set Screw / Qty: 1

Integrated Cap/Magnet
(cross-compatible with
legacy removal tamper cap and magnet,
shown on right) / QTY: 1



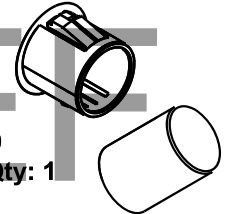
Plastic Spacers (1/16" Thk.) / Qty: 2

Poly Bag / Qty:1



Pry-tamper Plugs (legacy)
(Plastic) / Qty: 2

Pry-tamper Magnet (legacy)
(Dia. 3/8" x 1/2" Length) / Qty: 1



INSTALLER COMPONENTS FOR HSS L2X-0XX-FIRE SERIES - REPLACEMENT KIT P/N: 1528-FIRE

#10 x 2" Length / Screws / Type F / Qty: 7

#6 x 1" Length / Screws / Type F / Qty: 2

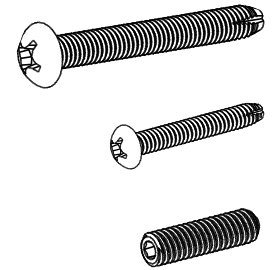
#8-32 x 7/16" Length / SS Set Screw / Qty: 1

Integrated Cap/Magnet
(cross-compatible with
legacy removal tamper cap and magnet,
shown on right) / QTY: 1



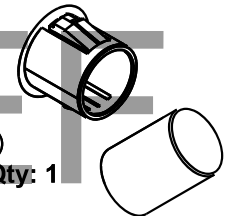
Aluminum Spacers (1/16" Thk.) / Qty: 2

Poly Bag / Qty:1



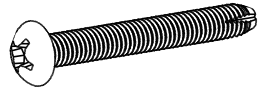
Pry-tamper Plugs (legacy)
(Plastic) / Qty: 2

Pry-tamper Magnet (legacy)
(Dia. 3/8" x 1/2" Length) / Qty: 1

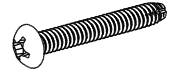


INSTALLER COMPONENTS FOR HSS L2X-8XX SERIES - REPLACEMENT KIT P/N: **HSS-1543**

#10 x 2" Length / Screws / Type F / **Qty: 7**

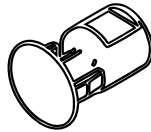


#6 x 1" Length / Screws / Type F / **Qty: 2**



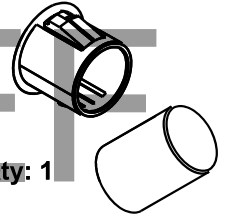
Pry-tamper Plugs (Plastic) / **Qty: 2**

Integrated Cap/Magnet
(cross-compatible with
legacy removal tamper cap and magnet,
shown on right) / **QTY: 1**



Pry-tamper Plugs (legacy)
(Plastic) / **Qty: 2**

Pry-tamper Magnet (legacy)
(Dia. 3/8" x 1/2" Length) / **Qty: 1**



1/2" NPT Plug / **Qty: 1**



Poly Bag / **Qty:1**



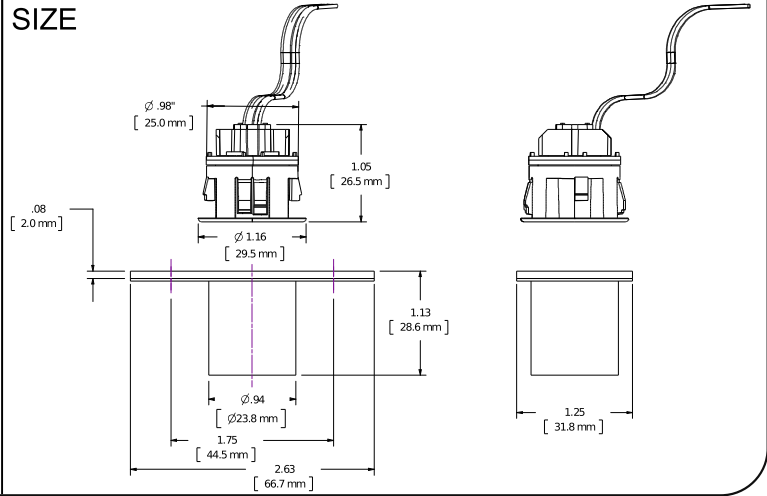
HSS-L2C Series UL 634 Level 2 High Security Contacts (Recessed/Concealed)



Specifications

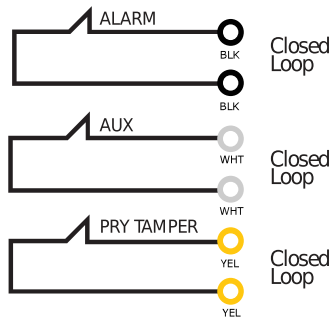
Housing: Brass (Magnet Housing) and ABS (Switch Housing)
Wire Lead Type: Color-Coded, 12"L [30 cm] 22 AWG
Max Current: 0.25 A Resistive
Max Voltage: 30 VDC
Max Power: 0.250 W
Max Gap: .125" [3.18mm]
Suitable for outdoor use

SIZE

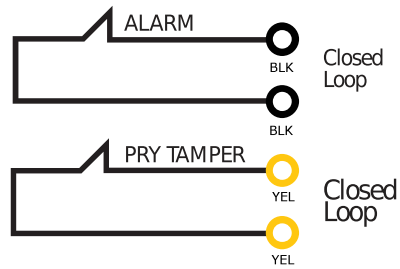


NOTE: CONTACT STATE SHOWN WITH TARGET MAGNET IN PLACE

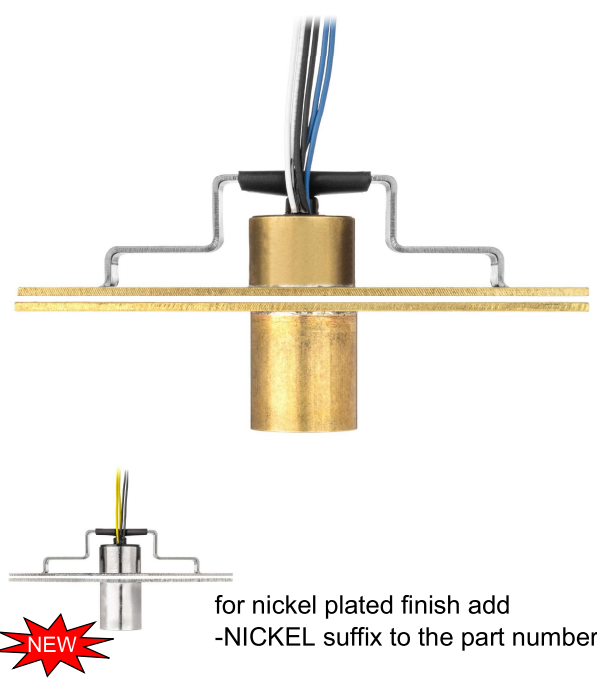
L2C-111



L2C-101

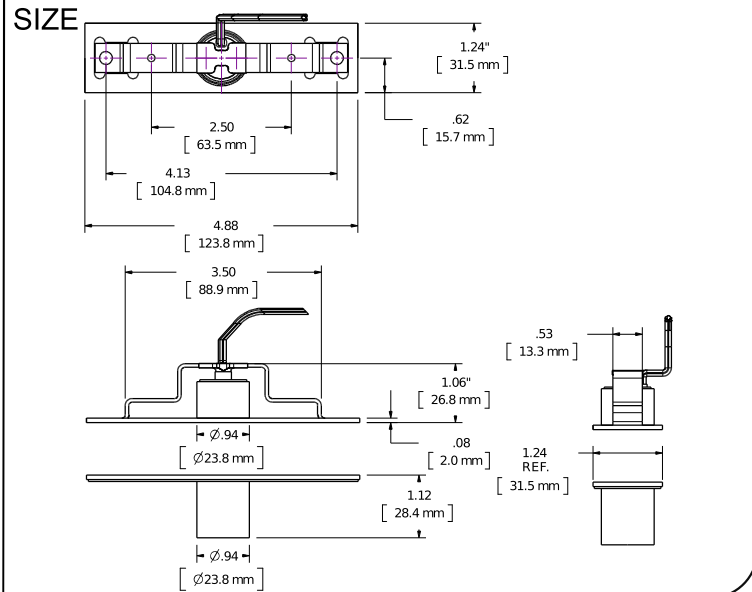


HSS-L2C-A Series Level 2 (UL-634) (Concealed: Fits to an ANSI style cutout)

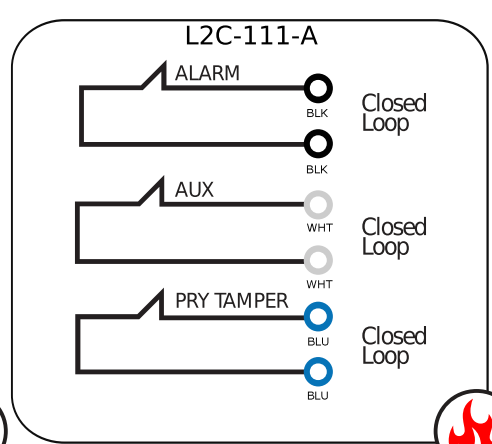
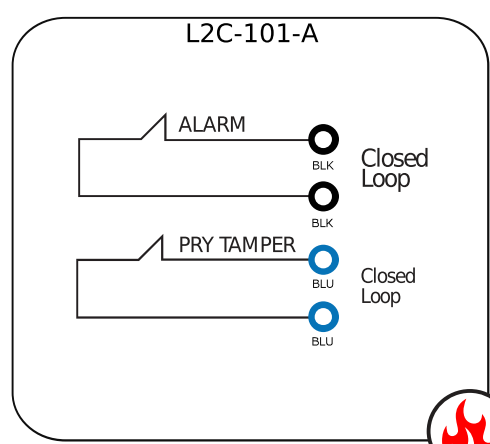


for nickel plated finish add
-NICKEL suffix to the part number

Specifications
Housing: Brass
Wire Lead Type: Color-Coded, 12"L [30 cm] 22 AWG
Max Current: 0.25 A Resistive
Max Voltage: 30 VDC
Max Power: 0.250 W
Max Gap: .125"
Suitable for outdoor use



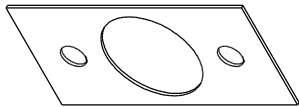
NOTE: CONTACT STATE SHOWN WITH TARGET MAGNET IN PLACE



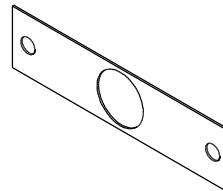
* To Order the UL10C classified/listed contacts (misc. fire door accessories, positive pressure tested,) add -FIRE suffix to the part number.
HSS-L2C-XXX-A-FIRE series is rated at 3 hours.

L2C-XXX & L2C-ANSI Accessories

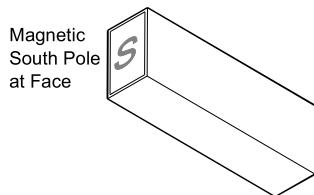
P/N : HSS-1222
 KIT: 1/32" Spacers for L2C-XXX Magnet Module
 QTY: 10pcs



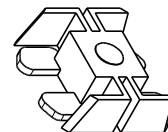
P/N : HSS-1367
 KIT: L2C ANSI 1/32" spacer
 QTY: 10pcs



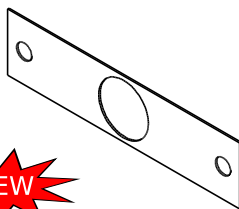
P/N : HSS-1384
 KIT: HSS & L2C Series Tamper Test Magnet
 (1.5" [3.81 cm] x 1" [2.54cm] x 4.25" [10.8cm])
 QTY: 1



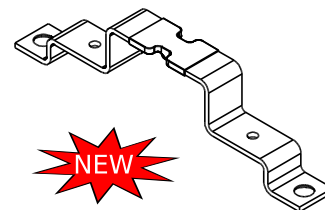
P/N : 1710
 KIT: L2C-XXX Pry Tamper Bracket
 QTY: 3pcs



P/N: HSS-1367-FIRE
 KIT: L2C ANSI -FIRE 1/32" Aluminum Spacers
 QTY: 10pcs

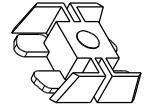


P/N : HSS-1762
 KIT: L2C-XXX-ANSI Pry Tamper Bracket
 QTY: 1

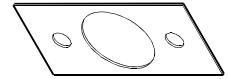


INSTALLER COMPONENTS FOR HSS L2C REPLACEMENT KIT P/N: **HSS-1544**

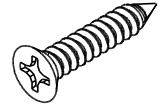
Tamper Bracket (Plastic) / **Qty: 1**



Plastic Spacer (1/32" Thk.) / **Qty: 3**



#10 x 1" Length / Phillips Undercut Flathead Screw / **Qty: 2**



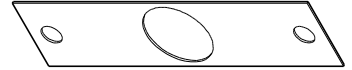
Poly Bag / **Qty:1**

INSTALLER COMPONENTS FOR HSS L2C-A - REPLACEMENT KIT P/N: **HSS-1545**

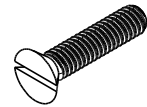
#8-32 x 3/8" Length / SS Phillips Undercut Flathead Screws
(Tamper Bracket) / **Qty: 2**



Plastic Spacer (1/32" Thk.) / **Qty: 3**



#8-32 x 1/2" Length / Brass Slotted Flathead Screw
(Switch and Magnet) / **Qty:4**



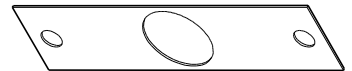
Poly Bag / **Qty: 1**

INSTALLER COMPONENTS FOR HSS L2C-A-FIRE - REPLACEMENT KIT P/N: **HSS-1545-FIRE**

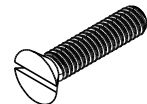
#8-32 x 3/8" Length / SS Phillips Undercut Flathead Screws
(Tamper Bracket) / **Qty: 2**



Aluminum Spacer (1/32" Thk.) / **Qty: 3**



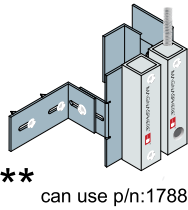
#8-32 x 1/2" Length / Brass Slotted Flathead Screw
(Switch and Magnet) / **Qty:4**



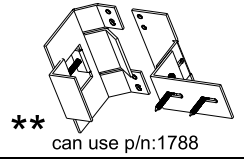
Poly Bag / **Qty: 1**

Overhead Door Brackets (OHD)

P/N : HS-OHD-111 (w/ contact pre-mounted)
 KIT: HS-L1.5-111 mounted on HS-1271
 QTY: 1 kit

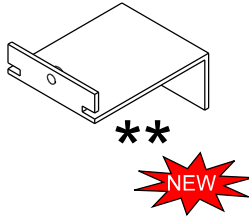


P/N : 1271
 KIT: Overhead Door Rail Mount Bracket for HS-L1.5
 QTY: 1 kit

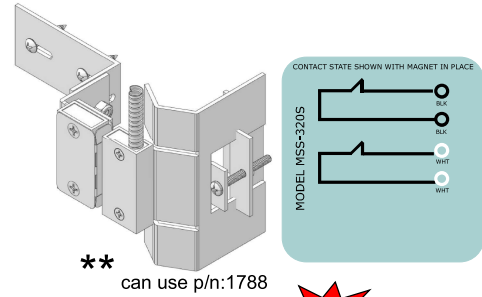


P/N : HS-OHD-121 (w/ contact pre-mounted)
 KIT: HS-L1.5-121 mounted on HS-1271
 QTY: 1 kit

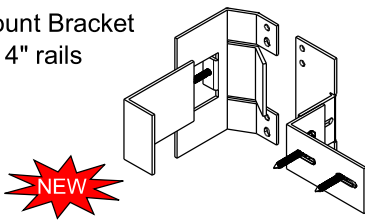
P/N : 1788
 KIT: Extended Z-bracket
 allows any OHD kit to hold 4" rails
 QTY: 1



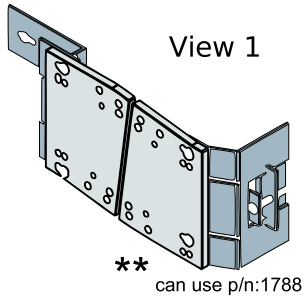
P/N : MK-3002S (w/ contact pre-mounted)
 KIT: OHD Rail Mount w/ MSS-320S
 QTY: 1kit



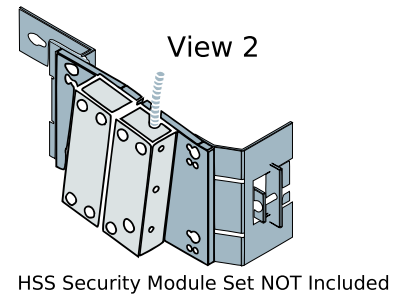
P/N : 1791
 KIT: Overhead Door Rail Mount Bracket
 for HS-L1.5 - can hold up-to 4" rails
 QTY: 1 kit



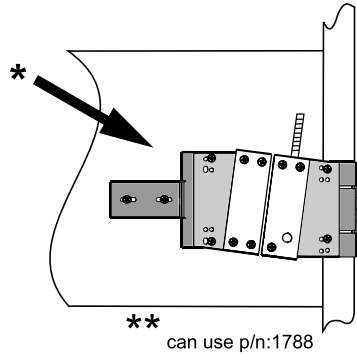
P/N : HSS-1670
 KIT: Over Head Rail Mount Bracket Kit
 (OHD) for HSS (Level 2) - *Right Side
 QTY: 1 kit



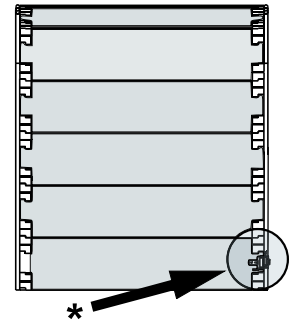
P/N : HSS-1671
 KIT: Over Head Rail Mount Bracket Kit
 (OHD) for HSS (Level 2) - *Left side
 QTY: 1 kit



P/N: HSS - 1670 - L2S/D - XXX (w/ contact pre-mounted)
 KIT: Overhead Door Bracket w/ HSS-L2 - *Right Side
 QTY: 1 kit



P/N: HSS - 1671 - L2S/D - XXX (w/ contact pre-mounted)
 KIT: Overhead Door Bracket w/ HSS-L2 - *Left Side
 QTY: 1 kit



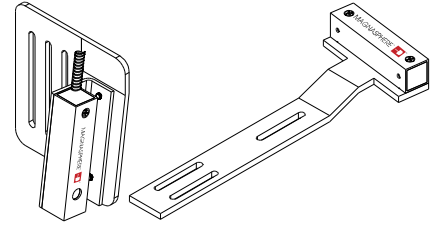
Note(s):
 * as viewed from the interior

Roll Up Door Bracket Kit

Roll-up Door Contact (HSL-1.5) Level 1 (Brackets w/ contacts pre-mounted)

P/N : HS1452-L1.5-111 & -121
 KIT: Roll Up Door Bracket w/HSL1.5 - Right Side*
 QTY: 1 Set

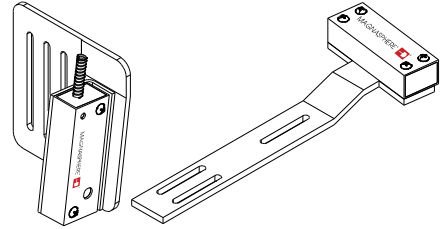
P/N : HS1453-L1.5-111 & -121
 KIT: Roll Up Door Bracket w/HSL1.5 - Left Side*
 QTY: 1 Set



Roll-up Door Contact (HSS) Level 2 (Brackets w/ contacts pre-mounted)

P/N : HSS-1450-L2S/D-XXX
 KIT: Roll Up Door Bracket w/HSS L2 - Right Side*
 QTY: 1 Set

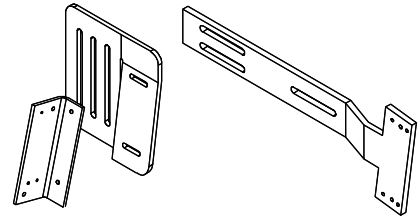
P/N : HSS-1451-L2S/D-XXX
 KIT: Roll Up Door Bracket w/HSS L2 - Left Side*
 QTY: 1 Set



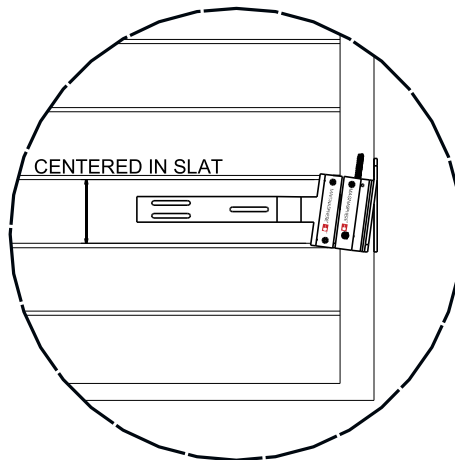
Roll-up Door Bracket Set for HSL1.5 and HSS (Brackets Only)

P/N : 1450
 KIT: Roll Up Door Bracket Set for HSS or HSL1.5 - Right Side*
 QTY: 1 Set

P/N : 1451
 KIT: Roll Up Door Bracket Set for HSS or HSL1.5 - Left Side*
 QTY: 1 Set



Assembled representation:
 interior reference point (right side) for
 Roll-up Door Contact (HSS / HSL-1.5)



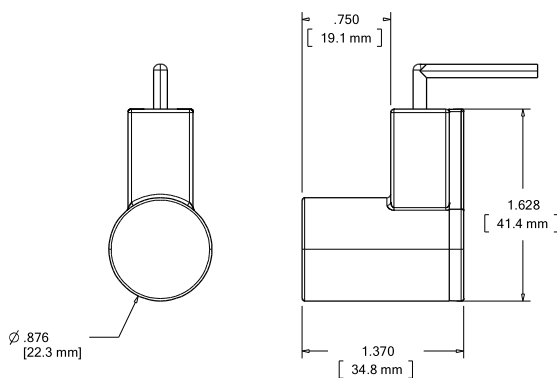
T1-AB-JS Unidirectional Tilt / Disturbance Switch



T1-AB-JS



SIZE



Mechanical and Electrical Specifications

Poles and Circuits: SPST (ON/OFF)

Max Current: 0.25A Max

Voltage: 30 VDC Resistive

Max Power: .25 W

Mechanical Life: 1 Million Operations (Typical)

Angles of Operation:

ON = 180° (+/- 4°)

OFF = 180° (+/- 4°)

RoHS compliant

Color(s)

Black ABS(

Flame Rated: 94HB min)

Wire Leads

JACKETED 22 AWG 0.11" OD x12"L

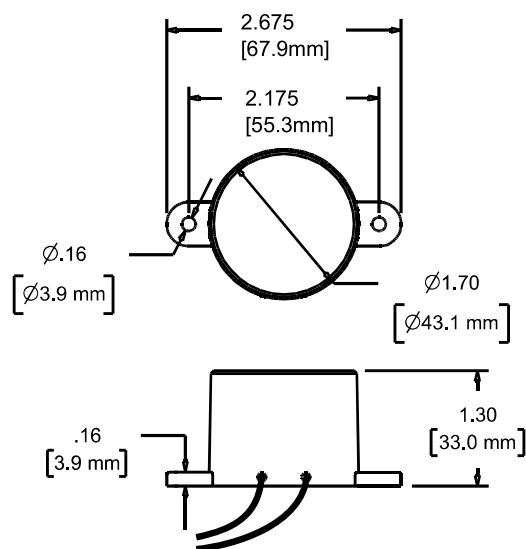
T3-B-LS Omnidirectional Tilt / Disturbance Switch



T3-B-LS



SIZE



Mechanical and Electrical Specifications

Poles and Circuits: SPST (ON/OFF)

Max Current: 0.25A Max

Voltage: 30 VDC Resistive

Max Power: .25 W

Mechanical Life: 1 Million Operations (Typical)

Angles of Operation:

11° above horizontal typical actuation.

6° above horizontal typical return.

RoHS compliant

Color(s)Black

ABS

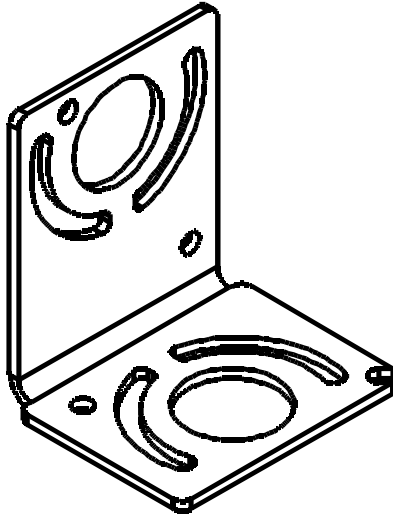
(Flame Rated: 94HB min)

Wire Leads

12" [30.5cm] - 2x 20 AWG Stranded,
Black SXL Insulated

see page 45 for accessories

L Bracket for T1-AB-JS Unidirectional Tilt Switch and T3-B-LS Omni-Directional Tilt / Disturbance Switch Qty:1
P/N: 1608



How to order contacts with longer than standard armored cable/leads (Example)

HS, HSS or MSS-300S
Series P/N

Armored Cable Length
(in Inches)

* Wire Lead Length
(In Feet + 0.5 Foot "Pigtail")

HS-L1.5-111

C-36

L-3.5

Contact
Model

Armored
Cable Length in Inches

Wire Lead Length
Converted to Feet

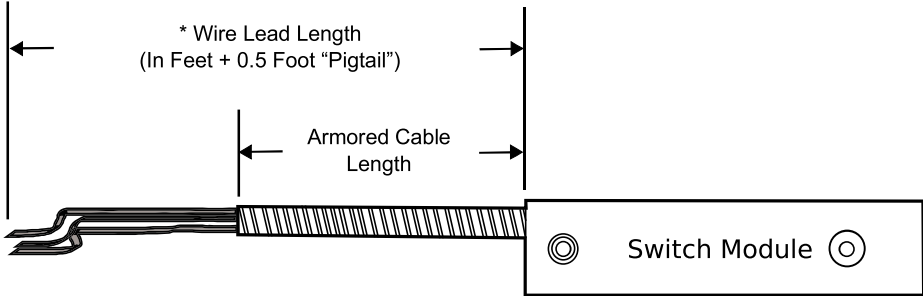
Level 1- Two Normally Closed
Alarm Contacts &
Normally Closed Tamper

Armored Cable 36"

3-1/2 Feet Of Wire Leads
(6" of Lead Available -
From End of Armored Cable)

HS-L1.5-111-C-36-L-3.5

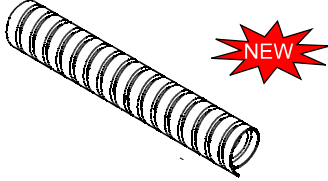
(Example)



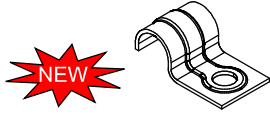
Note: Same ordering convention applies to HSS, HSL1.5 and MSS contacts.

Note: armored cable can be purchased separately

P/N : 1720
KIT: 25' Armored Cable 7/32" ID
QTY: 25 feet



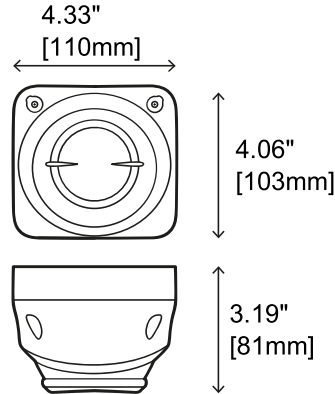
P/N : 1807
KIT: Armored Cable Routing Clamps
QTY: 3pcs



Magnasphere Motion

Call to inquire (+1 262-347-0711)

<https://magnasphere.com/magnasphere-motion/magnasphere-motion-by-inxpect-downloads>



MSK-101-MM : radar-based motion detector providing fine control over a precise sense zone via app setup: programming dongle sold separately – see page 44 for accessories
Cert: Listed to UL 639 (Safety Intrusion-Detection Units), FCC ID: UXS-SMR-3X4, Tested to EN 50131-2-3 Grade 3, Class IV, BIS, CE
24GHz FMCW radar: No license needed to deploy
System: Panel independent via relay outputs
Ratings and use: 12VDC, 100mA (max) IP66 & IP68, indoor or outdoor, wall or ceiling mount, barrier or volumetric sensing at over 60feet sense range, -40/+70 °C -40/+158 °F
Application notes: Weather, sunlight, HVAC is not a problem, distinguishes small animals from humans to eliminate false alarms, respects privacy (unlike video analytics), multiple channels permit overlapping sense zones and perimeters. Radar overcomes the environmental and backdrop problems of the inferior PIR and microwave-doppler technologies, designed to be security hardware for that "motion trouble spot"
Setup: secure via app and dongle (iOS, Android, Windows, Mac) over wifi* --or over encrypted cable (USB-only** for demanding environments)
 Note: at least one dongle (of either type) must be procured to set up any number of MSK-101-MM units
 *[wifi dongle catalog entry]
 **[usb only dongle catalog entry noting that no radio hardware is equipped; intended for secure spaces which do not tolerate radio emissions]

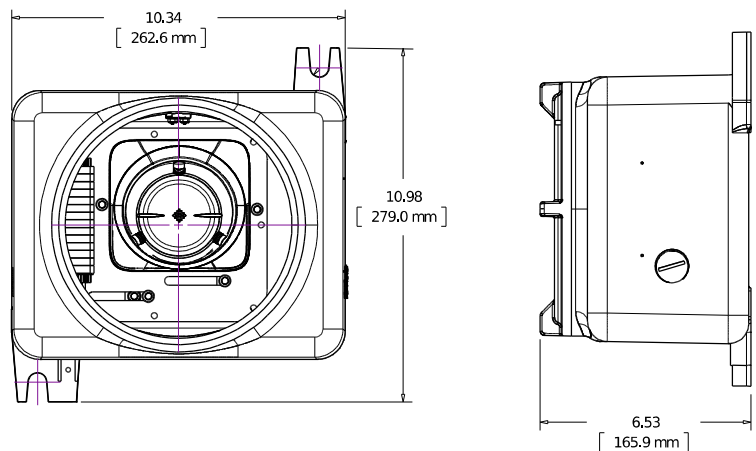
MSK-101-POE-MM : power over ethernet see page 44 for accessories
Usage: Indoor or outdoor motion sensor
Detection method: Inxpect motion processing engine based on FMCW radar at 24GHz FOV: 90deg Horiz / 30deg Vert
Maximum range (detection of persons): 20m | 66ft, configurable in 30cm/1ft steps
Mounting height: 1 to 3m | 3 to 11ft
Detection speed: > 0.05 m/sec | 2 in/sec
LED alarm indicator: Led on when in alarm (switchable to off)
Electrical interface: 802.3af (PoE) for power and data, standard RJ45 socket
API: Proprietary UDP, open REST and HTTPS APIs with end-to-end encryption and secure crypto co-processor
Operating temperature: -30/+60 °C | -22/+140 °F
Certifications: CE, Contains FCC ID: UXS-SMR-3X4, compatible with EN 50131-2-3 Grade 3, Class IV
Environmental rating: IP66+IP67
VMS integrated: Milestone, etc.
FIPS-compliant cryptographic co-processor with secure storage for asymmetric keys
SETUP: open web, REST and UDP interfaces --no dongle

MSK-101-MM-HLOC



MSK-101-MM + XJHAGCHX N4 SB4100 Enclosure

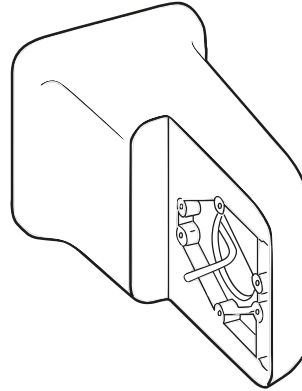
Enclosure for use in hazardous location as to explosion and fire hazard only
 Adalet Model: XJHAGCHX N4 SB4100 Enclosure
 UL Classified
 UL File # E81696
 Class I Groups B, C, & D
 Class II Groups E, F, & G
 Class III Type 4



Magnasphere Motion – Accessories
Call to inquire (+1 262-347-0711)

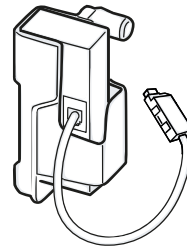
P/N: MSK-101-BM

KIT: Barrier mounting bracket for MSK-101-MM and MSK-101-POE-MM
QTY: 1



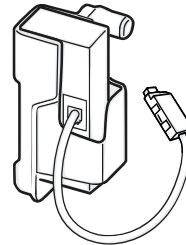
P/N: WSYNC-DK-USB

KIT: MSK-101-MM and MSK-101-MM-HLOC programming dongle for PC & MAC w/ 10ft usb cable and caddy intended for secure spaces which do not tolerate radio emissions
QTY:1



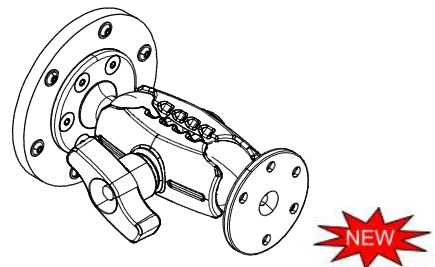
P/N: WSYNC-DK-WIFI-US

KIT: MSK-101-MM and MSK-101-MM-HLOC WiFi dongle for iOS and Android w/ cable and caddy
QTY:1



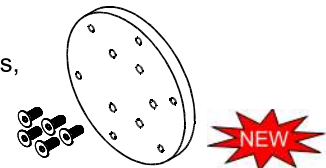
P/N: 1837

KIT: MSK-HLOC-OM (Omni Mount) Kit - for MSK-101-MM-HLOC
Qty: 1



P/N: 1839

KIT: Spare 1833 Mounting Plate w/ fasteners for ball mount - to facilitate difficult sites, works with 1837 kit - for MSK-101-MM-HLOC
Qty: 1



P/N: 1833

KIT: Spare O-Ring - for MSK-101-MM-HLOC
Qty: 1



MACS ANTI-CLIMB SYSTEM

Call to inquire (+1 262-347-0711)



Advanced intrusion system designed for rigid and chain-link fences, which accommodates many fence forms and sections while ignoring weather and normalized events (gate closures, impacts, weather, transportation vibration, etc.).

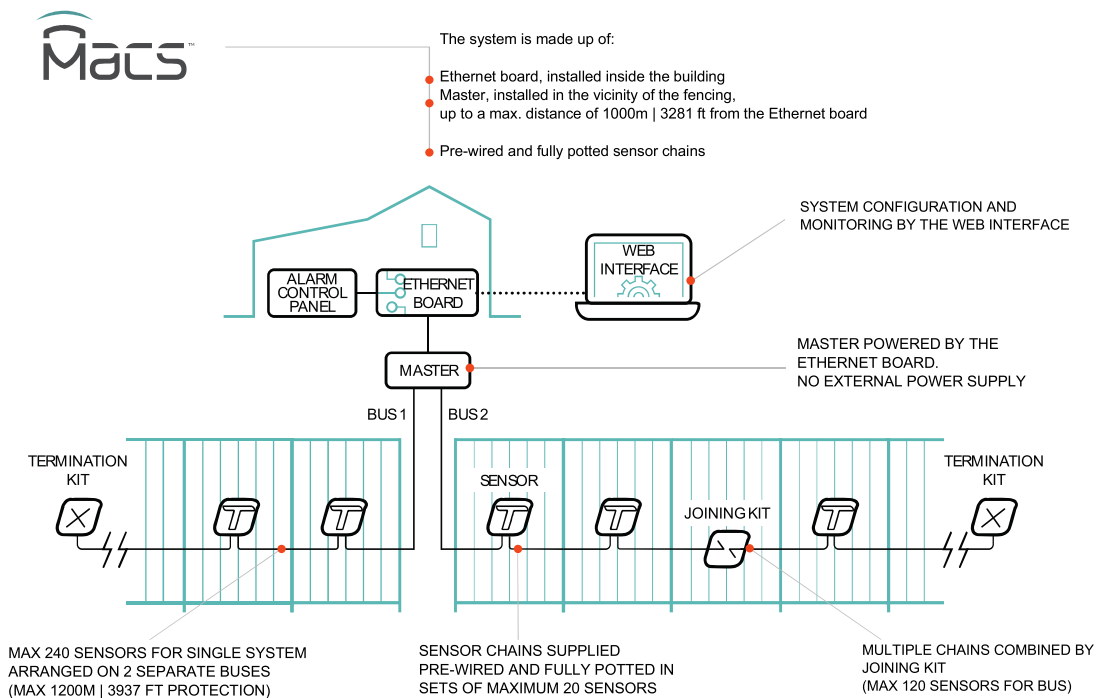
-secure installation by app requiring no fasteners/drilling, trenching, outside power or outside networking

-sensing via individually secured and distinctly controllable sensors (of FIPS-compliant design; field cable is not the sensing element)

- system independent via relays or API system integration (VMS integrated: Milestone, etc.)

-field repairable if damaged

-up to 1200 meters per system

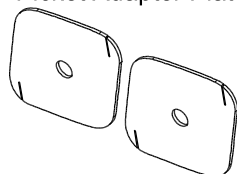


Accessories

P/N: 1795

DESCRIPTION: No-Drill Picket Adapter Plate Set

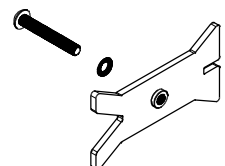
QTY:2



P/N: 1845

DESCRIPTION: MACS-S3H Chain Link Adapting Back-plates

QTY:20





To order sensors for Hazardous Locations add the **-HLOC** suffix to compatible product series. Selected kit includes the D5030D Isolator/Barrier.

contact us at: (+1 262-347-0711) or support@magnasphere.com

Compatible Product

D5030D Isolator/Barrier

HLOC Kit p/n:

MSS-2##C
(pages 9-10)



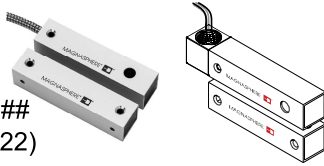
MSS-2##C-HLOC

MSS-3##C
(pages 11-12)



MSS-300C-HLOC

L1.5-###
L1.5-###-8##
(pages 18-22)



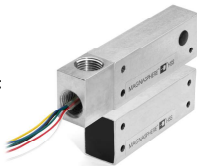
L1.5-###-HLOC
L1.5-###-8##-HLOC

HSS-L2S/L2D-###
(pages 25-28)



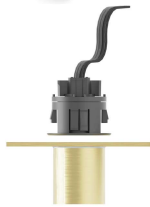
HSS-L2S/D-###-HLOC

HSS-L2S/L2D-8##
(pages 29-33)



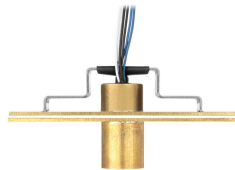
HSS-L2S/L2D-8##-HLOC

HSS-L2C-###
(page 37)



HSS-L2C-###-HLOC

HSS-L2C-###-A
(page 38)



HSS-L2C-###-A-HLOC

+



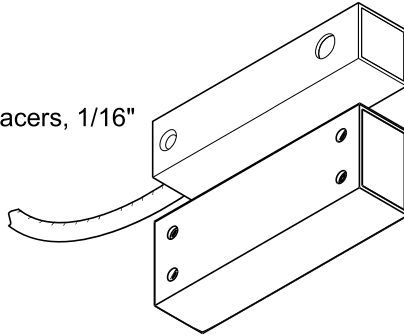


L1.5 Based Wide Gap Adaptations (Non-UL)

Call to inquire (+1 262-347-0711)

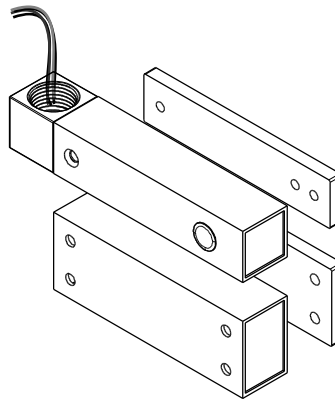
HS-100-WG Series

- Includes:
- 1x High Security Contact Module and 2x Spacers, 1/16"
 - 1x Extended Reach Magnet Module
 - 1x Removal Tamper Magnet
 - 2x Removal Tamper Caps
- or
- 1x Removal Tamper Magnet Assembly



HS-100-NPT-WG Series

- Includes:
- 1x High Security Contact Module with 1/2" NPT conduit fitting and 1x 1/4" Spacer
 - 1x Extended Reach Magnet Module and 1x 1/4" Spacer
 - 1x Removal Tamper Magnet
 - 2x Removal Tamper Caps
- or
- 1x Removal Tamper Magnet Assembly



Model Series Specifications

Housing: Aluminum
 Max Current: 0.25 A Resistive
 Max Voltage: 30 VDC
 Max Power: 0.250 W
 Max Gap: .75" [19.05mm]

Wire Lead Type:

HS-100-WG - 36" L Armored Cable with Color-Coded 22 AWG Stranded 6" Pigtail

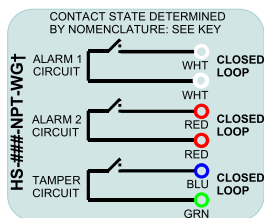
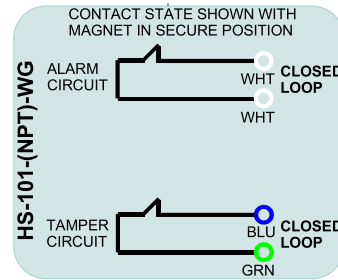
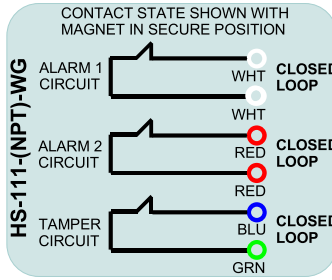
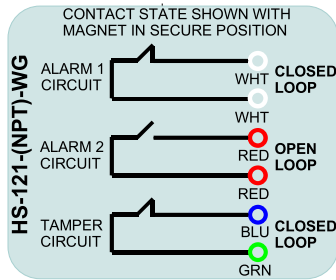
HS-100-NPT-WG

Color-Coded, 22 AWG Stranded 36" Leads

Suitable for outdoor use

Note(s): Installation hardware not included

Available Configurations



MODEL HS-###-(NPT)-WG† VARIANTS:

- Alarm Circuit 1
 - Alarm Circuit 2
 - Tamper Circuit
 - Optional Mount
 - Conduit Mount
 - Wide Gap
- HS- # # # - NPT - WG

† KEY:
 "1" is Closed-Loop
 "2" is Open Loop
 "0" is Not-Equipped