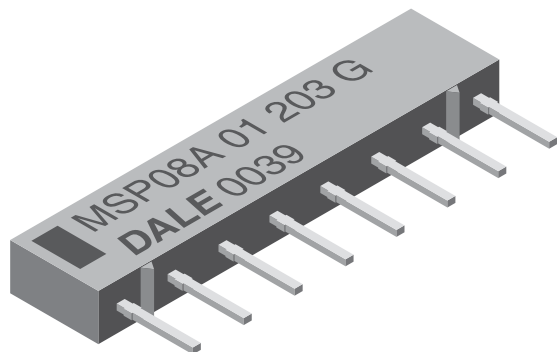


Thick Film Resistor Networks, Single-In-Line, Molded SIP



FEATURES

- Isolated, bussed, and dual terminator schematics available
- 0.195" (4.95 mm) "A" or 0.350" (8.89 mm) "C" maximum seated height
- Thick film resistive elements
- Low temperature coefficient (-55 °C to +125 °C) ± 100 ppm/°C
- Rugged, molded case construction
- Reduces total assembly costs
- Compatible with automatic insertion equipment and reduces PC board space
- Wide resistance range (10 Ω to 2.2 MΩ)
- Available in tube pack
- Material categorization: For definitions of compliance please see www.vishay.com/doc?99912



RoHS* Available

Note

* This datasheet provides information about parts that are RoHS-compliant and/or parts that are non-RoHS-compliant. For example, parts with lead (Pb) terminations are not RoHS-compliant. Please see the information/tables in this datasheet for details.

STANDARD ELECTRICAL SPECIFICATIONS							
GLOBAL MODEL/ SCHEMATIC	PROFILE	POWER RATING ELEMENT $P_{70^{\circ}\text{C}}$ W	RESISTANCE RANGE Ω	TOLERANCE (2) ± %	TEMPERATURE COEFFICIENT (-55 °C to +125 °C) ± ppm/°C	TCR TRACKING (1) (-55 °C to +125 °C) ± ppm/°C	MAXIMUM WORKING VOLTAGE (3) V _{DC}
MSPxxx01	A	0.20	10 to 2.2M	1, 2, 5	100	50	100
MSPxxx01	C	0.25	10 to 2.2M	1, 2, 5	100	50	100
MSPxxx03	A	0.30	10 to 2.2M	1, 2, 5	100	50	100
MSPxxx03	C	0.40	10 to 2.2M	1, 2, 5	100	50	100
MSPxxx05	A	0.20	10 to 2.2M	1, 2, 5	100	150	100
MSPxxx05	C	0.25	10 to 2.2M	1, 2, 5	100	150	100

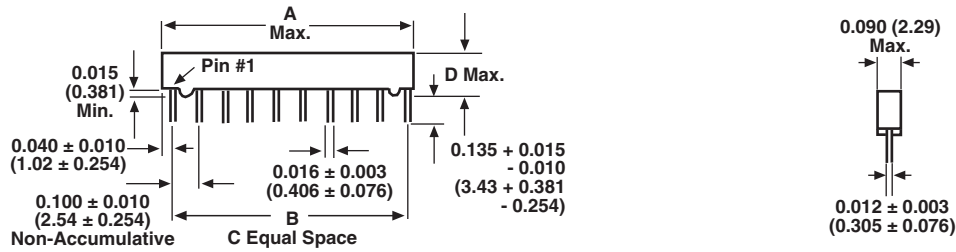
Notes

- (1) Tighter tracking available
- (2) ± 2 % standard, ± 1 % and ± 5 % available
- (3) Continuous working voltage shall be $\sqrt{P \times R}$ or maximum working voltage, whichever is less

GLOBAL PART NUMBER INFORMATION																	
New Global Part Numbering: MSP06A031K00GDA (preferred part numbering format)																	
M	S	P	0	6	A	0	3	1	K	0	0	G	D	A			
GLOBAL MODEL MSP	PIN COUNT 06 = 6 pin 08 = 8 pin 09 = 9 pin 10 = 10 pin	PACKAGE HEIGHT A = "A" profile C = "C" profile	SCHEMATIC 01 = Bussed 03 = Isolated 00 = Special	RESISTANCE VALUE R = Ω K = kΩ M = MΩ 10R0 = 10 Ω 33K0 = 33 kΩ 1M00 = 1 MΩ 0000 = 0 Ω Jumper	TOLERANCE CODE F = ± 1 % G = ± 2 % J = ± 5 % S = Special Z = 0 Ω Jumper	PACKAGING EJ = Lead (Pb)-free, tube DA = Tin/lead, tube	SPECIAL Blank = Standard (Dash Number) (Up to 3 digits) From 1 to 999 as applicable										
Historical Part Number Example: MSP06A03102G (will continue to be accepted)																	
MSP	06	A	03	102	G	D03											
HISTORICAL MODEL	PIN COUNT	PACKAGE HEIGHT	SCHEMATIC	RESISTANCE VALUE	TOLERANCE CODE	PACKAGING											
New Global Part Numbering: MSP08C05131AGDA (preferred part numbering format)																	
M	S	P	0	8	C	0	5	1	3	1	A	G	D	A			
GLOBAL MODEL MSP	PIN COUNT 06 = 6 pin 08 = 8 pin 09 = 9 pin 10 = 10 pin	PACKAGE HEIGHT A = "A" profile C = "C" profile	SCHEMATIC 05 = Dual terminator	RESISTANCE VALUE 3 digit impedance code, followed by alpha modifier (see Impedance Codes table)	TOLERANCE CODE F = ± 1 % G = ± 2 % J = ± 5 %	PACKAGING EJ = Lead (Pb)-free, tube DA = Tin/lead, tube	SPECIAL Blank = Standard (Dash Number) (Up to 3 digits) From 1 to 999 as applicable										
Historical Part Number Example: MSP08C05221331G (will continue to be accepted)																	
MSP	08	C	05	221	331	G	D03										
HISTORICAL MODEL	PIN COUNT	PACKAGE HEIGHT	SCHEMATIC	RESISTANCE VALUE 1	RESISTANCE VALUE 2	TOLERANCE CODE	PACKAGING										

Note

- For additional information on packaging, refer to the Through-Hole Network Packaging document (www.vishay.com/doc?31542).

DIMENSIONS in inches (millimeters)


GLOBAL MODEL	A (Max.)	B	C	D (Max.)
MSP06	0.590 (14.99)	0.500 (12.70)	5	MSPxxA = 0.195 (4.95) MSPxxC = 0.350 (8.89)
MSP08	0.790 (20.07)	0.700 (17.78)	7	
MSP10	0.990 (25.15)	0.900 (22.86)	9	
MSP09	0.890 (22.61)	0.800 (20.32)	8	0.195 (4.95) only

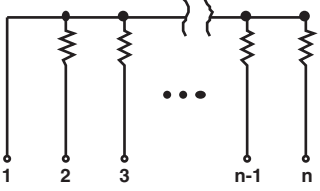
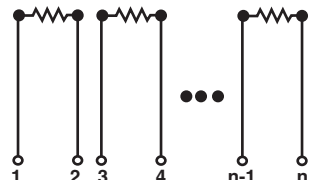
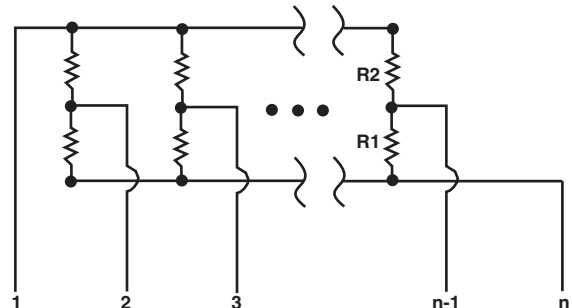
TECHNICAL SPECIFICATIONS		
PARAMETER	UNIT	MSP SERIES
Package Power Rating Maximum at +25 °C and +70 °C		See Derating Curves
Voltage Coefficient of Resistance	V_{eff}	< 50 ppm typical
Dielectric Strength	V_{AC}	200
Isolation Resistance (03 Schematic)	Ω	> 100 M
Operating Temperature Range	°C	-55 to +125
Storage Temperature Range	°C	-55 to +150

MECHANICAL SPECIFICATIONS	
Marking Resistance to Solvents	Permanency testing per MIL-STD-202, Method 215
Solderability	Per MIL-STD-202, Method 208E, RMA flux
Body	Molded epoxy
Terminals	Copper alloy, solder plated
Weight	MSP06A = 0.4 g MSP06C = 0.7 g MSP08A = 0.5 g MSP08C = 0.9 g MSP09A = 0.55 g MSP10C = 1.1 g MSP10A = 0.6 g

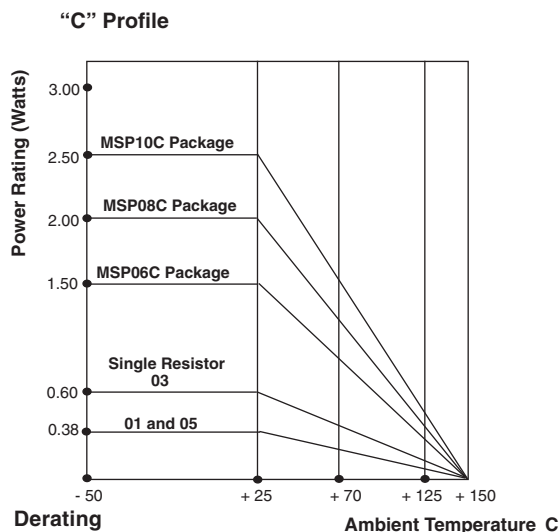
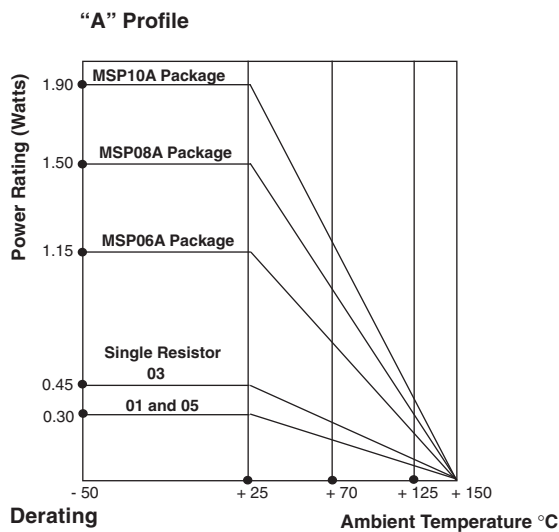
IMPEDANCE CODES					
CODE	R ₁ (Ω)	R ₂ (Ω)	CODE	R ₁ (Ω)	R ₂ (Ω)
500B	82	130	141A	270	270
750B	120	200	181A	330	390
800C	130	210	191A	330	470
990A	160	260	221B	330	680
101C	180	240	281B	560	560
111C	180	270	381B	560	1.2K
121B	180	390	501C	620	2.7K
121C	220	270	102A	1.5K	3.3K
131A	220	330	202B	3K	6.2K

Note

- For additional impedance codes, refer to the Dual Terminator Impedance Code Table document (www.vishay.com/doc?31530).

CIRCUIT APPLICATIONS	
<p>01 Schematic</p> 	<p>5, 7, 8 ⁽¹⁾, or 9 resistors with one pin common</p> <p>The MSPxxx01 circuit contains 5, 7, 8 ⁽¹⁾, or 9 nominally equal resistors, each connected between a common pin (pin no. 1) and a discrete PC board pin. Commonly used in the following applications:</p> <ul style="list-style-type: none"> • “Wired OR” Pull-up • Power Gate Pull-up • TTL Input Pull-down • MOS/ROM Pull-up/Pull-down • Open Collector Pull-up • TTL Unused Gate Pull-up <p>Note ⁽¹⁾ Available in “A” Profile only</p> <p>Standard E-24 resistance values stocked. Consult factory.</p>
<p>03 Schematic</p> 	<p>3, 4 or 5 isolated resistors</p> <p>The MSPxxx03 circuit contains 3, 4, or 5 resistors of nominally equal value in a compact package. Each resistor is connected to two discrete PC pins.</p> <p>Standard E-24 resistance values stocked. Consult factory.</p>
<p>05 Schematic</p> 	<p>Pulse squaring and TTL dual-line terminators</p> <p>The MSPxxx05 circuits contain 4, 6, 7 ⁽²⁾, or 8 series pair of resistors. Each series pair is connected between two common lines. The junction of these resistor pairs is connected to the input terminals.</p> <p>The 05 circuits are designed for TTL dual-line termination and pulse squaring.</p> <p>Note ⁽²⁾ Available in “A” Profile only</p> <p>Many dual terminator resistance values stocked. Consult factory.</p>

DERATING





"A" PROFILE +70 °C PACKAGE RATINGS	
MSP10A	1.25 W
MSP09A	1.12 W
MSP08A	1.00 W
MSP06A	0.75 W

"C" PROFILE +70 °C PACKAGE RATINGS	
MSP10C	1.60 W
MSP08C	1.30 W
MSP06C	1.00 W

Note

- Higher power ratings available. Contact factory.

PERFORMANCE		
TEST	CONDITIONS	MAX. ΔR (TYPICAL TEST LOTS)
Power Conditioning	1.5 x rated power, applied 1.5 h "ON" and 0.5 h "OFF" for 100 h ± 4 h at +25 °C ambient temperature	± 0.50 % ΔR
Thermal Shock	5 cycles between -65 °C and +125 °C	± 0.50 % ΔR
Short Time Overload	2.5 x rated working voltage 5 s	± 0.25 % ΔR
Low Temperature Operation	45 min at full rated working voltage at -65 °C	± 0.25 % ΔR
Moisture Resistance	240 h with humidity ranging from 80 % RH to 98 % RH	± 0.50 % ΔR
Resistance to Soldering Heat	Leads immersed in +260 °C solder to within 1/16" of device body for 10 s	± 0.25 % ΔR
Shock	Total of 18 shocks at 100 g's	± 0.25 % ΔR
Vibration	12 h at maximum of 20 g's between 10 Hz and 2000 Hz	± 0.25 % ΔR
Load Life	1000 h at +70 °C, rated power applied 1.5 h "ON", 0.5 h "OFF" for full 1000 h period. Derated according to the curve.	± 1.00 % ΔR
Terminal Strength	4.5 pound pull for 30 s	± 0.25 % ΔR
Insulation Resistance	10 000 MΩ (minimum)	-
Dielectric Withstanding Voltage	-	-



Disclaimer

ALL PRODUCT, PRODUCT SPECIFICATIONS AND DATA ARE SUBJECT TO CHANGE WITHOUT NOTICE TO IMPROVE RELIABILITY, FUNCTION OR DESIGN OR OTHERWISE.

Vishay Intertechnology, Inc., its affiliates, agents, and employees, and all persons acting on its or their behalf (collectively, "Vishay"), disclaim any and all liability for any errors, inaccuracies or incompleteness contained in any datasheet or in any other disclosure relating to any product.

Vishay makes no warranty, representation or guarantee regarding the suitability of the products for any particular purpose or the continuing production of any product. To the maximum extent permitted by applicable law, Vishay disclaims (i) any and all liability arising out of the application or use of any product, (ii) any and all liability, including without limitation special, consequential or incidental damages, and (iii) any and all implied warranties, including warranties of fitness for particular purpose, non-infringement and merchantability.

Statements regarding the suitability of products for certain types of applications are based on Vishay's knowledge of typical requirements that are often placed on Vishay products in generic applications. Such statements are not binding statements about the suitability of products for a particular application. It is the customer's responsibility to validate that a particular product with the properties described in the product specification is suitable for use in a particular application. Parameters provided in datasheets and / or specifications may vary in different applications and performance may vary over time. All operating parameters, including typical parameters, must be validated for each customer application by the customer's technical experts. Product specifications do not expand or otherwise modify Vishay's terms and conditions of purchase, including but not limited to the warranty expressed therein.

Hyperlinks included in this datasheet may direct users to third-party websites. These links are provided as a convenience and for informational purposes only. Inclusion of these hyperlinks does not constitute an endorsement or an approval by Vishay of any of the products, services or opinions of the corporation, organization or individual associated with the third-party website. Vishay disclaims any and all liability and bears no responsibility for the accuracy, legality or content of the third-party website or for that of subsequent links.

Vishay products are not designed for use in life-saving or life-sustaining applications or any application in which the failure of the Vishay product could result in personal injury or death unless specifically qualified in writing by Vishay. Customers using or selling Vishay products not expressly indicated for use in such applications do so at their own risk. Please contact authorized Vishay personnel to obtain written terms and conditions regarding products designed for such applications.

No license, express or implied, by estoppel or otherwise, to any intellectual property rights is granted by this document or by any conduct of Vishay. Product names and markings noted herein may be trademarks of their respective owners.