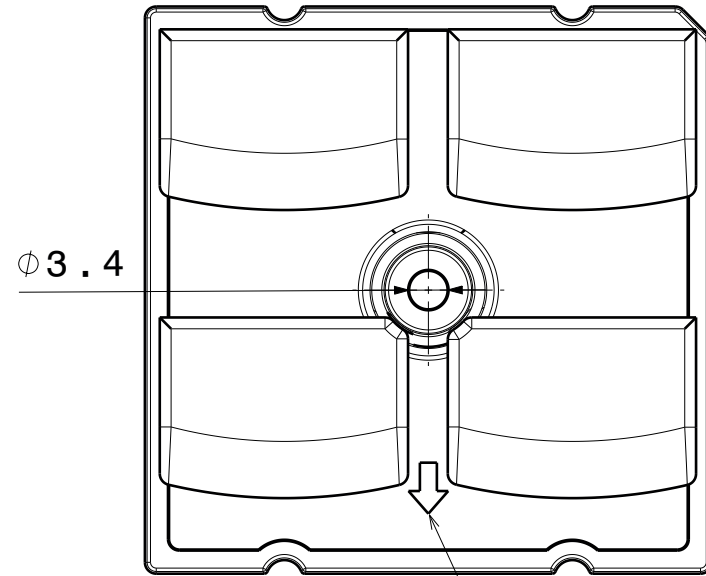
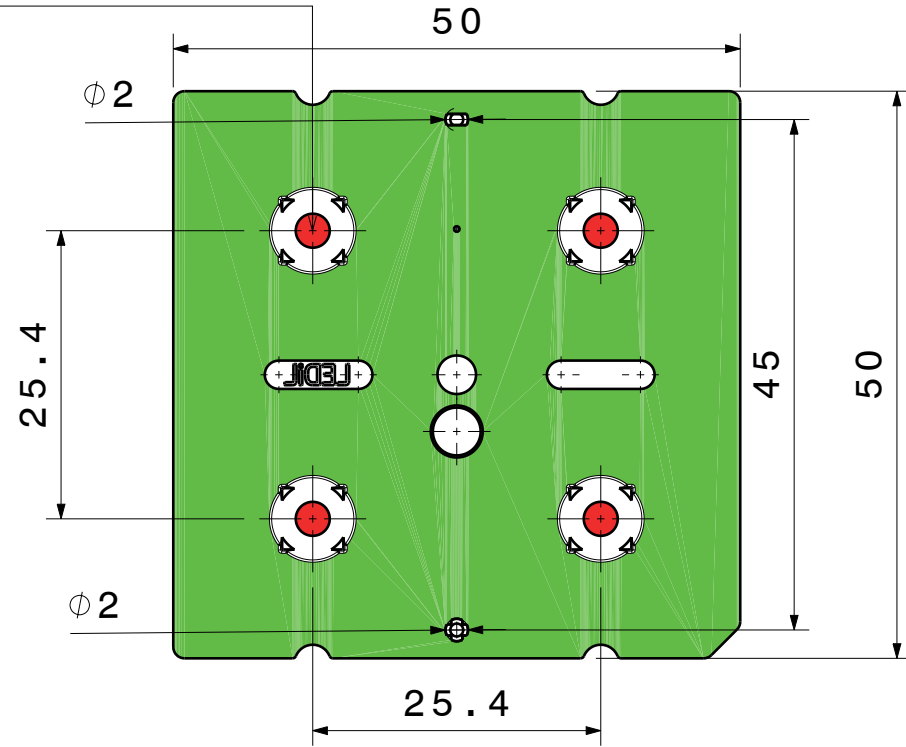
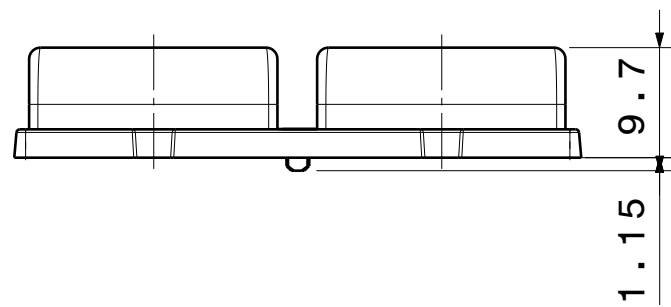
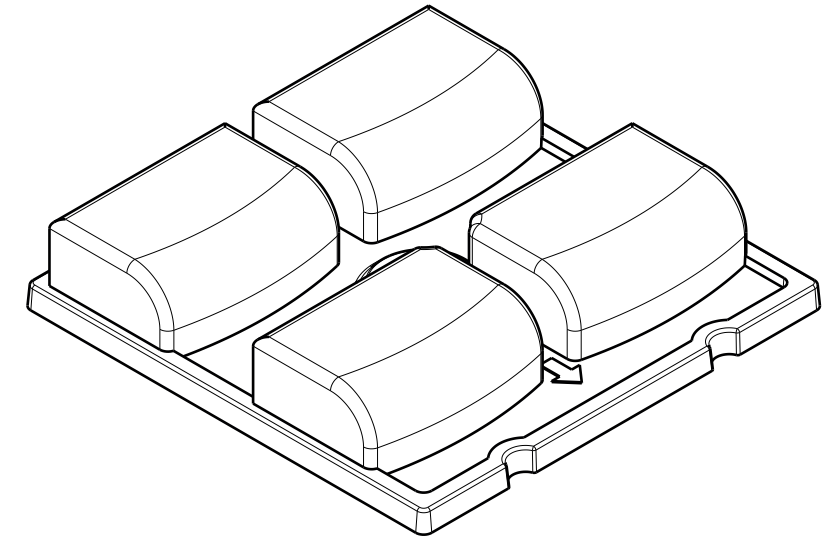


Led Location



Arrow indicates light direction



Notes

- PCB or heat sink level
 - Led location
- Ensure LED fitting from a product specific 3D model available from www.ledil.com

COMPONENTS

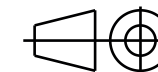
INDEX	PRODUCT	TYPE	MATERIAL	COLOUR/COATING
1	C16181_STRADA-2X2-ME-N	LENS	PMMA	CLEAR

MECHANICAL DRAWING

PRODUCT
C16181_STRADA-2X2-ME-N

Plastic moulding general tolerances according to DIN 16901-130 and applies if not otherwise shown in the drawing.
Silicone moulding general tolerances according to ISO 3302-1 Class M3 and applies if not otherwise shown in the drawing.

FIRST ANGLE PROJECTION:



LEDiL®

This drawing is the property of LEDiL Oy. It may not be reproduced, copied or communicated without a written agreement with LEDiL Oy.

SCALE	3:2	SIZE	A3	SHEET	1/2
-------	-----	------	----	-------	-----