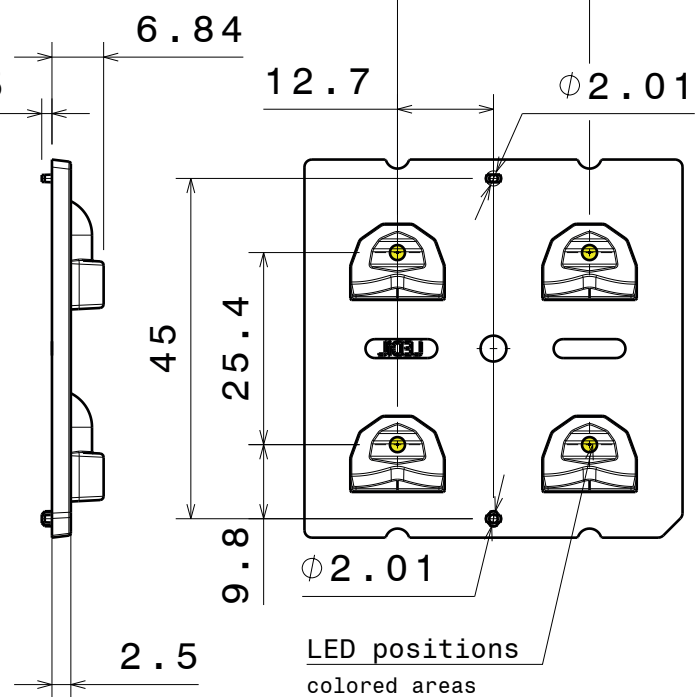
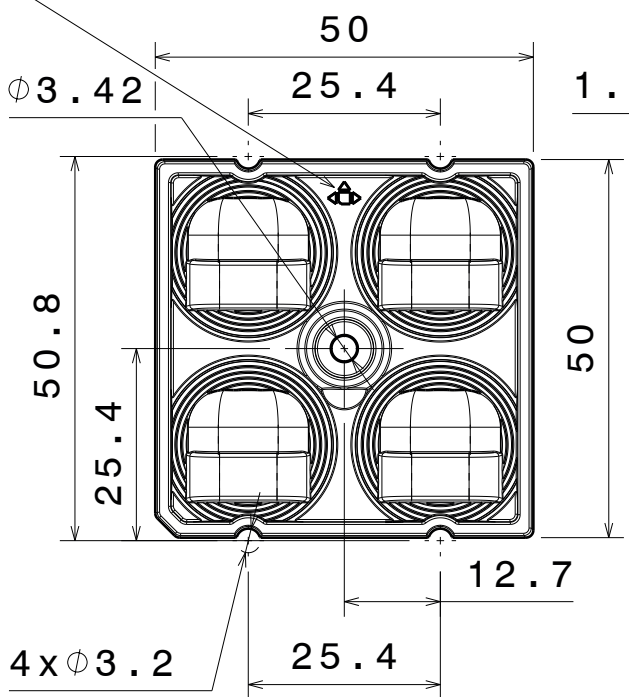


D C B A

4

Beam direction indication



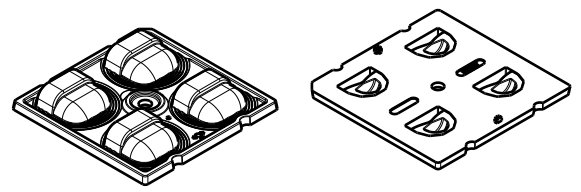
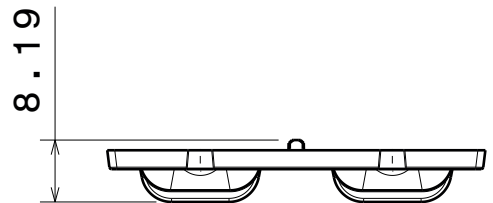
LED positions colored areas

3

3

2

2



Isometric views
Scale: 1:2

INDEX	PART NO	DESCRIPTION	MATERIAL	COLOUR
1	C16254	STRADA-2X2CSP-T4-B_Mechanicalmodel	PMMA 8N	clear

Plastic moulding general tolerances according to DIN 16901-130 and applies if not otherwise shown in the drawing.
Silicone moulding general tolerances according to ISO 3302-1 Class M3 and applies if not otherwise shown in the drawing.

LEDiL
LediL Oy
Salorankatu 10
FIN 24240 SALO
Finland

FIRST ANGLE PROJECTION:

DRAWING TITLE
C16254_STRADA-2X2CSP-T4-B_Mechanicalmodel

This drawing is the property of LEDiL Oy. It may not be reproduced, copied or communicated without a written agreement with LEDiL Oy.

SIZE	PART NUMBER
A4	C16254

SCALE	1:1	WEIGHT	7,02 g	SHEET	1/1
-------	-----	--------	--------	-------	-----

1

1

D A